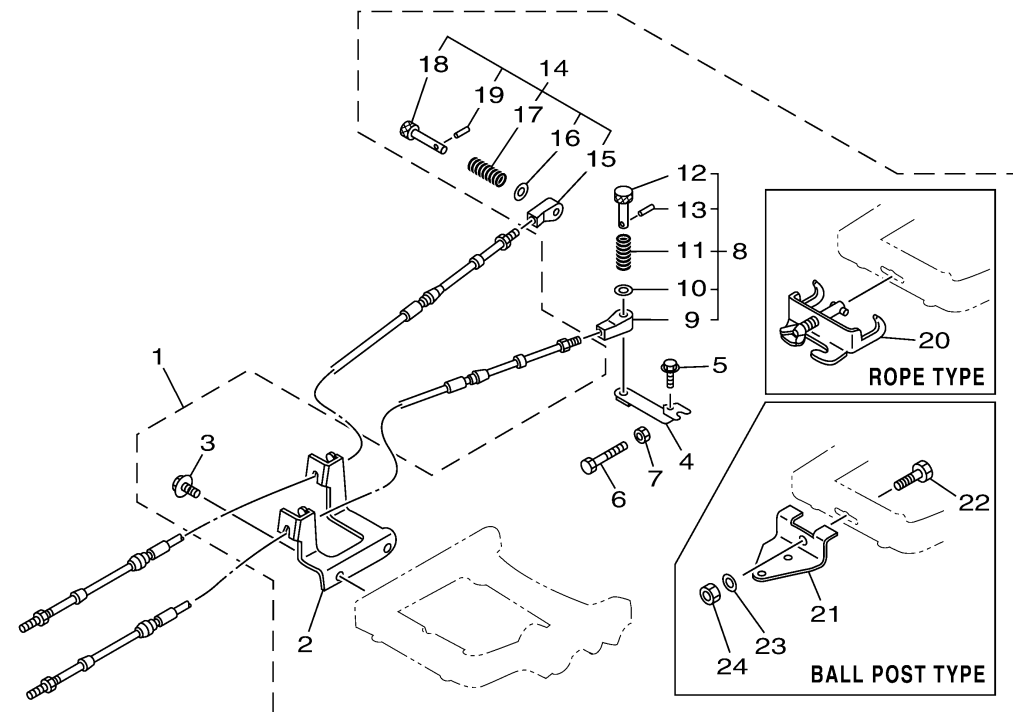


Part No.	Applicable model	Remarks
655-48501-03	E8D/EK8D	Rope type
655-48501-11	E8D/EK8D	Ball post type



## REMO CON ATTACHMENT 1

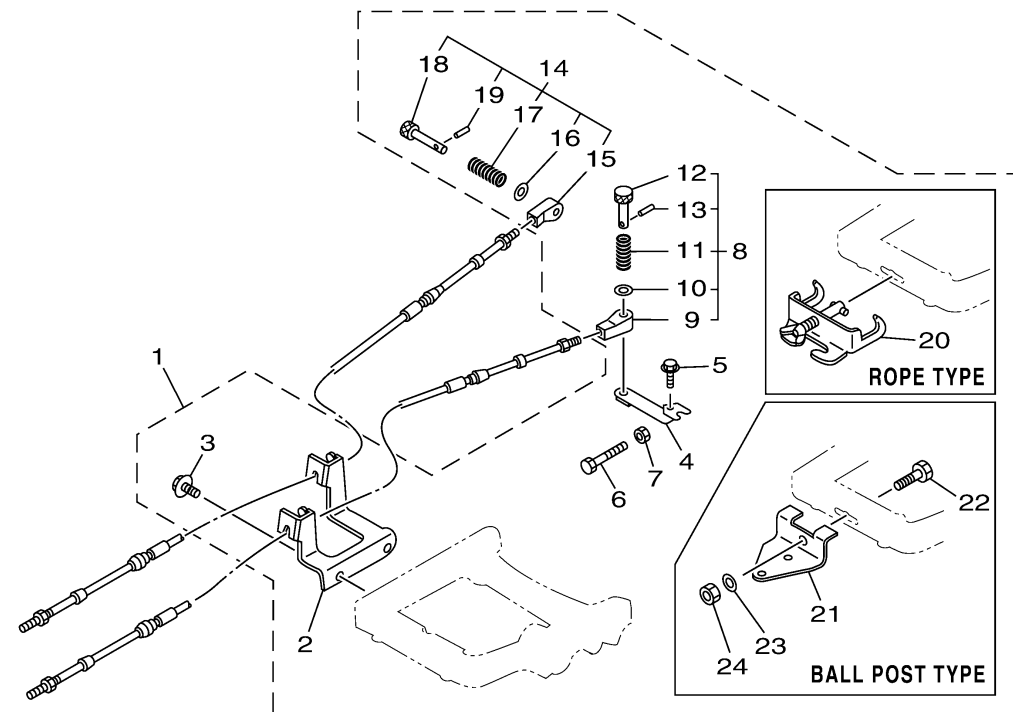
Ref No.	Part Number	Description	Qty	Remarks
1	655-48501-03-00	REMOTE CONT. ATTACHMENT ASSY.	1	UR ROPE TYPE
1	655-48501-11-00	REMOTE CONT. ATTACHMENT ASSY.	1	UR BALL POST TYPE
2	655-48531-51-00	. .BRACKET, REMOTE CONTROL 1	1	
3	97E95-06518-00	. .BOLT, HEXAGON W/W DEEP RECESS	2	
4	647-48534-50-00	. .THROTTLE LEVER, CONTROL	1	
5	97595-05520-00	. .BOLT, WITH WASHER	1	
6	97D95-06045-00	. .BOLT, HEXAGON DEEP RECESS	1	
7	95380-06600-00	. .NUT, HEXAGON	1	
8	647-48330-50-00	. .CABLE END ASSY	1	
9	617-48346-90-00	. . .CABLE END, REMOTE CONTROL	1	
10	92990-08600-00	. . .WASHER, PLATE	1	
11	90501-10071-00	. . .SPRING, COMPRESSION	1	
12	617-48331-91-00	. . .HOOK, CABLE	1	
13	91690-30012-00	. . .PIN, SPRING	1	
14	647-48340-50-00	. .CABLE END ASSY	1	
15	647-48346-50-00	. . .CABLE END, REMOTE CONTROL	1	
16	92990-08600-00	. . .WASHER, PLATE	1	
17	90501-10264-00	. . .SPRING, COMPRESSION	1	
18	617-48361-91-00	. . .HOOK, CABLE	1	
19	91690-30012-00	. . .PIN, SPRING	1	

CONTINUED ON NEXT FRAME >



601R10R-T480

Part No.	Applicable model	Remarks
655-48501-03	E8D/EK8D	Rope type
655-48501-11	E8D/EK8D	Ball post type



## REMO CON ATTACHMENT 1

Ref No.	Part Number	Description	Qty	Remarks
20	700-48510-12-00	. STEERING HOOK ASSY	1	UR ROPE TYPE
21	676-48511-10-00	. HOOK, STEERING	1	UR BALL POST TYPE
22	97D75-10040-00	. BOLT, HEXAGON DEEP RECESS	1	
23	92990-10600-00	. WASHER, PLATE	1	
24	90185-10027-00	. NUT, SELF-LOCKING	1	



601R10R-T480