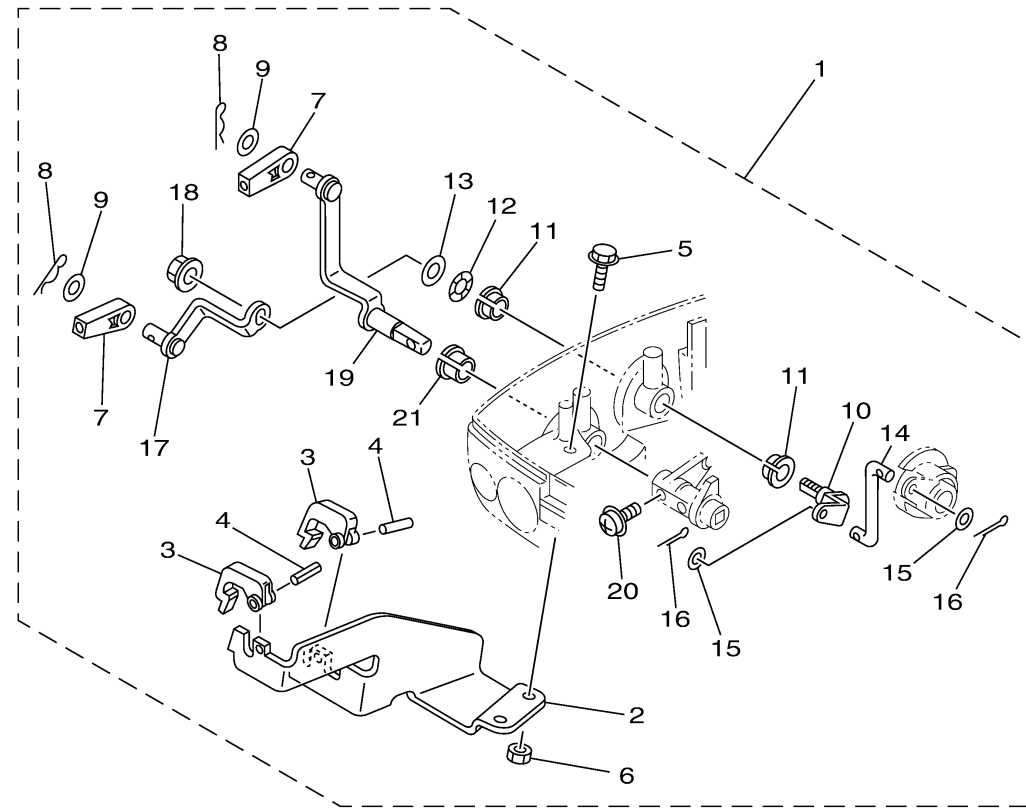


REMO CON ATTACHMENT 2

Part No.	Applicable model
63V-48501-00	9.9F, 9.9G, 15F



Ref No.	Part Number	Description	Qty	Remarks
1	63V-48501-00-00	REMOTE CONT. ATTACHMENT ASSY.	1	
2	63V-48531-00-00	. .BRACKET, REMOTE CONTROL 1	1	
3	682-48538-50-00	. .CLAMP, CABLE 1	2	
4	91690-30012-00	. .PIN, SPRING	2	
5	97595-06516-00	. .BOLT, WITH WASHER	2	
6	95380-06600-00	. .NUT, HEXAGON	2	
7	6FM-48344-00-00	. .CABLE END, REMOTE CONTROL	2	
8	90468-18008-00	. .CLIP	2	
9	90201-08M12-00	. .WASHER, PLATE	2	
10	63V-42154-00-00	. .LEVER, THROTTLE CONTROL	1	
11	90386-10025-00	. .BUSH	2	
12	90206-10M04-00	. .WASHER, WAVE	1	
13	90201-10M02-00	. .WASHER, PLATE	1	
14	63V-42192-00-00	. .ROD 2	1	
15	90201-04M06-00	. .WASHER, PLATE	2	
16	91490-20010-00	. .PIN. COTTER	2	
17	63V-48534-00-00	. .THROTTLE LEVER, CONTROL	1	
18	95780-08300-00	. .NUT, FLANGE	1	
19	63V-48544-00-00	. .LEVER, SHIFTCONTROL	1	
20	90159-05M25-00	. .SCREW, WITH WASHER	1	

CONTINUED ON NEXT FRAME >

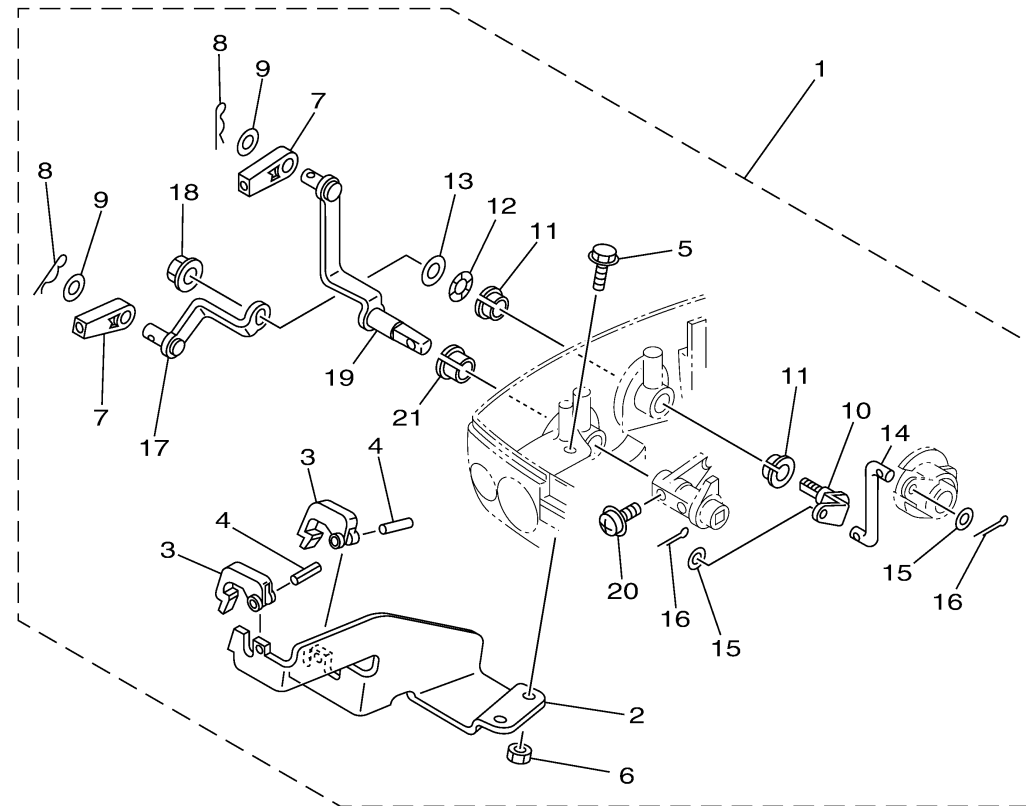


601R10R-S490

REMO CON ATTACHMENT 2

Part No.	Applicable model
63V-48501-00	9.9F, 9.9G, 15F

Ref No.	Part Number	Description	Qty	Remarks
21	90386-10009-00	.BUSH	1	



601R10R-S490