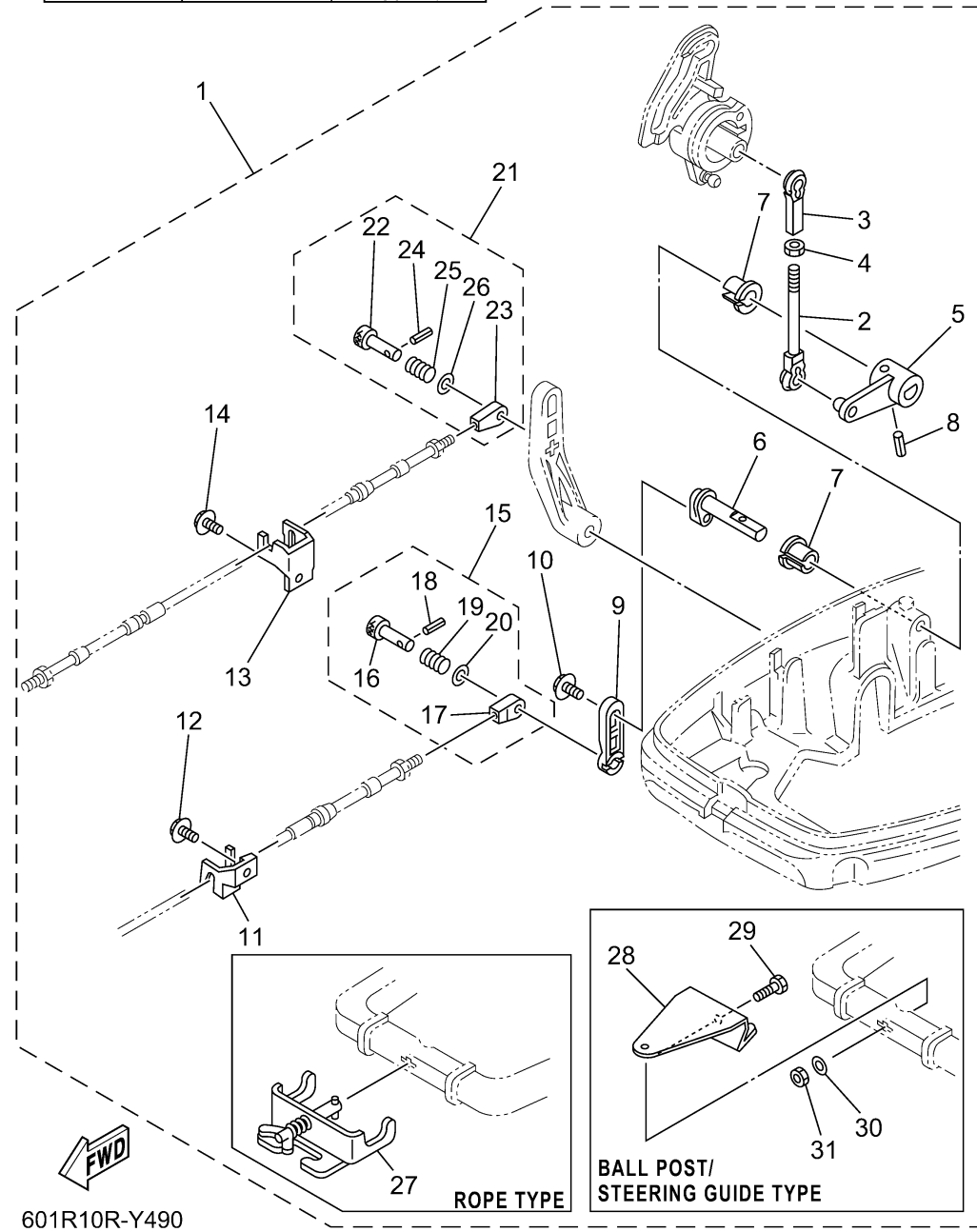


REMO CON ATTACHMENT 3

Part No.	Applicable model	Remarks
69R-48501-12	25B, 30H	Rope type
69R-48501-02	E25B, E30H	Ball post/ Steering guide type

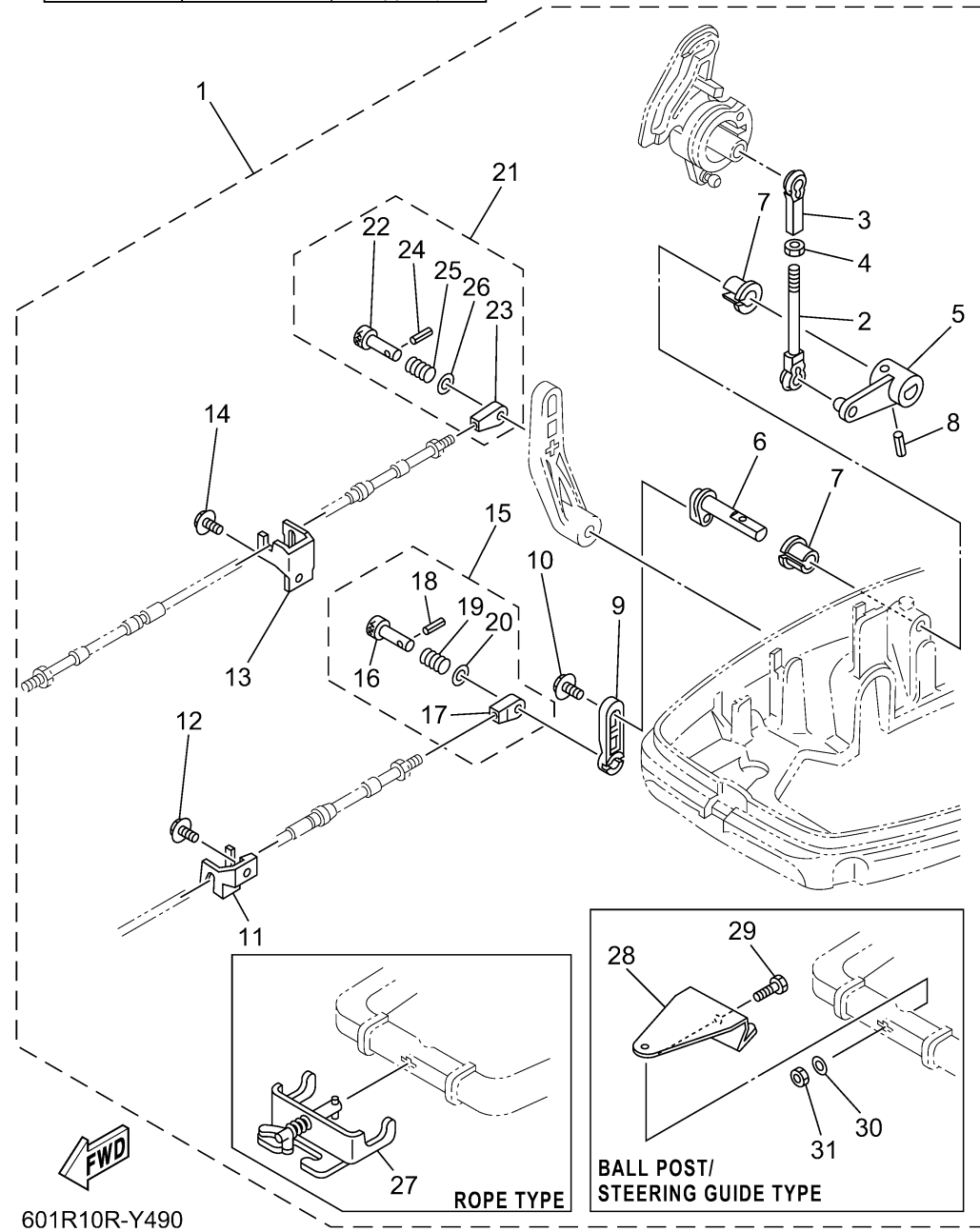


Ref No.	Part Number	Description	Qty	Remarks
1	69R-48501-12-00	REMOTE CONT. ATTACHMENT ASSY.	1	UR ROPE TYPE
1	69R-48501-02-00	REMOTE CONT. ATTACHMENT ASSY.	1	UR
2	682-41238-01-00	..JOINT, LINK	1	
3	682-41237-00-00	..JOINT, LINK	1	
4	95380-05600-00	..NUT	1	
5	69S-42157-10-00	..LEVER, THROTTLE	1	
6	656-42153-10-8D	..SHAFT, THROTTLE CONTROL	1	
7	90386-10009-00	..BUSH	2	
8	91690-40018-00	..PIN, SPRING	1	
9	648-48534-50-8D	..THROTTLE LEVER, CONTROL	1	
10	97595-06512-00	..BOLT, WITH WASHER	1	
11	689-48532-52-00	..BRACKET, REMOTE CONTROL 2	1	
12	97E95-06516-00	..BOLT, HEXAGON W/W DEEP RECESS	1	
13	689-48531-52-00	..BRACKET, REMOTE CONTROL 1	1	
14	97E95-06516-00	..BOLT, HEXAGON W/W DEEP RECESS	1	
15	648-48340-50-00	..CABLE END ASSY	1	
16	617-48361-91-00	...HOOK, CABLE	1	
17	617-48346-90-00	...CABLE END, REMOTE CONTROL	1	
18	91690-30012-00	...PIN, SPRING	1	
19	90501-10264-00SPRING, COMPRESSION	1	

CONTINUED ON NEXT FRAME >

REMO CON ATTACHMENT 3

Part No.	Applicable model	Remarks
69R-48501-12	25B, 30H	Rope type
69R-48501-02	E25B, E30H	Ball post/ Steering guide type



601R10R-Y490

Ref No.	Part Number	Description	Qty	Remarks
20	92990-08600-00	. . . WASHER, PLATE	1	
21	648-48330-50-00	. . . CABLE END ASSY	1	
22	617-48331-91-00 HOOK, CABLE	1	
23	648-48346-50-00 CABLE END, REMOTE CONTROL	1	
24	91690-30012-00 PIN, SPRING	1	
25	90501-10071-00 SPRING, COMPRESSION	1	
26	92990-08600-00	. . . WASHER, PLATE	1	
27	700-48510-12-00	. STEERING HOOK ASSY	1	ROPE TYPE
28	689-48511-02-00	. HOOK, STEERING	1	
29	97D75-10040-00	. BOLT, HEXAGON DEEP RECESS	1	
30	92995-10600-00	. . WASHER	1	
31	90185-10027-00	. NUT, SELF-LOCKING	1	