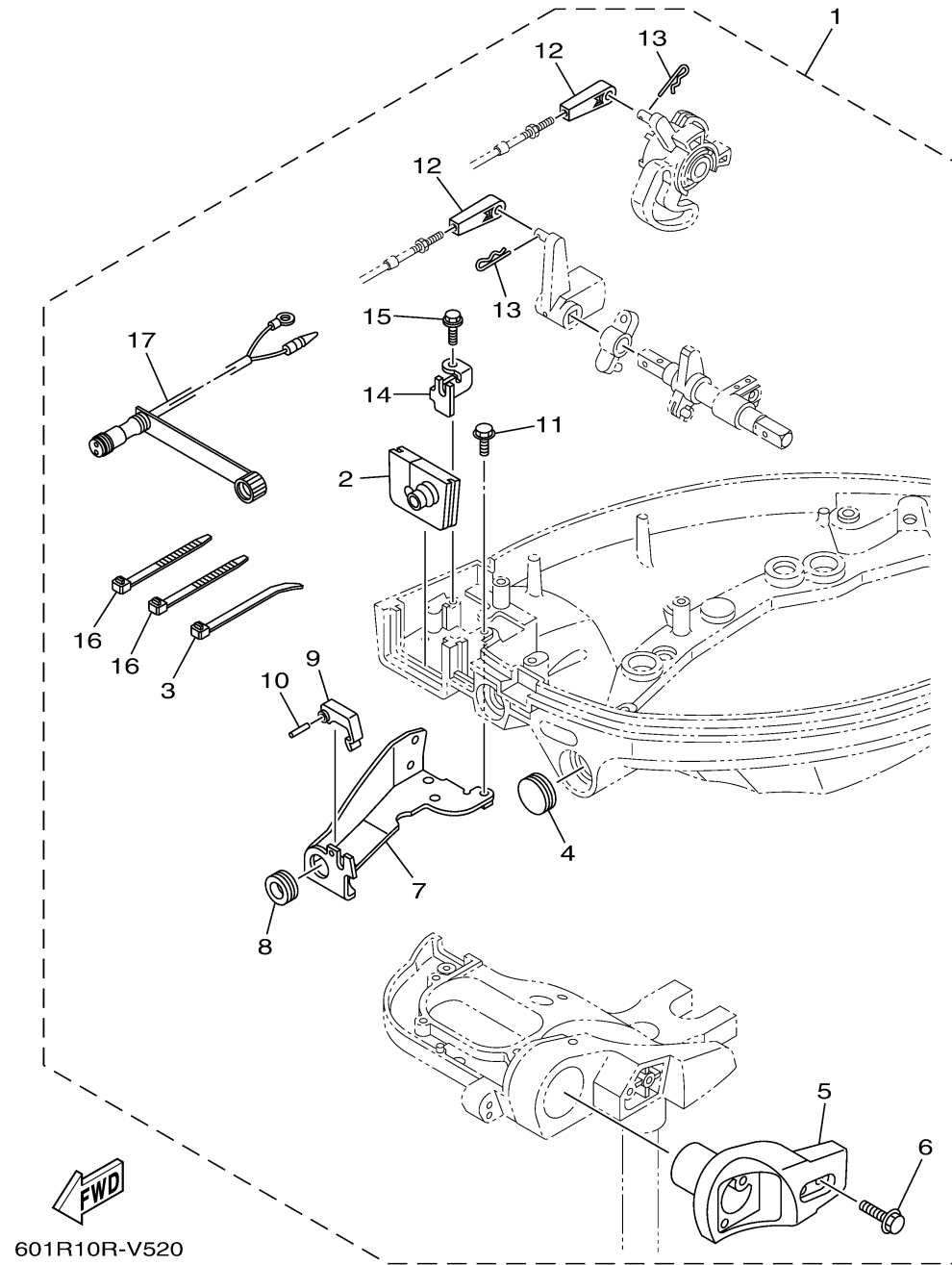


Part No.	Applicable model
6AH-48501-02	F15C, F20B



REMO CON ATTACHMENT 6

Ref No.	Part Number	Description	Qty	Remarks
1	6AH-48501-02-00	REMOTE CONT. ATTACHMENT ASSY.	1	
2	6AH-42724-11-00	.GROMMET	1	
3	90465-11M10-00	.CLAMP	1	
4	65W-42726-11-00	.GROMMET	1	
5	6AH-83773-00-00	.BRACKET, SWITCH	1	
6	97E95-06530-00	.BOLT, HEXAGON W/W DEEP RECESS	2	
7	6AH-48532-00-00	.BRACKET, REMOTE CONTROL 2	1	
8	90480-19031-00	.GROMMET	1	
9	682-48538-50-00	.CLAMP, CABLE 1	1	
10	91690-30012-00	.PIN, SPRING	1	
11	97E95-06514-00	.BOLT, HEXAGON W/W DEEP RECESS	2	
12	6FM-48344-00-00	.CABLE END, REMOTE CONTROL	2	
13	90468-18008-00	.CLIP	2	
14	6AH-48531-00-00	.BRACKET, REMOTE CONTROL 1	1	
15	90109-06M86-00	.BOLT	1	
16	90465-13M18-00	.CLAMP	2	
17	6D5-84340-01-00	.SOCKET CORD ASSY 1	1	