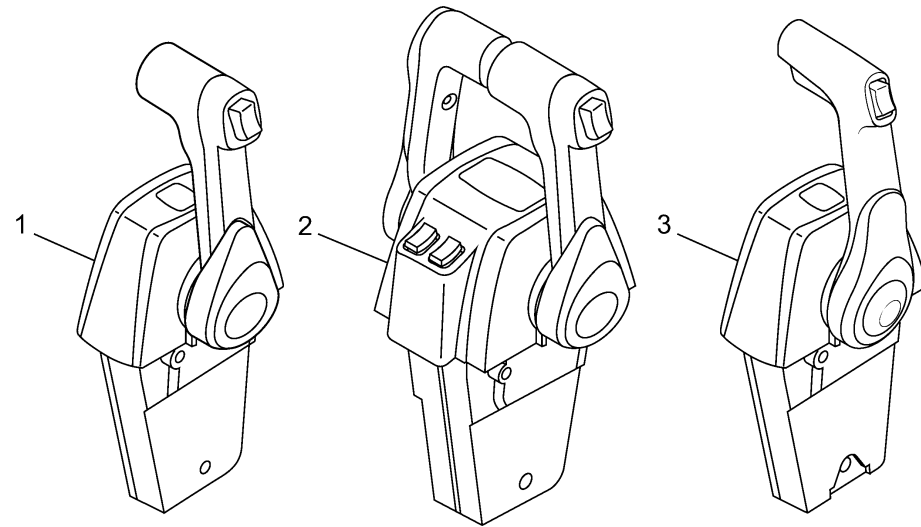
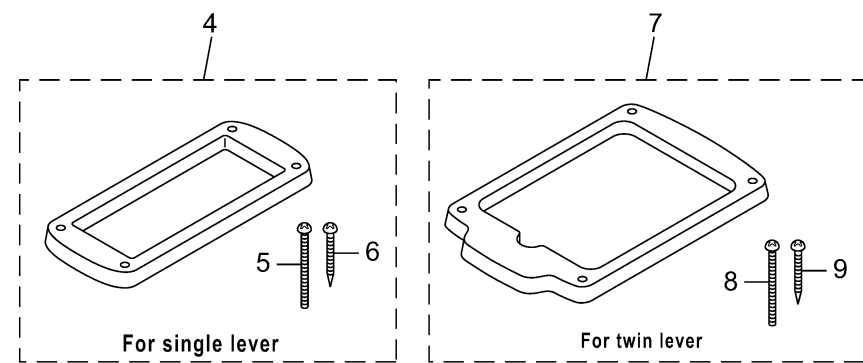


704 REMOTE CONTROL

| Part No. | Throttle | | PTT | Lever | | | Remarks |
|--------------|----------|------|-----|-------|---|------|-------------------|
| | Push | Pull | | R | L | Twin | |
| 704-48205-R2 | 1 | | 1 | | 1 | | |
| 704-48206-R2 | 1 | | 1 | 1 | | | |
| 704-48207-R2 | 1 | | 1 | | | 1 | |
| 704-48205-T0 | 1 | | 1 | 1 | | | With neutral lock |



| Part No. | Remarks |
|--------------|--------------------------|
| 704-48293-40 | Single |
| 704-48293-60 | Single with neutral lock |
| 704-48293-50 | Twin |



601R10R-Y020

REMOTE CONTROL BOX 2

| Ref No. | Part Number | Description | Qty | Remarks |
|---------|-----------------|---------------------------|-----|------------------|
| 1 | 704-48205-R2-00 | REMOTE CONTROL ASSY (R/H) | 1 | UR WITH PT/T SW. |
| 1 | 704-48206-R2-00 | REMOTE CONTROL ASSY (L/H) | 1 | UR WITH PT/T SW. |
| 2 | 704-48207-R2-00 | REMOTE CONTROL ASSY | 1 | WITH PT/T SW. |
| 3 | 704-48205-T0-00 | REMOTE CONTROL ASSY (R/H) | 1 | WITH PT/T SW. |
| 4 | 704-48293-60-00 | SPACER, REMOTE CONTROL | 1 | FOR SINGLE |
| 4 | 704-48293-40-00 | SPACER, REMOTE CONTROL | 1 | FOR SINGLE |
| 5 | 98580-05060-00 | . .SCREW, PAN HEAD | 4 | |
| 6 | 97780-50145-00 | . .SCREW, TAPPING | 4 | |
| 7 | 704-48293-50-00 | SPACER, REMOTE CONTROL | 1 | FOR TWIN |
| 8 | 98580-05060-00 | . .SCREW, PAN HEAD | 4 | |
| 9 | 97780-50145-00 | . .SCREW, TAPPING | 4 | |