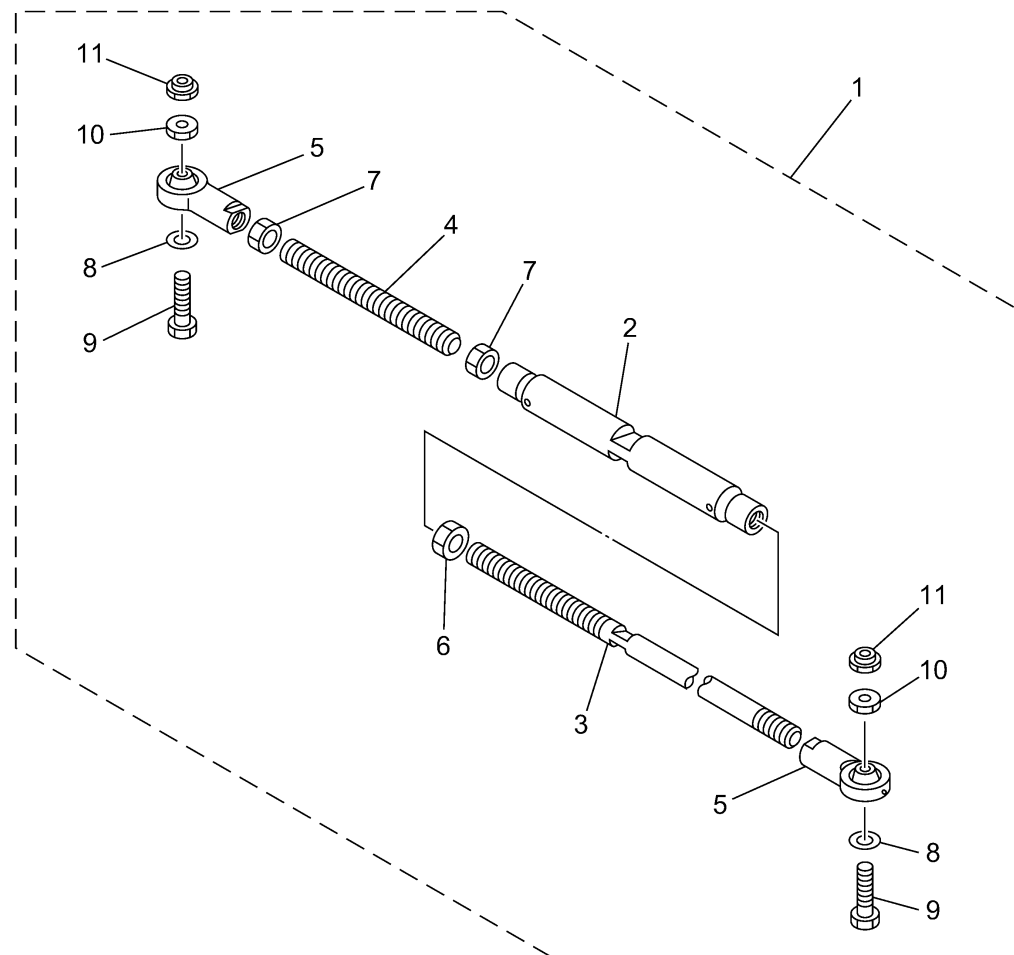


STEERING GUIDE 7

Part No.	Applicable model
6E5-61310-00	40 and larger, F30 – F300 (V6)

Twin engine tie-bar kit
Adjustable distance : 600 mm (23.6 in.) – 800 mm (31.5 in.)



Ref No.	Part Number	Description	Qty	Remarks
1	6E5-61310-00-00	TIE BAR ASSY (L:600-800MM)	1	
2	6E5-61313-00-00	..ADJUSTER	1	
3	6E5-61311-11-00	..TIE BAR	1	
4	6E5-61315-00-00	..TIE BAR	1	
5	6E5-61303-00-00	..STEERING AXLE COMP.	2	
6	90170-14M06-00	..NUT	1	
7	95380-14700-00	..NUT	2	
8	90201-10M76-00	..WASHER, PLATE	2	
9	90101-09M70-00	..BOLT	2	
10	90170-09M05-00	..NUT	2	
11	90185-09M01-00	..NUT, SELF-LOCKING	2	

601R10R-Y640