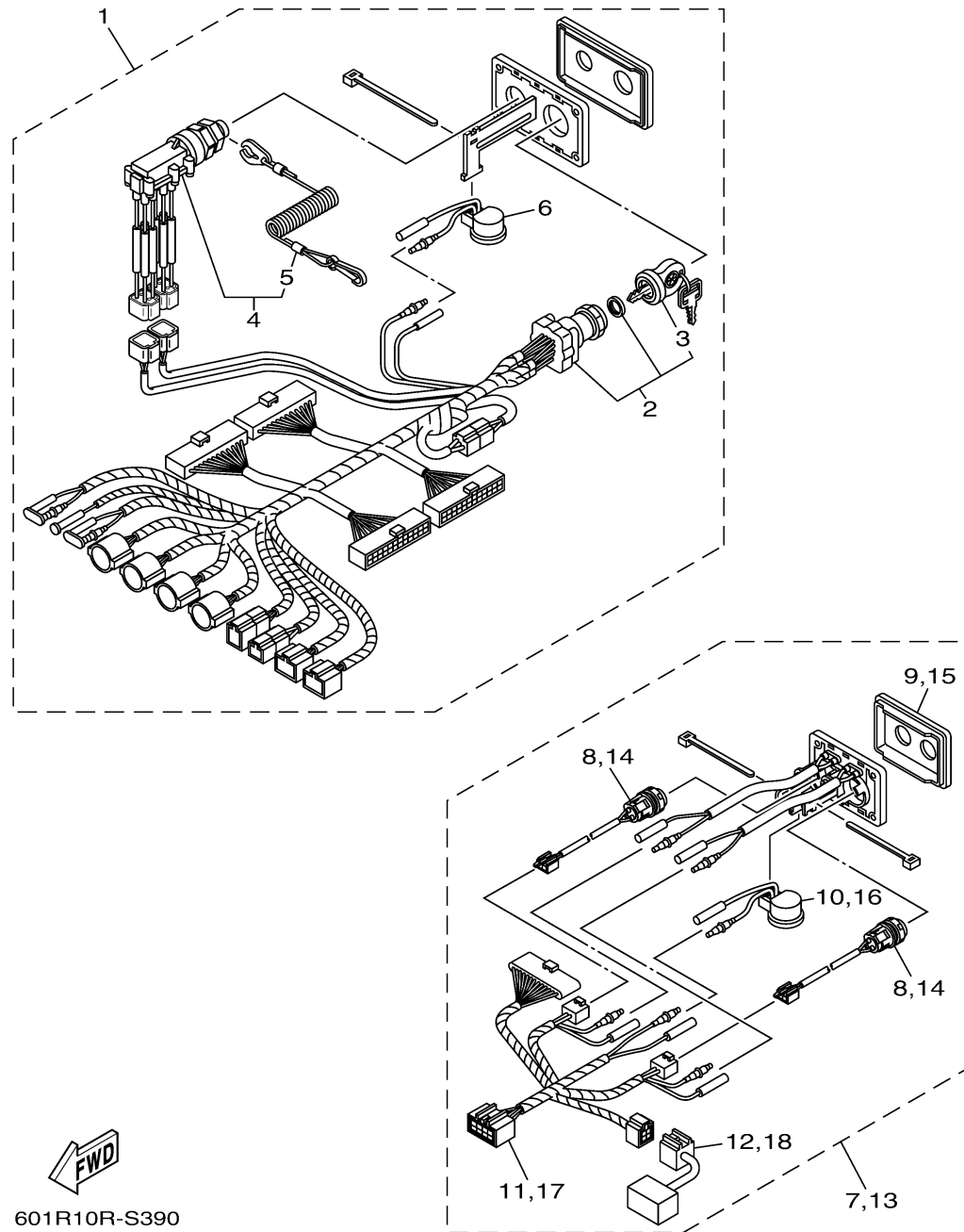


DIGITAL NETWORK SYSTEM-6Y9
(QUAD : 1 & 2 STATION-MAIN)

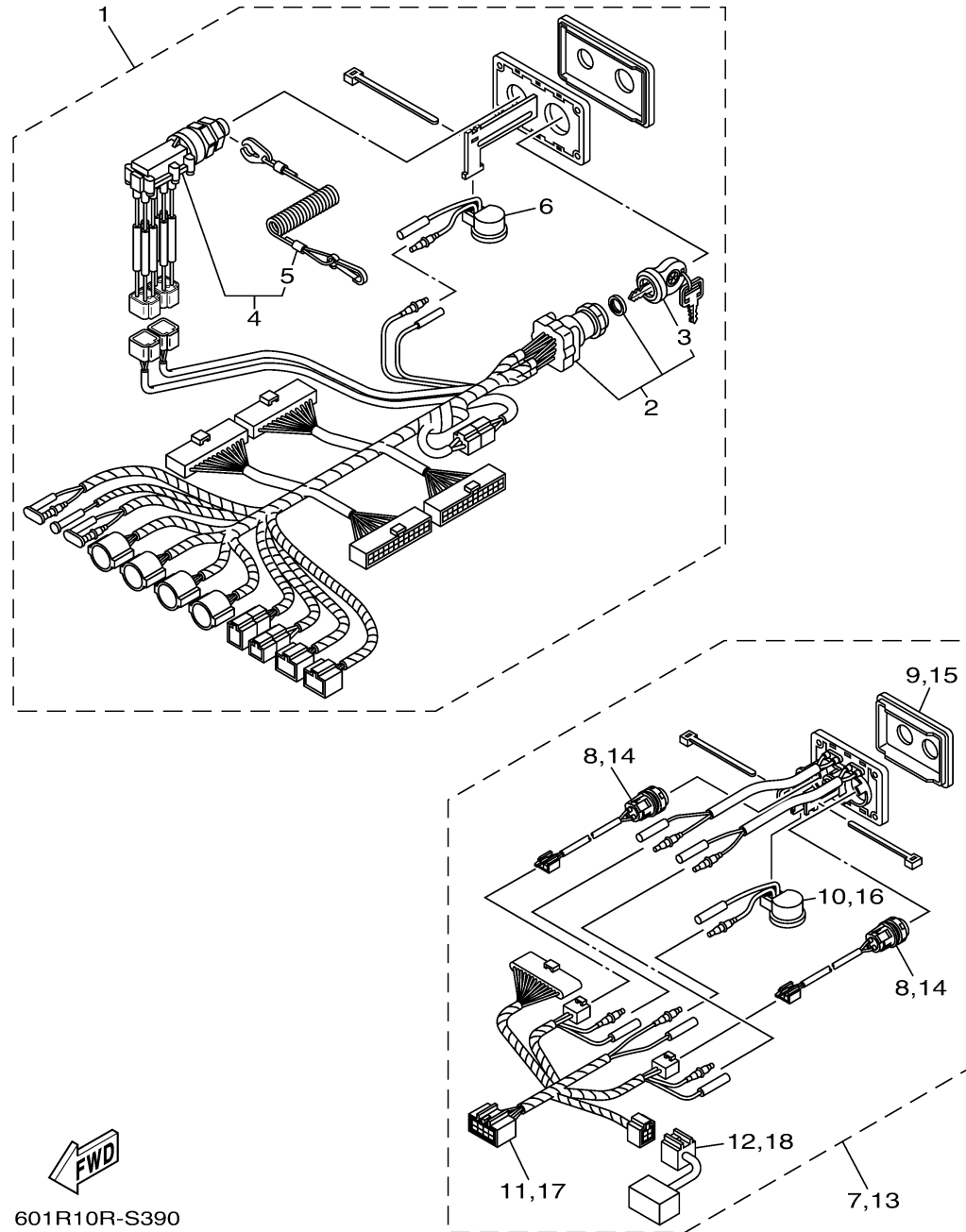


SWITCH & PANEL 16

| Ref No. | Part Number | Description | Qty | Remarks |
|---------|-----------------|-------------------------------|-----|--------------------|
| 1 | 6X6-82570-G1-00 | PANEL SWITCH ASSY | 1 | 1 & 2 STATION MAIN |
| 2 | 6X6-82510-41-00 | ..MAIN SWITCH ASSY | 1 | |
| 3 | 6X6-82511-09-A1 | ..KEY, MAIN SWITCH | 1 | UR |
| 3 | 6X6-82511-09-A2 | ..KEY, MAIN SWITCH | 1 | UR |
| 3 | 6X6-82511-09-A3 | ..KEY, MAIN SWITCH | 1 | UR |
| 3 | 6X6-82511-09-A4 | ..KEY, MAIN SWITCH | 1 | UR |
| 3 | 6X6-82511-09-A5 | ..KEY, MAIN SWITCH | 1 | UR |
| 3 | 6X6-82511-09-A6 | ..KEY, MAIN SWITCH | 1 | UR |
| 3 | 6X6-82511-09-A7 | ..KEY, MAIN SWITCH | 1 | UR |
| 3 | 6X6-82511-09-A8 | ..KEY, MAIN SWITCH | 1 | UR |
| 3 | 6X6-82511-09-A9 | ..KEY, MAIN SWITCH | 1 | UR |
| 4 | 6ES-82575-10-00 | ..ENGINE STOP SWITCH ASSY | 1 | |
| 5 | 682-82556-00-00 | .. LANYARD, STOP SWITCH | 1 | |
| 6 | 703-83383-A0-00 | ..BUZZER | 1 | |
| 7 | 6X6-82570-J0-00 | PANEL SWITCH ASSY (PORT-P/CP) | 1 | 1 & 2 STATION MAIN |
| 8 | 6X6-8259E-20-00 | ..SWITCH ASSY | 2 | |
| 9 | 6X6-82571-80-00 | ..PANEL, SWITCH | 1 | |
| 10 | 703-83383-A0-00 | ..BUZZER | 1 | |
| 11 | 6X6-82716-40-00 | ..CORD SWITCH | 1 | |
| 12 | 6X6-81980-00-00 | ..DIODE ASSY | 1 | |

CONTINUED ON NEXT FRAME >

DIGITAL NETWORK SYSTEM-6Y9
(QUAD : 1 & 2 STATION-MAIN)



SWITCH & PANEL 16

| Ref No. | Part Number | Description | Qty | Remarks |
|---------|-----------------|-------------------------------|-----|--------------------|
| 13 | 6X6-82570-K0-00 | PANEL SWITCH ASSY (STBD-CS/S) | 1 | 1 & 2 STATION MAIN |
| 14 | 6X6-8259E-20-00 | . .SWITCH ASSY | 2 | |
| 15 | 6X6-82571-90-00 | . .PANEL, SWITCH | 1 | |
| 16 | 703-83383-A0-00 | . .BUZZER | 1 | |
| 17 | 6X6-82716-40-00 | . .CORD SWITCH | 1 | |
| 18 | 6X6-81980-00-00 | . .DIODE ASSY | 1 | |