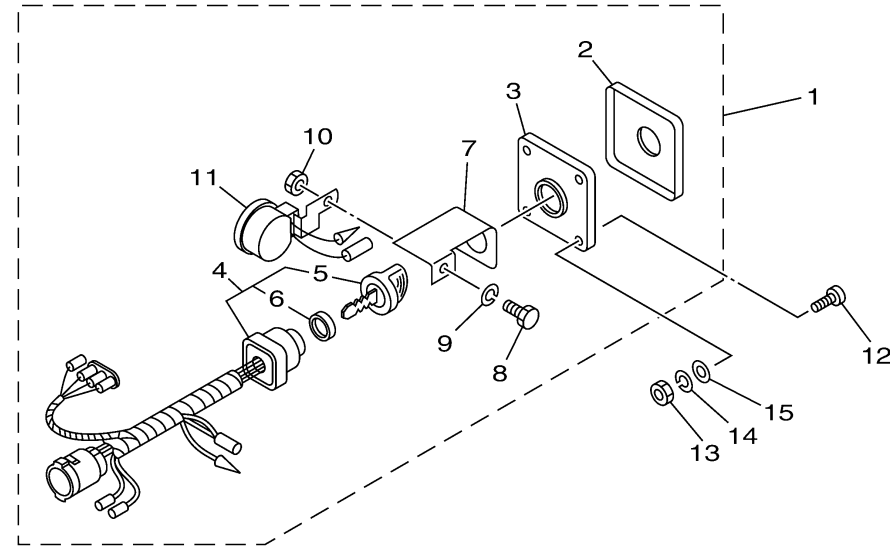


SWITCH & PANEL 18

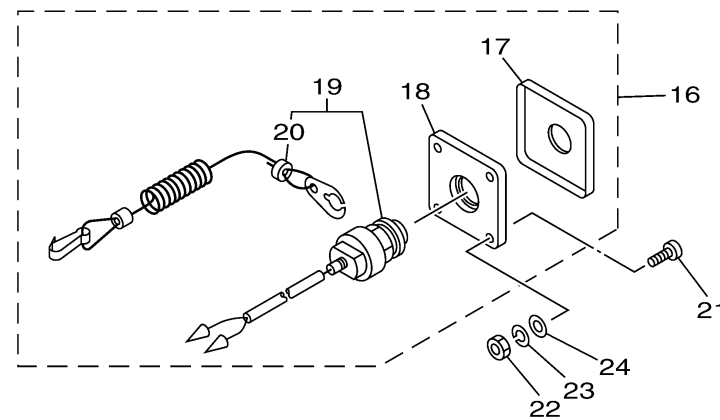
IG SWITCH W/ PANEL

Part No.	Remarks
64D-82570-06	With bullet connectors for emergency stop switch
64D-82570-23	With 2-pin coupler for emergency stop switch, For 6X9 FLUSH SIDE MOUNT RC



EMERGENCY STOP SWITCH W/ PANEL

Part No.	Remarks
64D-82570-11	With bullet connectors for stop switch
64D-82570-31	With 2-pin coupler for stop switch



601R10R-W410

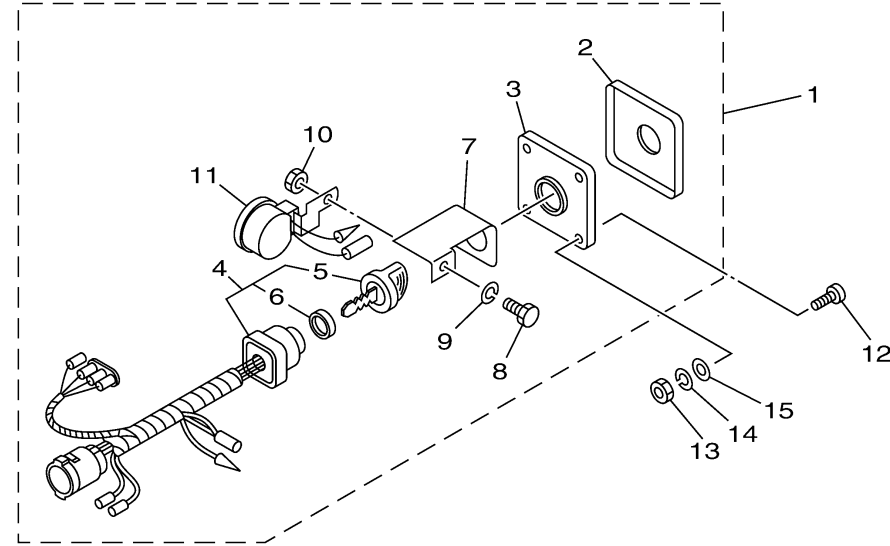
Ref No.	Part Number	Description	Qty	Remarks
1	64D-82570-06-00	PANEL SWITCH ASSY	1	UR
1	64D-82570-23-00	PANEL SWITCH ASSY	1	UR
2	64D-82571-00-00	..PANEL, SWITCH	1	
3	64D-82588-00-00	..PLATE	1	
4	64D-82510-05-00	..MAIN SWITCH ASSY	1	FOR 64D-82570-06
4	64D-82510-21-00	..MAIN SWITCH ASSY	1	FOR 64D-82570-23
5	703-82577-00-00	...CAP, KEY	1	
6	6K1-82532-00-00	...CAP	1	
7	64D-82581-00-00	..STAY, CORD CLAMP	1	
8	97303-05012-00	..BOLT	1	
9	92903-05100-00	..WASHER, SPRING	1	
10	95303-05700-00	..NUT	1	
11	688-83383-12-00	..BUZZER	1	
12	90149-05M05-00	SCREW	4	
13	95380-05600-00	..NUT	4	
14	92990-05100-00	WASHER, SPRING	4	
15	92990-05600-00	WASHER, PLAIN	4	
16	64D-82570-11-00	PANEL SWITCH ASSY	1	UR
16	64D-82570-31-00	PANEL SWITCH ASSY	1	UR
17	64D-82571-10-00	..PANEL, SWITCH	1	

CONTINUED ON NEXT FRAME >

SWITCH & PANEL 18

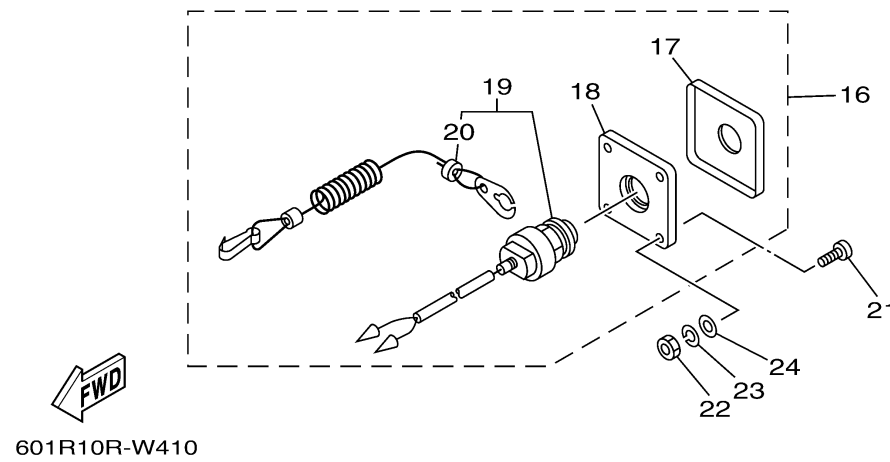
IG SWITCH W/ PANEL

Part No.	Remarks
64D-82570-06	With bullet connectors for emergency stop switch
64D-82570-23	With 2-pin coupler for emergency stop switch, For 6X9 FLUSH SIDE MOUNT RC



EMERGENCY STOP SWITCH W/ PANEL

Part No.	Remarks
64D-82570-11	With bullet connectors for stop switch
64D-82570-31	With 2-pin coupler for stop switch



Ref No.	Part Number	Description	Qty	Remarks
18	64D-82588-10-00	. .PLATE	1	
19	64D-82575-01-00	. .ENGINE STOP SWITCH ASSY	1	FOR 64D-82570-11
19	64D-82575-11-00	. ENGINE STOP SWITCH ASSY	1	FOR 64D-82570-31
20	682-82556-00-00	. . LANYARD, STOP SWITCH	1	
21	90149-05M05-00	SCREW	4	
22	95380-05600-00	.NUT	4	
23	92990-05100-00	WASHER, SPRING	4	
24	92990-05600-00	WASHER, PLAIN	4	