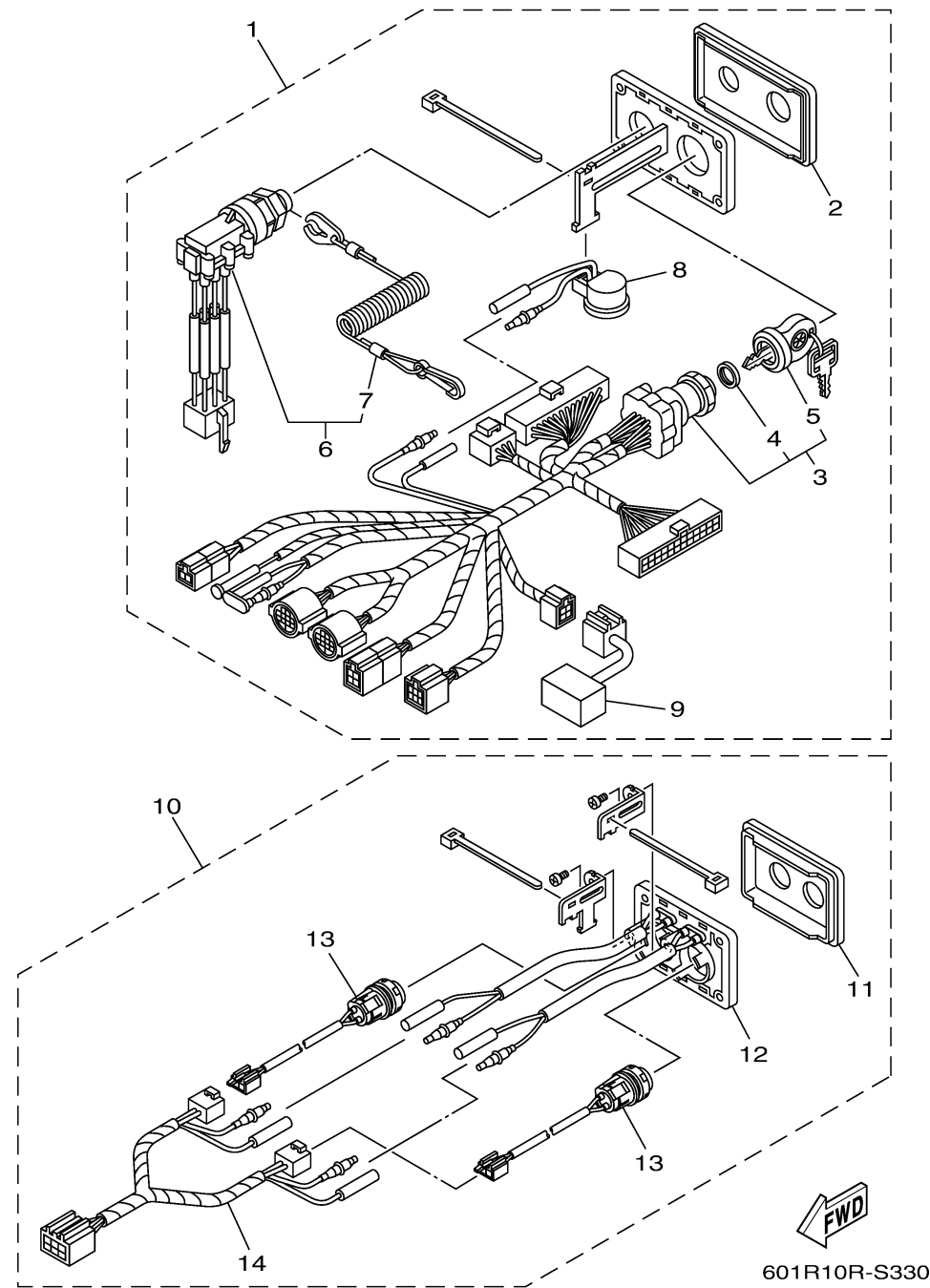


DIGITAL NETWORK SYSTEM-6Y9
(TWIN : 1 & 2 STATION-MAIN)

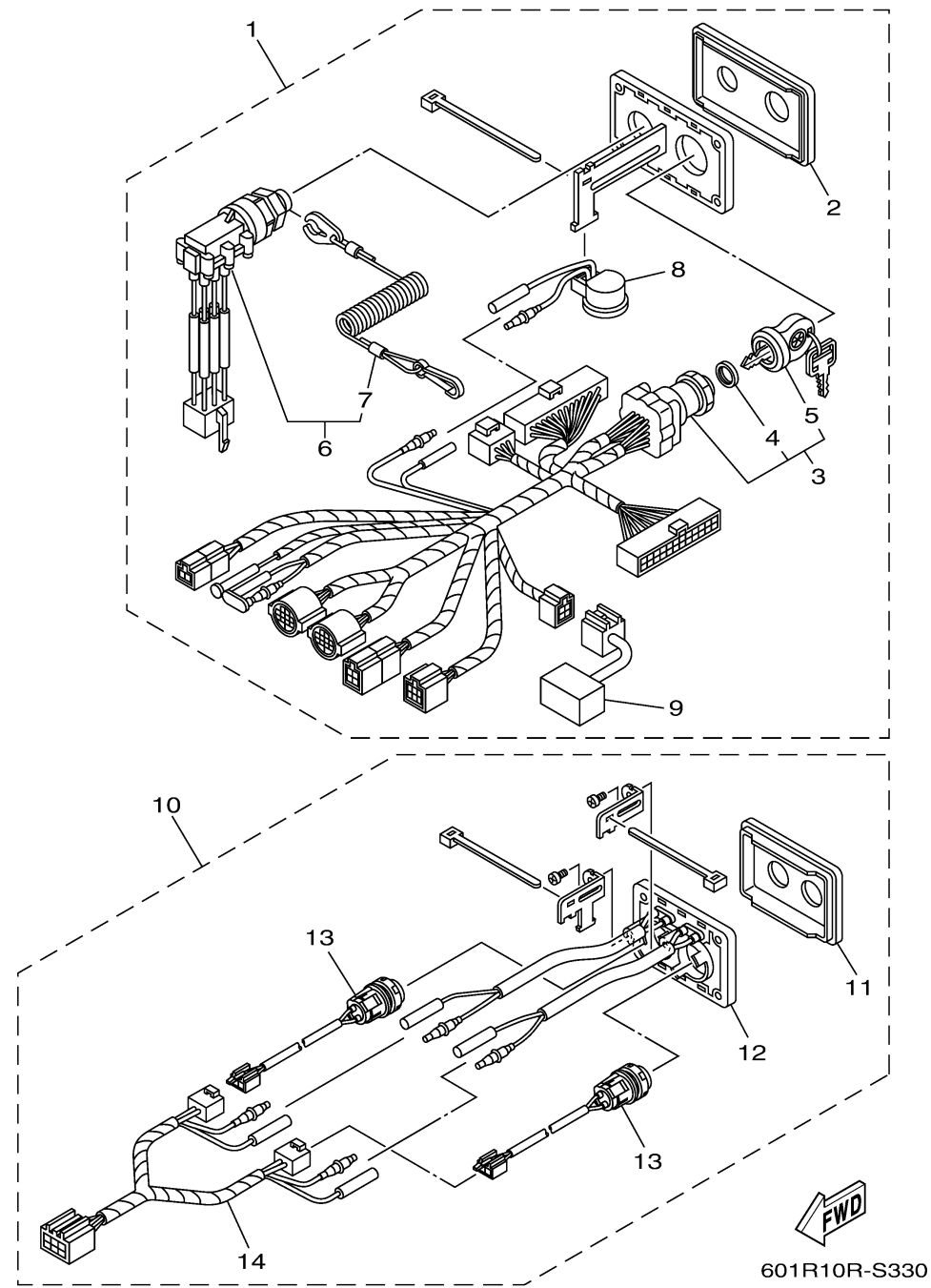


SWITCH & PANEL 9

Ref No.	Part Number	Description	Qty	Remarks
1	6X6-82570-41-00	PANEL SWITCH ASSY	1	1 & 2 STATION MAIN
2	6X6-82571-10-00	..PANEL, SWITCH	1	
3	6X6-82510-11-00	..MAIN SWITCH ASSY	1	
4	703-82532-00-00	...CAP	1	
5	6X6-82511-09-A1	...KEY, MAIN SWITCH	1	UR
5	6X6-82511-09-A2	...KEY, MAIN SWITCH	1	UR
5	6X6-82511-09-A3	...KEY, MAIN SWITCH	1	UR
5	6X6-82511-09-A4	...KEY, MAIN SWITCH	1	UR
5	6X6-82511-09-A5	...KEY, MAIN SWITCH	1	UR
5	6X6-82511-09-A6	...KEY, MAIN SWITCH	1	UR
5	6X6-82511-09-A7	...KEY, MAIN SWITCH	1	UR
5	6X6-82511-09-A8	...KEY, MAIN SWITCH	1	UR
5	6X6-82511-09-A9	...KEY, MAIN SWITCH	1	UR
6	6X6-82575-10-00	..ENGINE STOP SWITCH ASSY	1	
7	682-82556-00-00	.. LANYARD, STOP SWITCH	1	
8	703-83383-A0-00	..BUZZER	1	
9	6X6-81980-00-00	..DIODE ASSY	1	
10	6X6-82570-60-00	PANEL SWITCH ASSY	1	1 & 2 STATION MAIN
11	6X6-82571-20-00	..PANEL, SWITCH	1	
12	6X6-83720-00-00	..L.E.D ASS'Y	1	

CONTINUED ON NEXT FRAME >

DIGITAL NETWORK SYSTEM-6Y9
(TWIN : 1 & 2 STATION-MAIN)



SWITCH & PANEL 9

Ref No.	Part Number	Description	Qty	Remarks
13	6X6-8259E-20-00	..SWITCH ASSY	2	
14	6X6-82716-00-00	..CORD SWITCH	1	