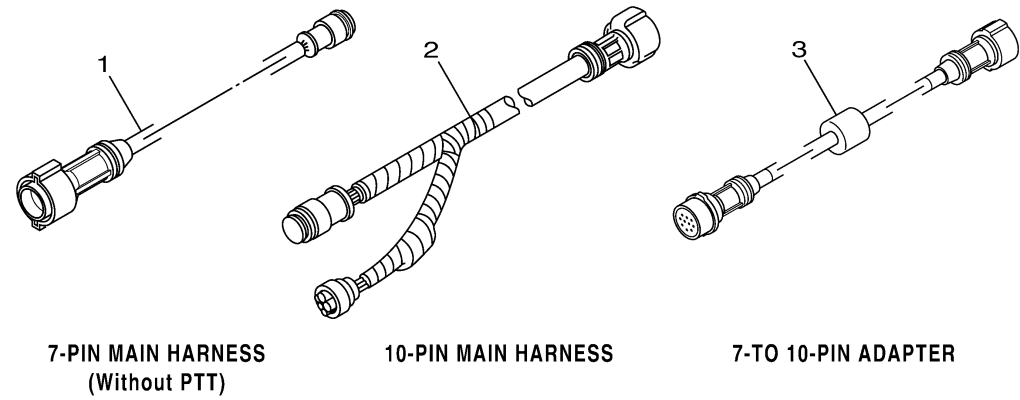
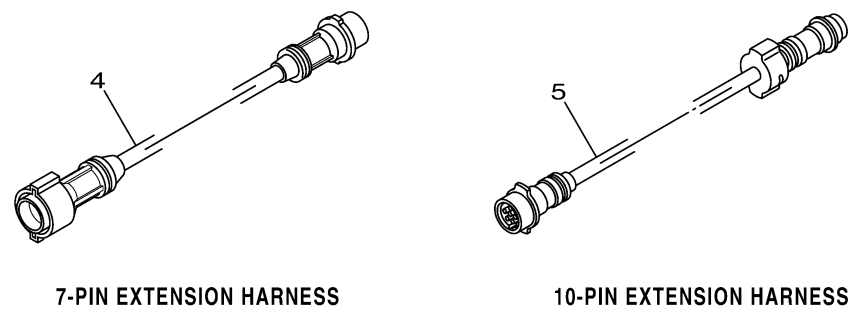


SWITCH PANEL HARNESS



MAIN HARNESS EXTENSION



601R10R-W440

WIRE HARNESS 1

Ref No.	Part Number	Description	Qty	Remarks
1	688-82586-51-00	EXTENSION, WIRE HARNESS	1	
2	6K1-8258A-41-00	EXTENSION, WIRE HARNESS (8M)	1	UR (10P)
2	61B-8258A-02-00	EXTENSION, WIRE HARNESS (9.5M)	1	UR (10P)
2	688-8258A-50-00	EXTENSION, WIRE HARNESS (5M)	1	UR (10P)
2	688-8258A-60-00	EXTENSION, WIRE HARNESS (6M)	1	UR (10P)
2	688-8258A-70-00	EXTENSION, WIRE HARNESS (7M)	1	UR (10P)
3	703-8258A-01-00	EXTENSION, WIRE HARNESS (0.5M)	1	7P TO 10P ADAPTER
4	688-82586-12-00	EXTENSION, WIRE HARNESS (2.0M)	1	UR L:2M(7P)
4	688-82586-32-00	EXTENSION, WIRE HARNESS (3.0M)	1	UR L:3M(7P)
5	688-8258A-10-00	EXTENSION, WIRE HARNESS (2M)	1	UR (10P)
5	688-8258A-30-00	EXTENSION, WIRE HARNESS (3M)	1	UR (10P)