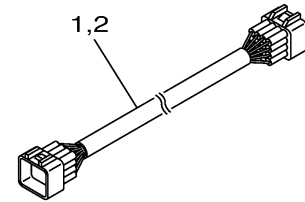
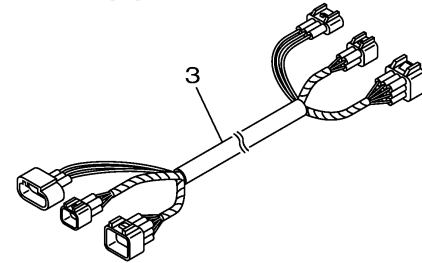


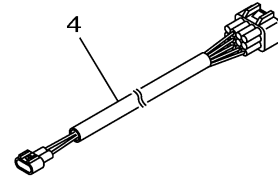
**DIGITAL ELECTRONIC
REMOTE CONTROL WIRE HARNESS**



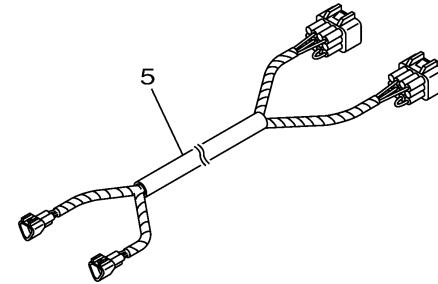
MAIN HARNESS



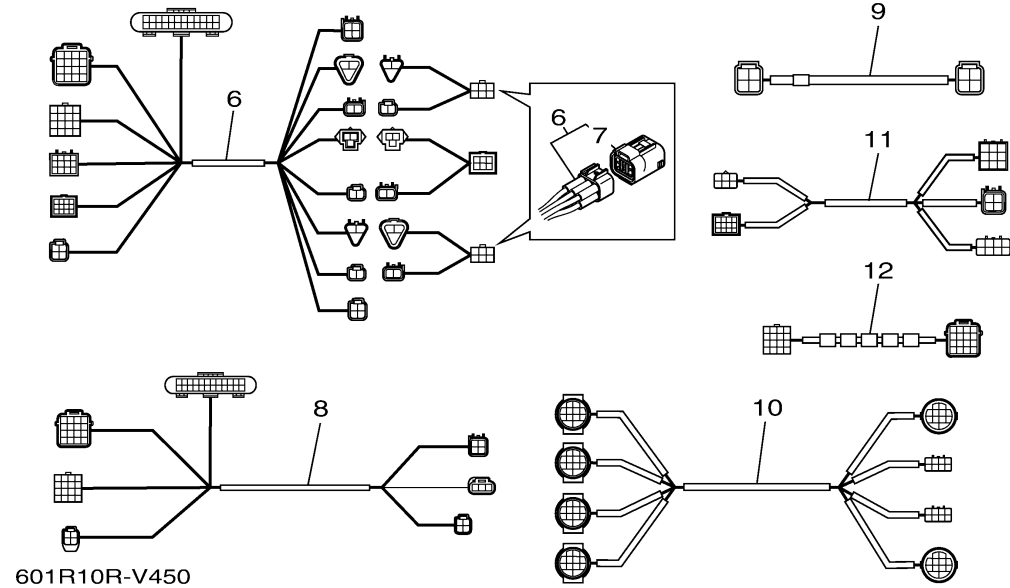
Uses to connect between main RC and 2nd RC.
(For new DEC unit)



Uses to connect between main RC and 2nd RC.
(For DEC unit)



Uses to connect between main RC and 2nd RC.
(Quad engine special)
(For new DEC unit)



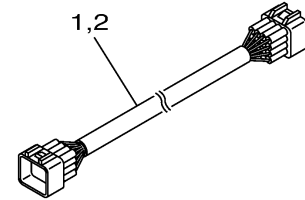
601R10R-V450

WIRE HARNESS 2

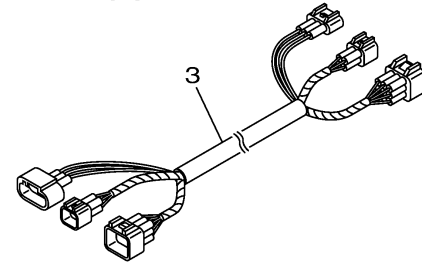
Ref No.	Part Number	Description	Qty	Remarks
1	6X6-8258A-01-00	EXTENSION, WIRE HARNESS (6.1M)	1	UR FOR SINGLE
1	6X6-8258A-01-00	EXTENSION, WIRE HARNESS (6.1M)	2	UR FOR TWIN
1	6X6-8258A-01-00	EXTENSION, WIRE HARNESS (6.1M)	3	UR FOR TRIPLE
1	6X6-8258A-01-00	EXTENSION, WIRE HARNESS (6.1M)	4	UR FOR QUAD
1	6X6-8258A-11-00	EXTENSION, WIRE HARNESS (7M)	1	UR FOR SINGLE
1	6X6-8258A-11-00	EXTENSION, WIRE HARNESS (7M)	2	UR FOR TWIN
1	6X6-8258A-11-00	EXTENSION, WIRE HARNESS (7M)	3	UR FOR TRIPLE
1	6X6-8258A-11-00	EXTENSION, WIRE HARNESS (7M)	4	UR FOR QUAD
1	6X6-8258A-21-00	EXTENSION, WIRE HARNESS (8M)	1	UR FOR SINGLE
1	6X6-8258A-21-00	EXTENSION, WIRE HARNESS (8M)	2	UR FOR TWIN
1	6X6-8258A-21-00	EXTENSION, WIRE HARNESS (8M)	3	UR FOR TRIPLE
1	6X6-8258A-21-00	EXTENSION, WIRE HARNESS (8M)	4	UR FOR QUAD
1	6X6-8258A-31-00	EXTENSION, WIRE HARNESS (10M)	1	UR FOR SINGLE
1	6X6-8258A-31-00	EXTENSION, WIRE HARNESS (10M)	2	UR FOR TWIN
1	6X6-8258A-31-00	EXTENSION, WIRE HARNESS (10M)	3	UR FOR TRIPLE
1	6X6-8258A-31-00	EXTENSION, WIRE HARNESS (10M)	4	UR FOR QUAD
1	6X6-8258A-41-00	EXTENSION, WIRE HARNESS (12M)	1	UR FOR SINGLE
1	6X6-8258A-41-00	EXTENSION, WIRE HARNESS (12M)	2	UR FOR TWIN
1	6X6-8258A-41-00	EXTENSION, WIRE HARNESS (12M)	3	UR FOR TRIPLE
1	6X6-8258A-41-00	EXTENSION, WIRE HARNESS (12M)	4	UR FOR QUAD

CONTINUED ON NEXT FRAME >

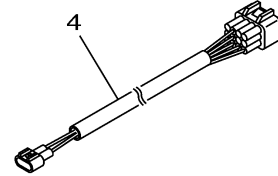
**DIGITAL ELECTRONIC
REMOTE CONTROL WIRE HARNESS**



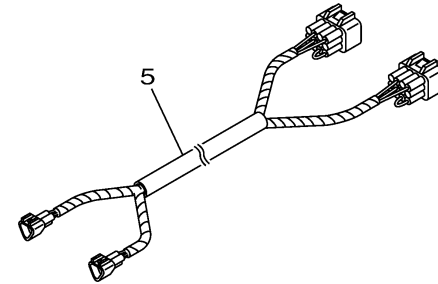
MAIN HARNESS



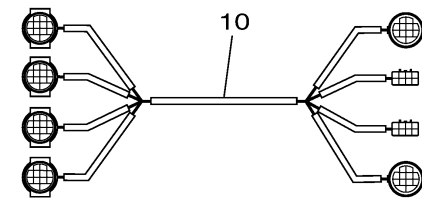
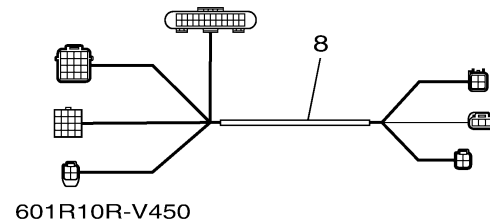
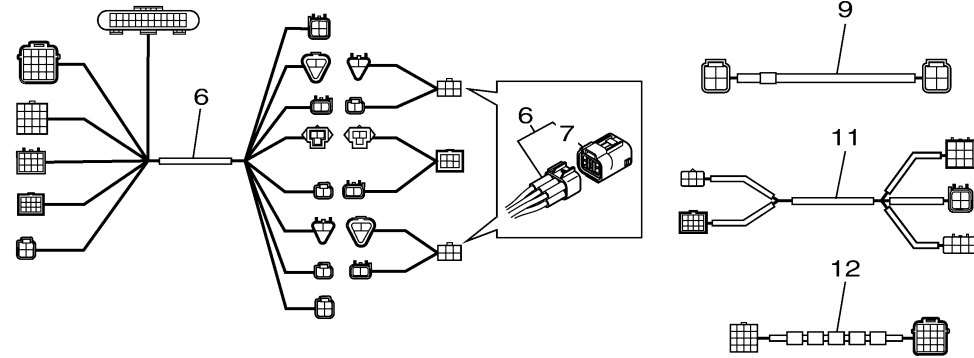
Uses to connect between main RC and 2nd RC.
(For new DEC unit)



Uses to connect between main RC and 2nd RC.
(For DEC unit)



Uses to connect between main RC and 2nd RC.
(Quad engine special)
(For new DEC unit)



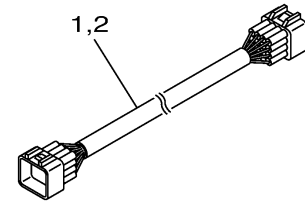
601R10R-V450

WIRE HARNESS 2

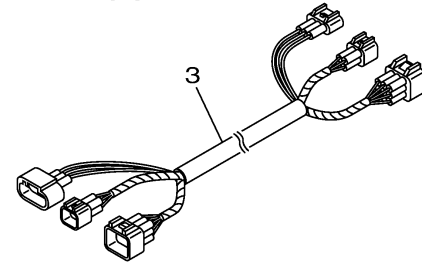
Ref No.	Part Number	Description	Qty	Remarks
2	6X6-8258A-71-00	EXTENSION, WIRE HARNESS (15M)	1	UR FOR SINGLE
2	6X6-8258A-71-00	EXTENSION, WIRE HARNESS (15M)	2	UR FOR TWIN
2	6X6-8258A-71-00	EXTENSION, WIRE HARNESS (15M)	3	UR FOR TRIPLE
2	6X6-8258A-71-00	EXTENSION, WIRE HARNESS (15M)	4	UR FOR QUAD
2	6X6-8258A-81-00	EXTENSION, WIRE HARNESS (24M)	1	UR FOR SINGLE
2	6X6-8258A-81-00	EXTENSION, WIRE HARNESS (24M)	2	UR FOR TWIN
2	6X6-8258A-81-00	EXTENSION, WIRE HARNESS (24M)	3	UR FOR TRIPLE
2	6X6-8258A-81-00	EXTENSION, WIRE HARNESS (24M)	4	UR FOR QUAD
2	6X6-8258A-51-00	EXTENSION, WIRE HARNESS (3.7M)	1	UR FOR SINGLE
2	6X6-8258A-51-00	EXTENSION, WIRE HARNESS (3.7M)	2	UR FOR TWIN
2	6X6-8258A-51-00	EXTENSION, WIRE HARNESS (3.7M)	3	UR FOR TRIPLE
2	6X6-8258A-51-00	EXTENSION, WIRE HARNESS (3.7M)	4	UR FOR QUAD
2	6X6-8258A-61-00	EXTENSION, WIRE HARNESS (5.2M)	1	UR FOR SINGLE
2	6X6-8258A-61-00	EXTENSION, WIRE HARNESS (5.2M)	2	UR FOR TWIN
2	6X6-8258A-61-00	EXTENSION, WIRE HARNESS (5.2M)	3	UR FOR TRIPLE
2	6X6-8258A-61-00	EXTENSION, WIRE HARNESS (5.2M)	4	UR FOR QUAD
3	6X6-8258A-G1-00	EXTENSION, WIRE HARNESS (5M)	1	UR FOR SINGLE
3	6X6-8258A-G1-00	EXTENSION, WIRE HARNESS (5M)	2	UR FOR TWIN
3	6X6-8258A-G1-00	EXTENSION, WIRE HARNESS (5M)	3	UR FOR TRIPLE
3	6X6-8258A-G1-00	EXTENSION, WIRE HARNESS (5M)	4	UR FOR QUAD

CONTINUED ON NEXT FRAME >

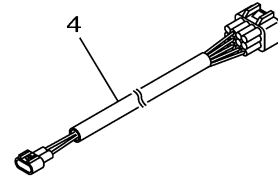
**DIGITAL ELECTRONIC
REMOTE CONTROL WIRE HARNESS**



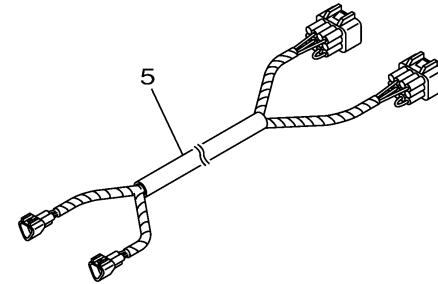
MAIN HARNESS



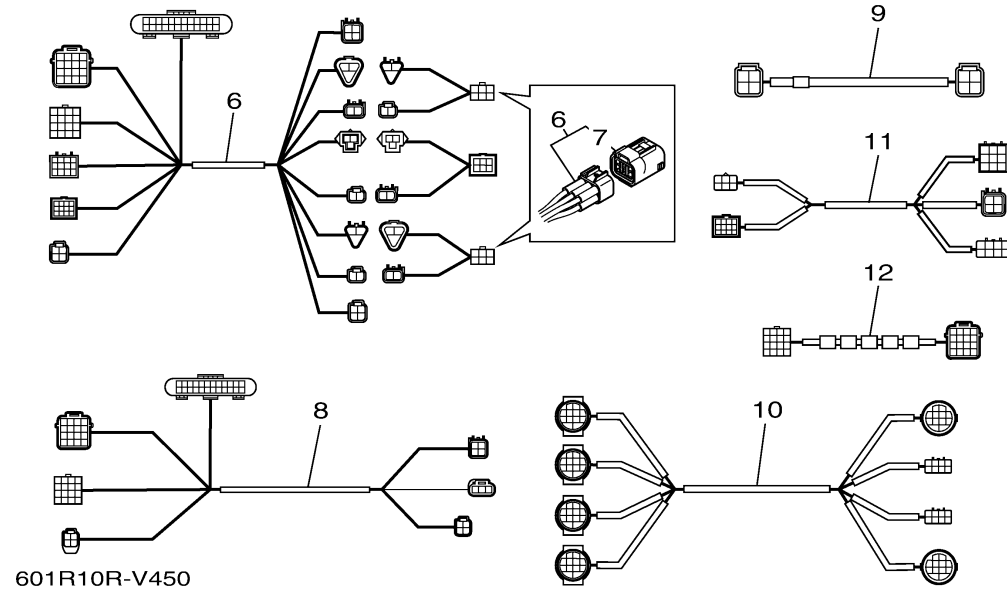
Uses to connect between main RC and 2nd RC.
(For new DEC unit)



Uses to connect between main RC and 2nd RC.
(For DEC unit)



Uses to connect between main RC and 2nd RC.
(Quad engine special)
(For new DEC unit)

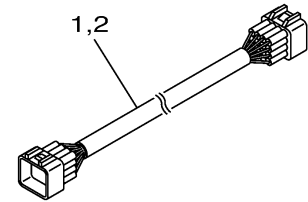


WIRE HARNESS 2

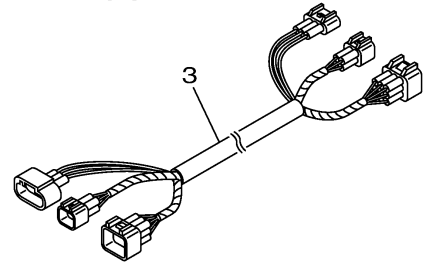
Ref No.	Part Number	Description	Qty	Remarks
3	6X6-8258A-H1-00	EXTENSION, WIRE HARNESS (8M)	1	UR FOR SINGLE
3	6X6-8258A-H1-00	EXTENSION, WIRE HARNESS (8M)	2	UR FOR TWIN
3	6X6-8258A-H1-00	EXTENSION, WIRE HARNESS (8M)	3	UR FOR TRIPLE
3	6X6-8258A-H1-00	EXTENSION, WIRE HARNESS (8M)	4	UR FOR QUAD
3	6X6-8258A-J1-00	EXTENSION, WIRE HARNESS: 12.2M	1	UR FOR SINGLE
3	6X6-8258A-J1-00	EXTENSION, WIRE HARNESS: 12.2M	2	UR FOR TWIN
3	6X6-8258A-J1-00	EXTENSION, WIRE HARNESS: 12.2M	3	UR FOR TRIPLE
3	6X6-8258A-J1-00	EXTENSION, WIRE HARNESS: 12.2M	4	UR FOR QUAD
4	6X6-8258A-B1-00	EXTENSION, WIRE HARNESS (5M)	1	UR FOR SINGLE
4	6X6-8258A-B1-00	EXTENSION, WIRE HARNESS (5M)	2	UR FOR TWIN, QUAD
4	6X6-8258A-B1-00	EXTENSION, WIRE HARNESS (5M)	3	UR FOR TRIPLE
4	6X6-8258A-D1-00	EXTENSION, WIRE HARNESS (8M)	1	UR FOR SINGLE
4	6X6-8258A-D1-00	EXTENSION, WIRE HARNESS (8M)	2	UR FOR TWIN, QUAD
4	6X6-8258A-D1-00	EXTENSION, WIRE HARNESS (8M)	3	UR FOR TRIPLE
4	6X6-8258A-F1-00	EXTENSION, WIRE HARNESS: 12.2M	1	UR FOR SINGLE
4	6X6-8258A-F1-00	EXTENSION, WIRE HARNESS: 12.2M	2	UR FOR TWIN, QUAD
4	6X6-8258A-F1-00	EXTENSION, WIRE HARNESS: 12.2M	3	UR FOR TRIPLE
5	6X6-8258A-R0-00	EXTENSION, WIRE HARNESS (5M)	2	UR FOR QUAD
5	6X6-8258A-S0-00	EXTENSION, WIRE HARNESS (8M)	2	UR FOR QUAD
5	6X6-8258A-T0-00	EXTENSION, WIRE HARNESS: 12.2M	2	UR FOR QUAD

CONTINUED ON NEXT FRAME >

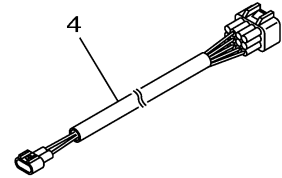
**DIGITAL ELECTRONIC
REMOTE CONTROL WIRE HARNESS**



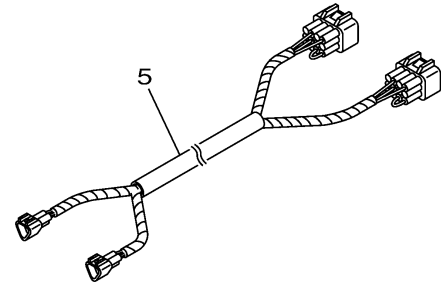
MAIN HARNESS



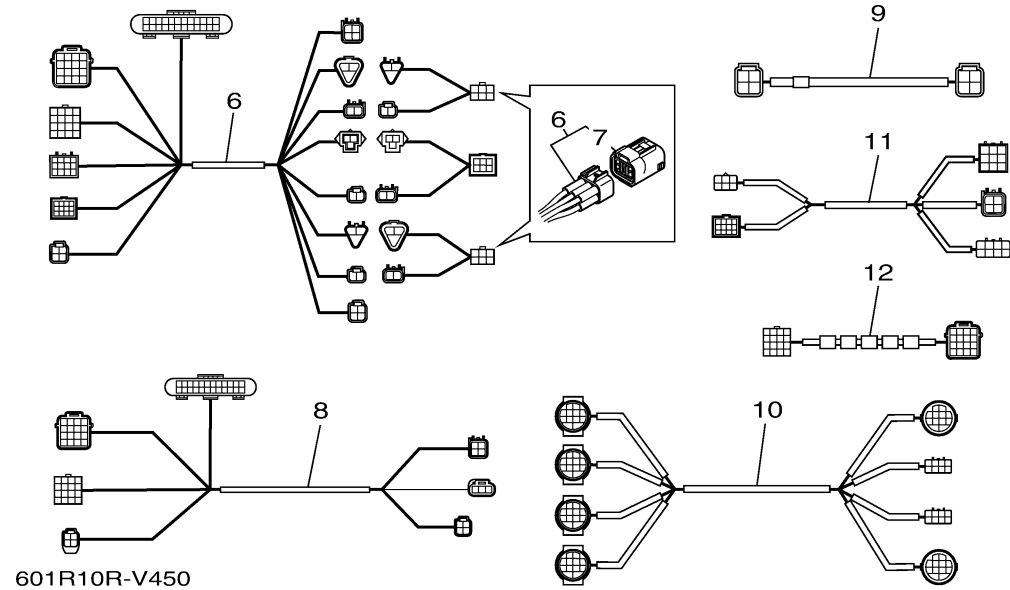
Uses to connect between main RC and 2nd RC.
(For new DEC unit)



Uses to connect between main RC and 2nd RC.
(For DEC unit)



Uses to connect between main RC and 2nd RC.
(Quad engine special)
(For new DEC unit)



WIRE HARNESS 2

Ref No.	Part Number	Description	Qty	Remarks
6	6X9-8258A-01-00	2ND ST HARNESS (P) 5M-16FT	1	UR
6	6X9-8258A-11-00	2ND ST HARNESS (P) 8M-26FT	1	UR
6	6X9-8258A-21-00	2ND ST HARNESS (P) 12M-38FT	1	UR
7	6Y8-85371-01-00	. .END OF LINE RESISTOR	2	
8	6X9-8258A-31-00	2ND ST HARNESS (S) 5M-16FT	1	UR EXCEPT SINGLE ENGINE
8	6X9-8258A-41-00	2ND ST HARNESS (S) 8M-26FT	1	UR EXCEPT SINGLE ENGINE
8	6X9-8258A-51-00	2ND ST HARNESS (S) 12M-38FT	1	UR EXCEPT SINGLE ENGINE
9	6X9-8258A-60-00	2ND ST HARNESS (C) 5M-16FT	1	UR FOR TRIPLE, QUAD ENGINE
9	6X9-8258A-70-00	2ND ST HARNESS (C) 8M-26FT	1	UR FOR TRIPLE, QUAD ENGINE
9	6X9-8258A-80-00	2ND ST HARNESS (C) 12M-38FT	1	UR FOR TRIPLE, QUAD ENGINE
10	6X9-83553-60-00	CONVERSION HARNESS	1	FOR TRIPLE, QUAD ENGINE
11	6X9-83553-40-00	CONVERSION HARNESS	1	FOR TRIPLE, QUAD ENGINE
12	6GR-8258A-V0-00	EXTENSION, WIRE HARNESS	1	