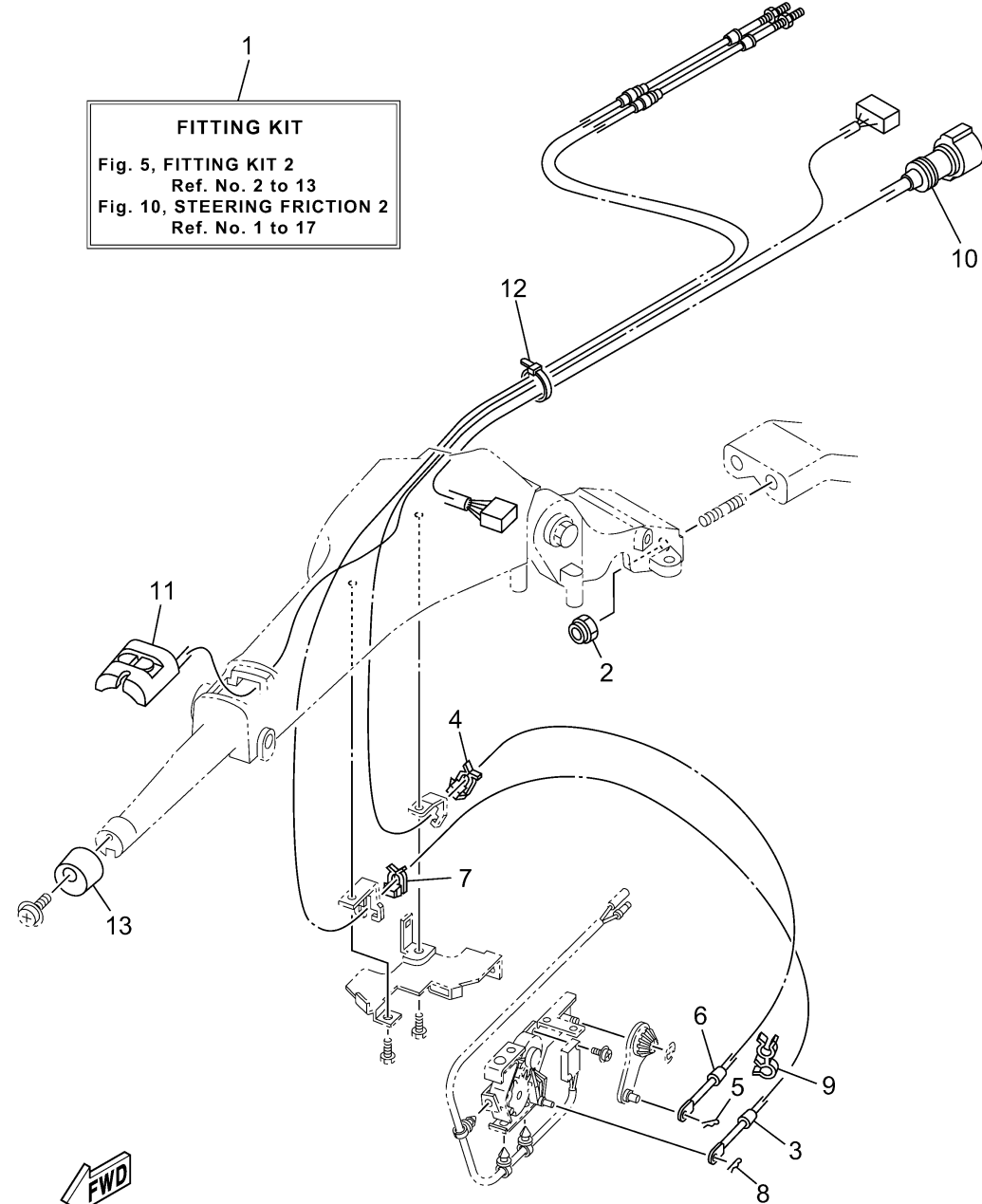


6X4 TILLER HANDLE FITTING KIT
 (F50C,F50L,T50C,FT50N,F60C,F60H,T60C,FT60J,F70B)



601S10S-Z050

FITTING KIT 2

Ref No.	Part Number	Description	Qty	Remarks
1	6X4-42102-24-00	FITTING KIT	1	LM FOR USA, CAN
1	6X4-42102-93-00	FITTING KIT	1	LM FOR EUR, OCE
2	90185-10027-00	NUT, SELF-LOCKING	2	
3	67C-48321-11-00	CABLE	1	
4	63D-48538-00-00	CLAMP, CABLE 1	1	
5	90468-10005-00	CLIP	1	
6	69W-26301-00-00	THROTTLE CABLE ASSY	1	
7	63D-48538-00-00	CLAMP, CABLE 1	1	
8	90468-10005-00	CLIP	1	
9	90464-09M42-00	CLAMP	1	
10	6X4-82586-11-00	EXT., WIRE HARNESS (L:950MM)	1	
11	6X4-81860-00-00	SWITCH ASSY	1	
12	90465-13M36-00	CLAMP	1	
13	6X4-42728-00-00	CAP	1	FOR EUR, OCE