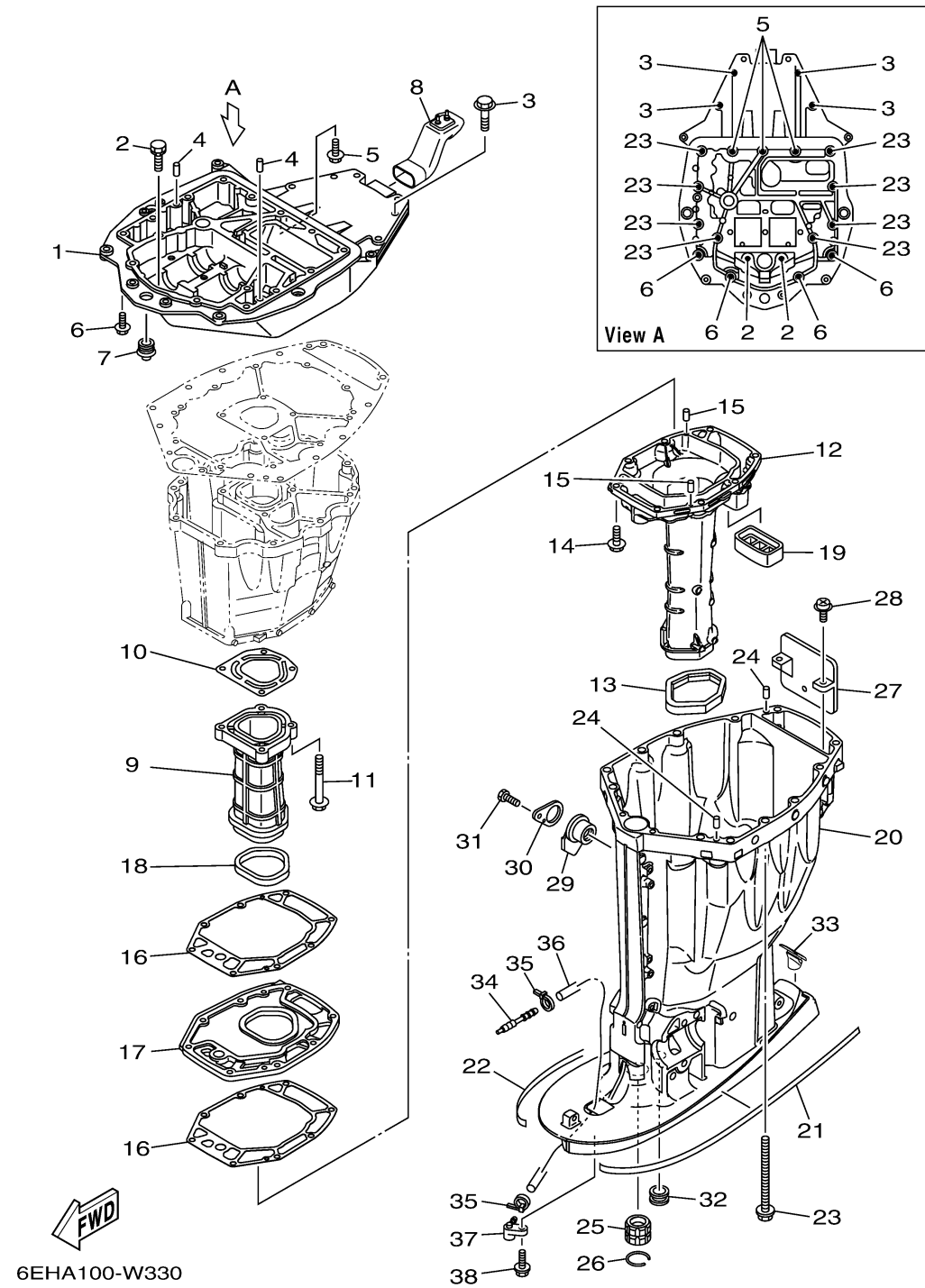


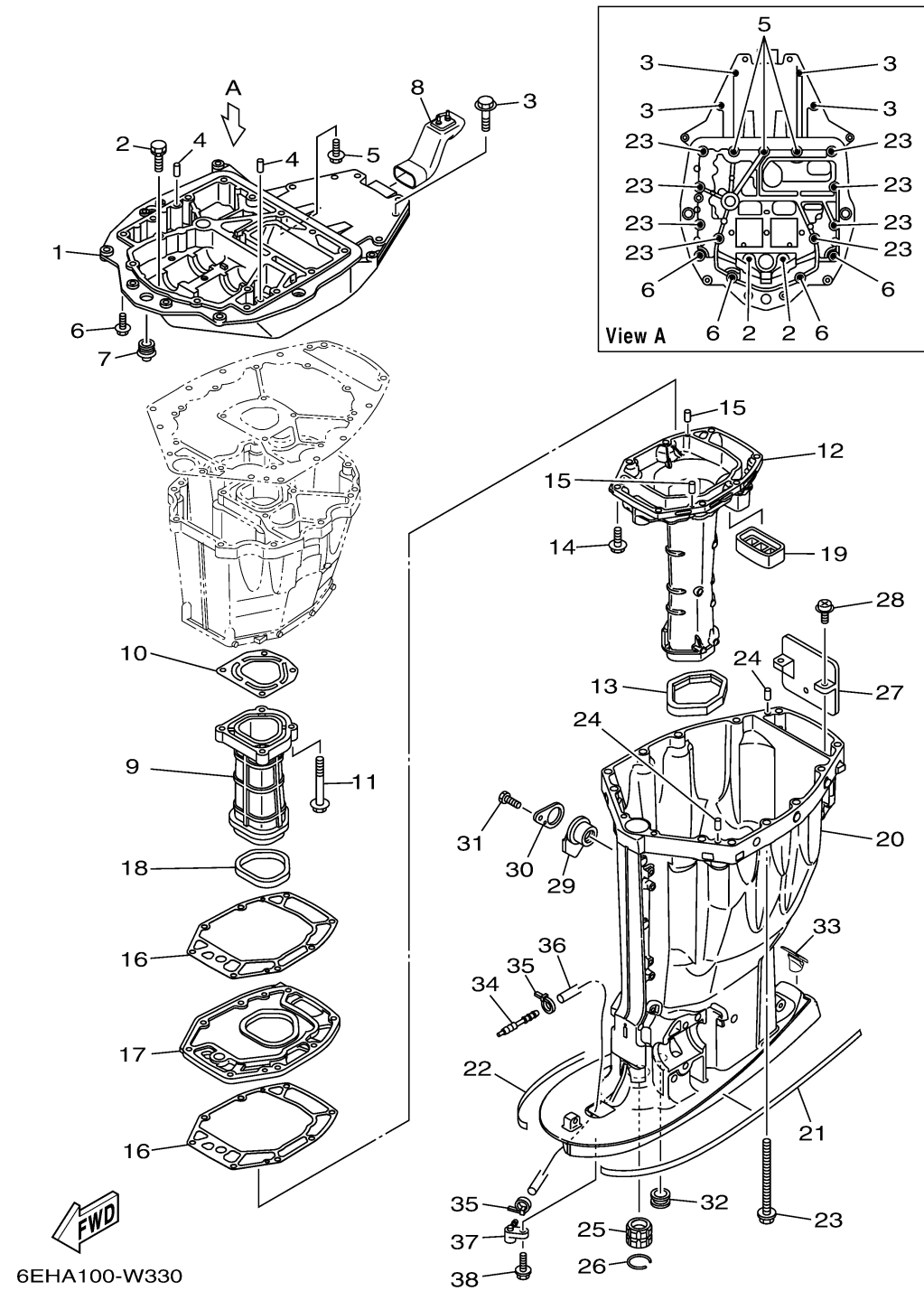
UPPER CASING



Ref No.	Part Number	Description	Qty	Remarks
1	63P-41137-07-CA	GUIDE, EXHAUST	1	
2	90119-08182-00	BOLT, WITH WASHER	2	
3	97E75-10545-00	BOLT, HEXAGON W/W DEEP RECESS	4	
4	93608-16M16-00	PIN, DOWEL	2	
5	90119-08189-00	BOLT, WITH WASHER	3	
6	97E75-10535-00	BOLT, HEXAGON W/W DEEP RECESS	4	
7	6E5-42724-01-00	GROMMET	1	
8	6DA-42769-01-00	SEAL, RUBBER	1	
9	63P-41131-02-00	MANIFOLD, EXT. 1	1	
10	63P-41133-A0-00	.GASKET, EXHAUST MANIFOLD 1	1	
11	97E75-08560-00	BOLT, HEXAGON W/W DEEP RECESS	4	
12	6DA-14711-11-00	MUFFLER 1	0	L(20.3")
12	6DA-14711-01-00	MUFFLER 1	1	X(25.3")
13	69J-45123-00-00	.GASKET, MUFFLER	1	
14	97E75-08535-00	BOLT, HEXAGON W/W DEEP RECESS	8	
15	93606-19M23-00	PIN, DOWEL	2	
16	63P-41134-A1-00	.GASKET, EXHAUST MANIFOLD 2	2	
17	63P-45181-02-00	PLATE	1	
18	63P-41138-00-00	.SEAL, EXT. 1	1	
19	69J-45127-01-00	.SEAL	1	

CONTINUED ON NEXT FRAME >

UPPER CASING



Ref No.	Part Number	Description	Qty	Remarks
20	6DA-45111-01-8D	CASING, UPPER	1	X(25.3")
20	6DA-45111-10-8D	CASING, UPPER	0	L(20.3")
21	6N9-42791-41-00	MARK 1	1	
22	6N9-42792-41-00	MARK 2	1	
23	90119-10007-00	BOLT, WITH WASHER	8	
24	93608-16M16-00	PIN, DOWEL	2	
25	6E5-45318-00-00	BUSHING, DRIVE SHAFT	1	
26	93420-36M01-00	CIRCLIP	1	
27	69J-14624-01-00	COVER, EXHAUST	1	
28	97980-06216-00	SCREW, WITH WASHER	2	
29	6BB-15316-01-00	DAMPER 1	1	X(25.3")
30	6BB-45152-01-00	COVER, UPPER CASING 2	1	X(25.3")
31	97D95-06012-00	BOLT, HEXAGON DEEP RECESS	1	X(25.3")
32	6E5-44366-01-00	.DAMPER, WATER SEAL 2	1	
33	6C5-45155-02-00	CAP	0	L(20.3")
33	6DA-45155-01-00	CAP	1	X(25.3")
34	6E5-83558-00-00	END, NIPPLE	1	
35	90465-11M10-00	CLAMP	2	
36	90445-07018-00	HOSE (L1400)	1	X(25.3")
36	90445-07010-00	HOSE (L1330)	0	L(20.3")

CONTINUED ON NEXT FRAME >

UPPER CASING

Ref No.	Part Number	Description	Qty	Remarks
37	63P-45379-00-00	NIPPLE, HOSE	1	
38	90119-06287-00	BOLT, WITH WASHER	1	

