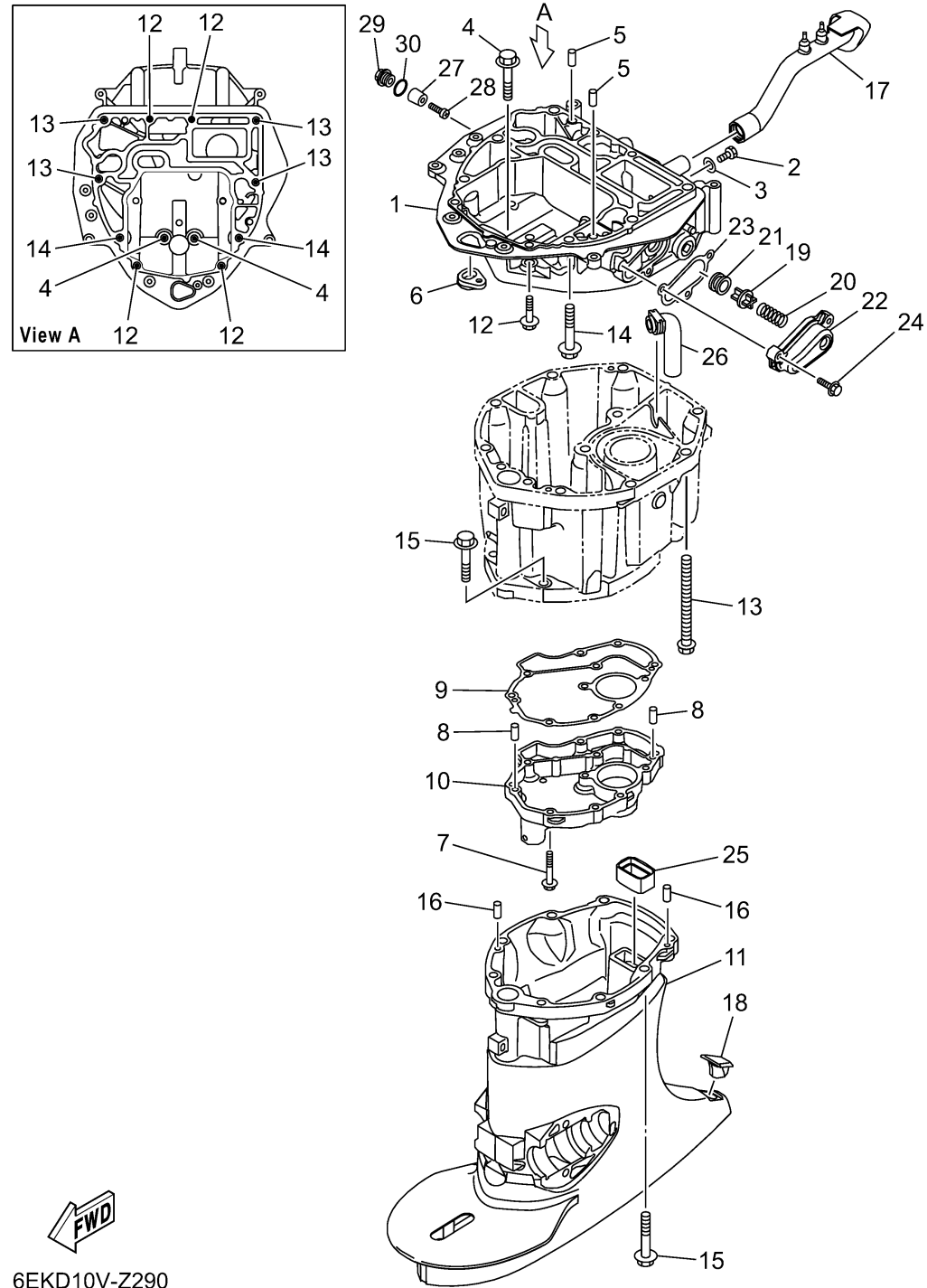


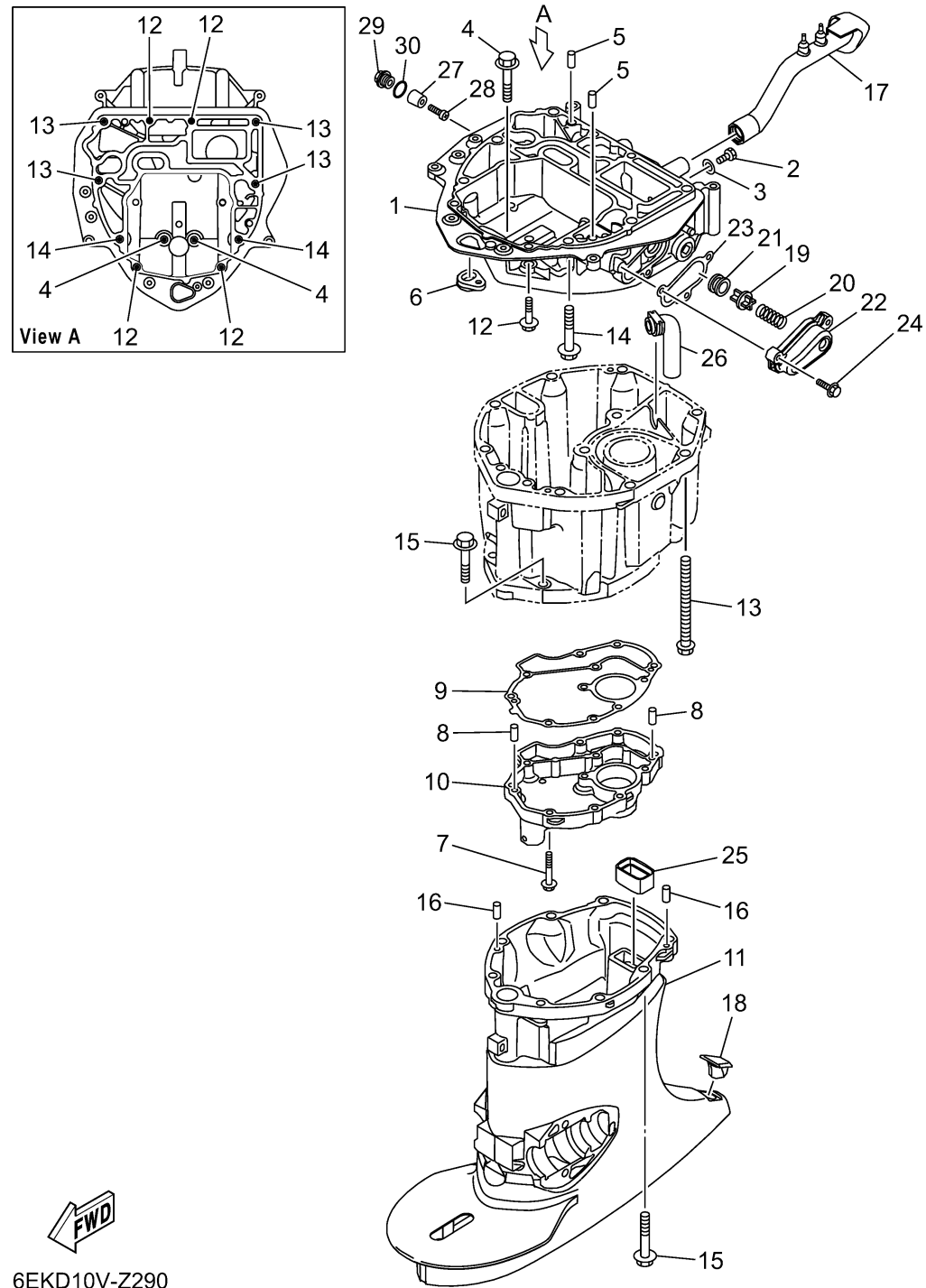
# UPPER CASING



Ref No.	Part Number	Description	Qty	Remarks
1	6EK-41137-02-CA	GUIDE, EXHAUST	1	
2	97D95-08014-00	BOLT, HEXAGON DEEP RECESS	1	
3	90430-08143-00	GASKET	1	
4	97E75-10545-00	BOLT, HEXAGON W/W DEEP RECESS	2	
5	93608-12M05-00	PIN, DOWEL	2	
6	6EK-42727-01-00	GROMMET	1	
7	95D95-06030-00	BOLT, FLANGE DEEP RECESS	11	
8	93606-12019-00	.PIN, DOWEL	2	
9	6EK-41134-00-00	.GASKET, EXHAUST MANIFOLD 2	1	
10	6EK-45181-01-00	PLATE	1	
11	6EK-45111-00-CH	CASING, UPPER	1	L(20.3")
12	97E75-08535-00	BOLT, HEXAGON W/W DEEP RECESS	4	
13	90119-10007-00	BOLT, WITH WASHER	4	
14	97E75-10545-00	BOLT, HEXAGON W/W DEEP RECESS	2	
15	97E75-10545-00	BOLT, HEXAGON W/W DEEP RECESS	8	
16	93606-12019-00	.PIN, DOWEL	2	
17	6EK-42769-01-00	SEAL, RUBBER	1	
18	6C5-45155-02-00	CAP	1	
19	6G5-12416-00-00	VALVE, PRESSURE CONTROL	1	
20	90501-200A2-00	SPRING, COMPRESSION	1	

CONTINUED ON NEXT FRAME >

# UPPER CASING



Ref No.	Part Number	Description	Qty	Remarks
21	90480-20M05-00	GROMMET	1	
22	6EK-1246A-00-9S	COVER 1	1	
23	6EK-12435-A0-00	.GASKET	1	
24	95D95-06025-00	BOLT, FLANGE DEEP RECESS	3	
25	67F-45127-00-00	.SEAL	1	
26	6EK-45135-00-00	PIPE	1	
27	6G8-11325-00-00	ANODE	1	
28	98980-05025-00	SCREW, BIND	1	
29	6G8-11197-B0-00	PLUG, BLIND	1	
30	93210-13M63-00	.O-RING	1	

  
 6EKD10V-Z290