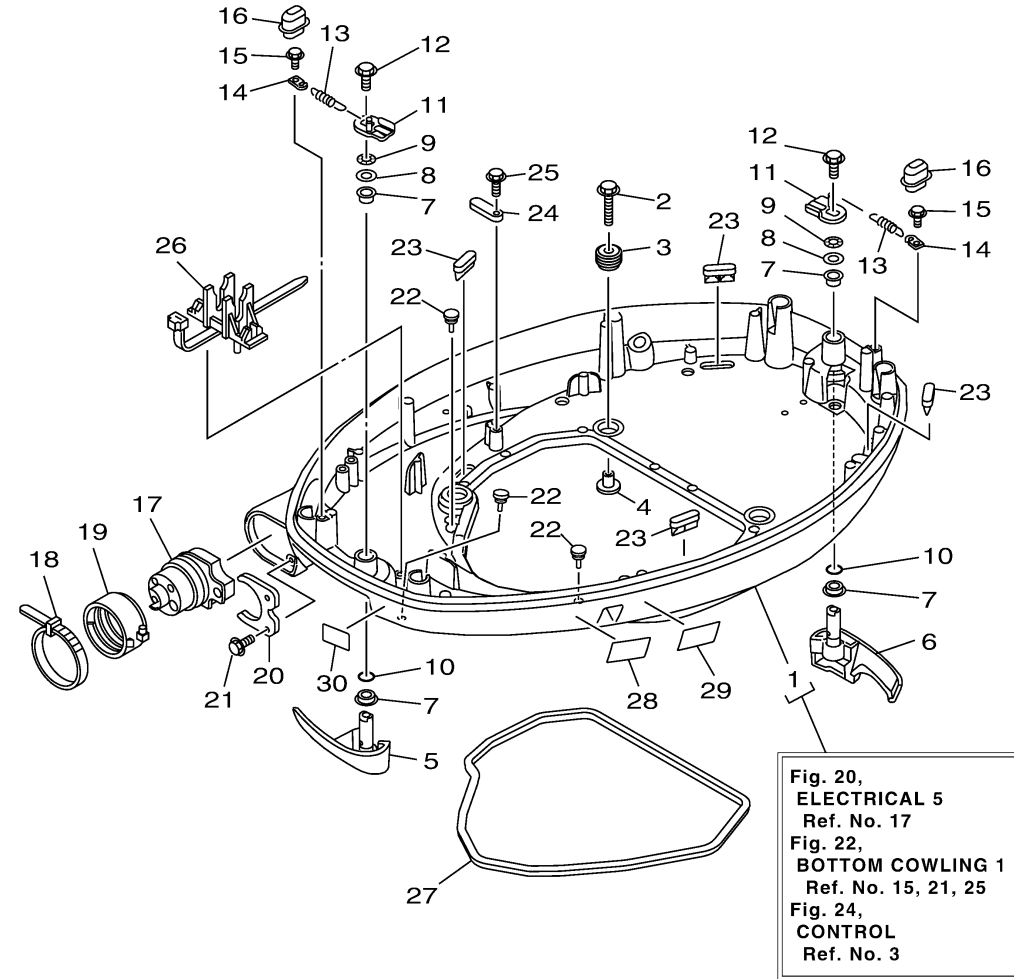


BOTTOM COWLING 1



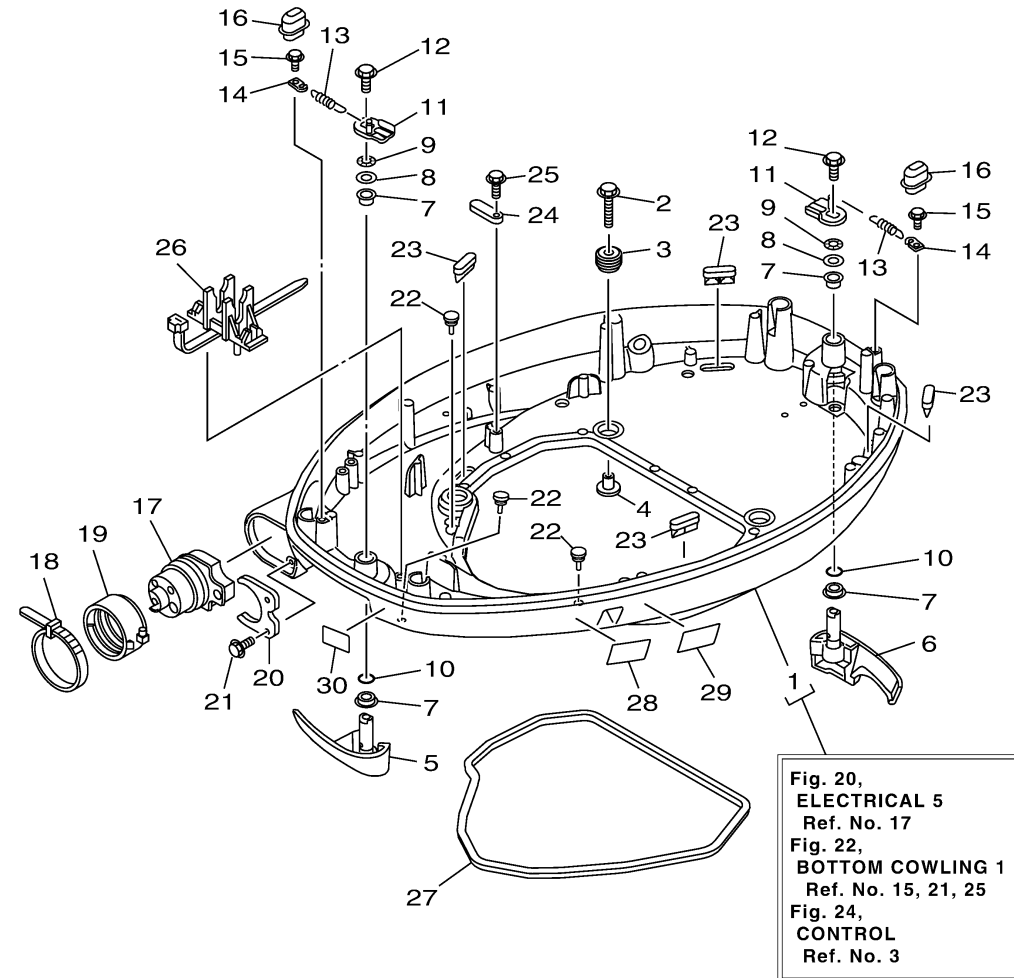
Ref No.	Part Number	Description	Qty	Remarks
1	6EK-42710-01-00	BOTTOM COWLING ASSY	1	
1	6EK-42710-01-CE	BOTTOM COWLING ASSY	0	WHITE
2	90119-08187-00	BOLT, WITH WASHER	4	
3	90480-22M15-00	GROMMET	4	
4	90387-08M37-00	COLLAR	4	
5	6EK-42815-01-8D	LEVER, CLAMP 1	1	GRAY
5	6EK-42815-01-CE	LEVER, CLAMP 1	0	WHITE
6	6EK-42816-01-CE	LEVER, CLAMP 2	0	WHITE
6	6EK-42816-01-8D	LEVER, CLAMP 2	1	GRAY
7	90386-15M73-00	BUSH	4	
8	90201-156J2-00	WASHER, PLATE	2	
9	90206-15M18-00	WASHER, WAVE	2	
10	93210-13M63-00	.O-RING	2	
11	6CB-42818-00-00	LEVER, CLAMP 4	2	
12	95D95-08012-00	BOLT, FLANGE DEEP RECESS	2	
13	90506-22001-00	SPRING, TENSION	2	
14	66T-43144-00-00	HOOK, SPRING	2	
15	90109-06M86-00	BOLT	2	
16	6EK-42728-01-00	CAP	2	
17	6EK-42725-10-00	GROMMET	1	

CONTINUED ON NEXT FRAME >


6EK7100-U220

BOTTOM COWLING 1

Ref No.	Part Number	Description	Qty	Remarks
18	90464-20258-00	CLAMP	1	AP
19	68F-42753-00-00	FASTNER	1	AP
20	6CB-42761-00-00	STOPPER	1	
21	90109-06316-00	BOLT	2	
22	6H4-42748-01-00	GROMMET	3	
23	67F-42717-00-00	RUBBER, SEAL 2	4	
24	6E5-82588-00-00	PLATE	1	
25	90109-06M81-00	BOLT	1	
26	68V-82594-00-00	CLAMP	1	
27	6EK-42716-01-00	RUBBER SEAL 1	1	
28	6EE-42794-41-00	LABEL, WARNING (GENERAL)	1	
29	6EE-42794-51-00	LABEL, WARNING (GENERAL)	1	
30	6AH-81996-01-00	MARK	1	EXCEPT JET-DRIVE



6EK7100-U220