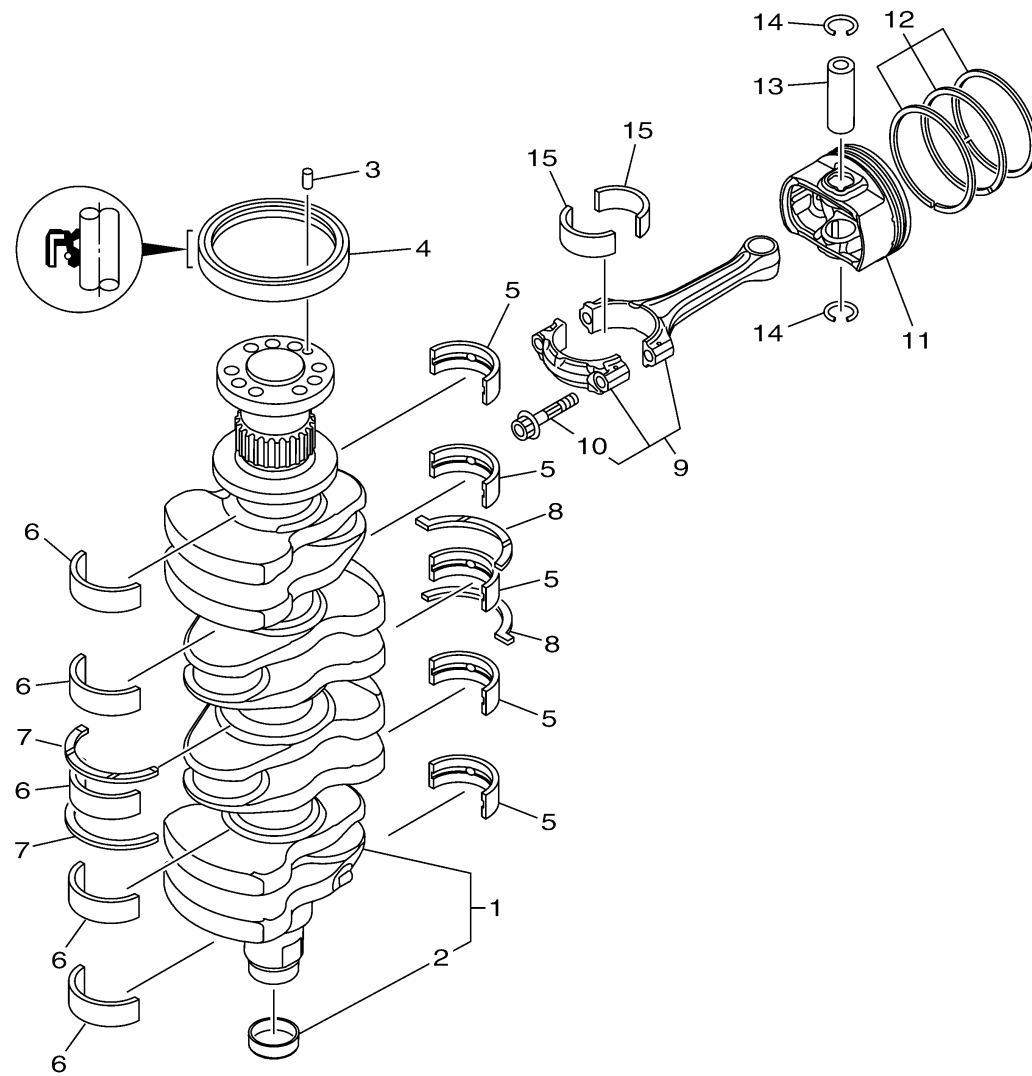


CRANKSHAFT PISTON

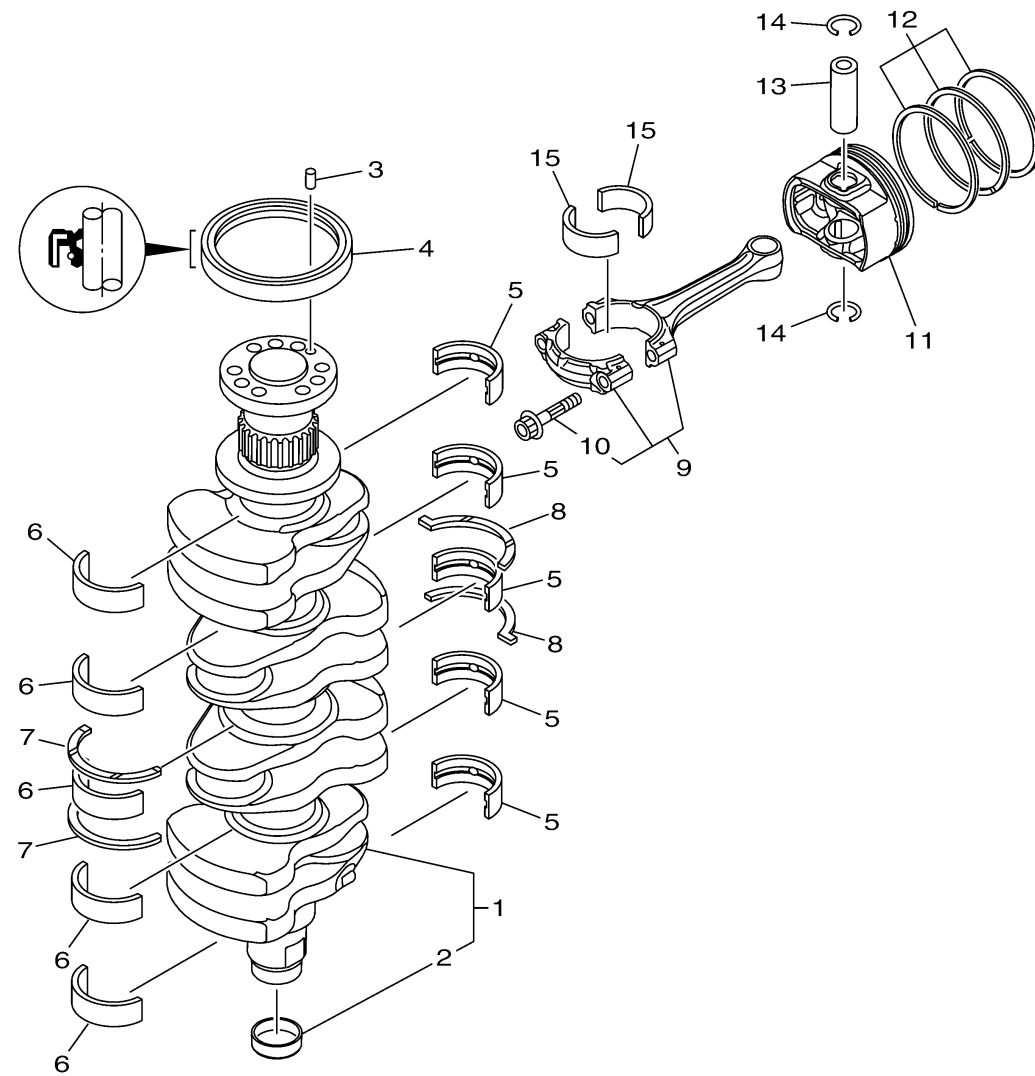


Ref No.	Part Number	Description	Qty	Remarks
1	6EK-11410-01-00	CRANKSHAFT	1	
2	6CB-11478-00-00	. .COLLAR	1	
3	93606-12019-00	.PIN, DOWEL	1	
4	93102-85008-00	.OIL SEAL	1	
5	6EK-11416-00-00	PLANE BEARING, CRANKSHAFT 1	5	UR YELLOW
5	6EK-11416-10-00	PLANE BEARING, CRANKSHAFT 1	5	UR GREEN
5	6EK-11416-20-00	PLANE BEARING, CRANKSHAFT 1	5	UR BLUE
5	6EK-11416-30-00	PLANE BEARING, CRANKSHAFT 1	5	UR RED
5	6EK-11416-40-00	PLANE BEARING, CRANKSHAFT 1	5	UR BLACK
6	6EK-11417-00-00	PLANE BEARING, CRANKSHAFT 2	5	UR YELLOW
6	6EK-11417-10-00	PLANE BEARING, CRANKSHAFT 2	5	UR GREEN
6	6EK-11417-20-00	PLANE BEARING, CRANKSHAFT 2	5	UR BLUE
6	6EK-11417-30-00	PLANE BEARING, CRANKSHAFT 2	5	UR RED
6	6EK-11417-40-00	PLANE BEARING, CRANKSHAFT 2	5	UR BLACK
7	6EK-11426-01-00	BEARING, THRUST 1	2	
8	6EK-11427-00-00	BEARING, THRUST 2	2	
9	6EK-W1165-00-00	CONNECTING ROD ASSY	4	
10	K1C-A3275-00-00	. .BOLT, CONNECTING ROD	2	
11	6EK-11631-02-94	PISTON (STD)	4	
11	6EK-11635-02-00	PISTON (0.25MM O/S)	4	AP

CONTINUED ON NEXT FRAME >


6EM1100-P040

CRANKSHAFT PISTON




6EM1100-P040

Ref No.	Part Number	Description	Qty	Remarks
12	6EK-11603-01-00	PISTON RING SET (STD)	4	
12	6EK-11604-01-00	PISTON RING SET (0.25MM O/S)	4	AP
13	6EK-11633-00-00	PIN, PISTON	4	
14	93450-19052-00	CIRCLIP	8	
15	6EK-11656-00-00	PLANE BEARING, CONNECTING ROD	8	UR YELLOW
15	6EK-11656-10-00	PLANE BEARING, CONNECTING ROD	8	UR GREEN
15	6EK-11656-20-00	PLANE BEARING, CONNECTING ROD	8	UR BLUE
15	6EK-11656-30-00	PLANE BEARING, CONNECTING ROD	8	UR RED
15	6EK-11656-40-00	PLANE BEARING, CONNECTING ROD	8	UR BLACK