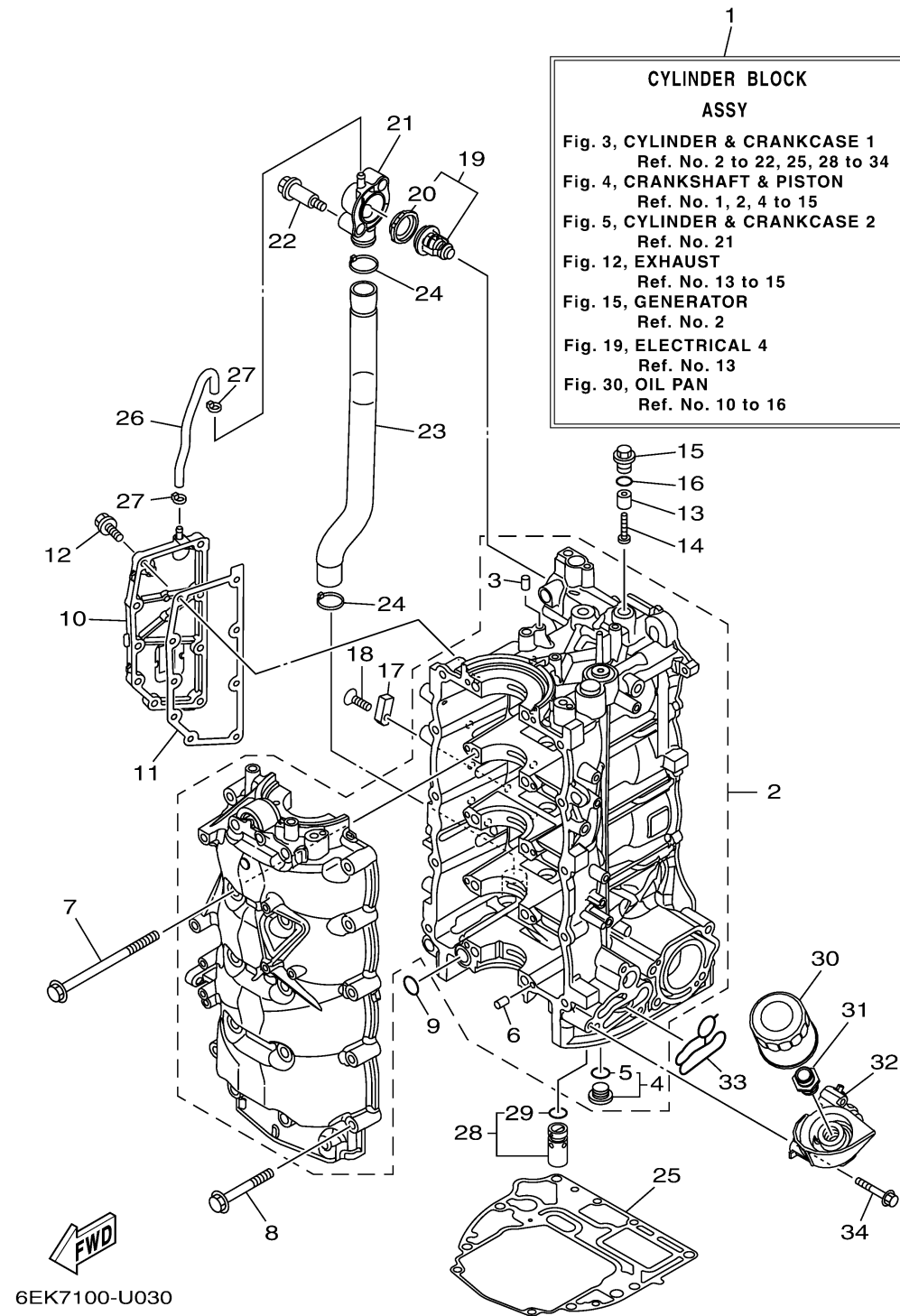


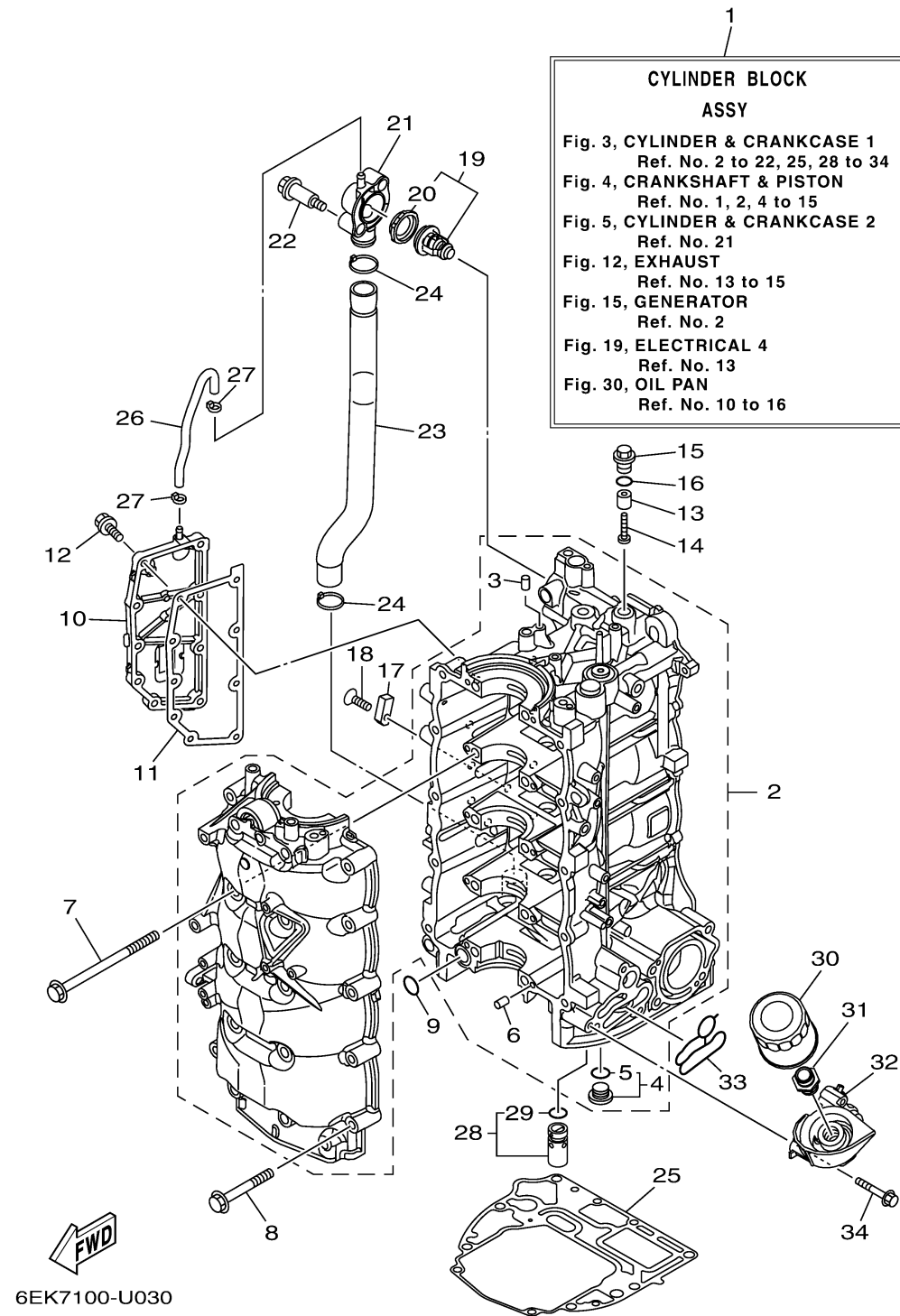
# CYLINDER CRANKCASE 1



Ref No.	Part Number	Description	Qty	Remarks
1	6EK-W009B-14-9S	CYLINDER BLOCK ASSY	1	
2	6EK-15109-02-9S	CRANKCASE ASSY	1	
3	93606-19M23-00	. PIN, DOWEL	1	
4	6EK-11313-00-00	..PLUG, BLIND	1	
5	93210-207A0-00	...O-RING	1	
6	93606-12019-00	..PIN, DOWEL	10	
7	90119-10057-00	BOLT, WITH WASHER	10	
8	90105-08170-00	BOLT, FLANGE	10	
9	93210-19MJ1-00	.O-RING	1	
10	6EK-15414-00-9S	COVER 1	1	
11	6EK-15353-01-00	.GASKET, DRAIN	1	
12	90105-06037-00	BOLT, FLANGE	9	
13	6G8-11325-00-00	ANODE	1	
14	98980-05025-00	SCREW, BIND	1	
15	6G8-11197-B0-00	PLUG, BLIND	1	
16	93210-13M63-00	.O-RING	1	
17	63P-11325-01-00	ANODE	1	
18	90151-06M02-00	SCREW, COUNTERSUNK	1	
19	6EK-12411-00-00	THERMOSTAT	1	
20	6EK-12412-00-00	..SEAL, THERMOSTAT	1	

CONTINUED ON NEXT FRAME >

# CYLINDER CRANKCASE 1



Ref No.	Part Number	Description	Qty	Remarks
21	6EK-12413-00-00	COVER, THERMOSTAT	1	
22	90109-06286-00	BOLT	2	
23	6EK-1243A-00-00	HOSE 1	1	
24	90465-11M59-00	CLAMP	2	
25	6EK-11351-01-00	.GASKET, CYLINDER	1	
26	6EK-12483-00-00	PIPE 3	1	
27	90465-11M10-00	.CLAMP	2	
28	6EK-13490-00-00	RELIEF VALVE ASSY	1	
29	6CB-13473-00-00	.O-RING	1	
30	5GH-13440-72-00	ELEMENT ASSY, OIL CLEANER	1	
31	90401-20007-00	BOLT, UNION	1	
32	6EK-13446-00-00	CONNECTOR	1	
33	6EK-13475-00-00	.GASKET	1	
34	90105-06151-00	BOLT, FLANGE	3	