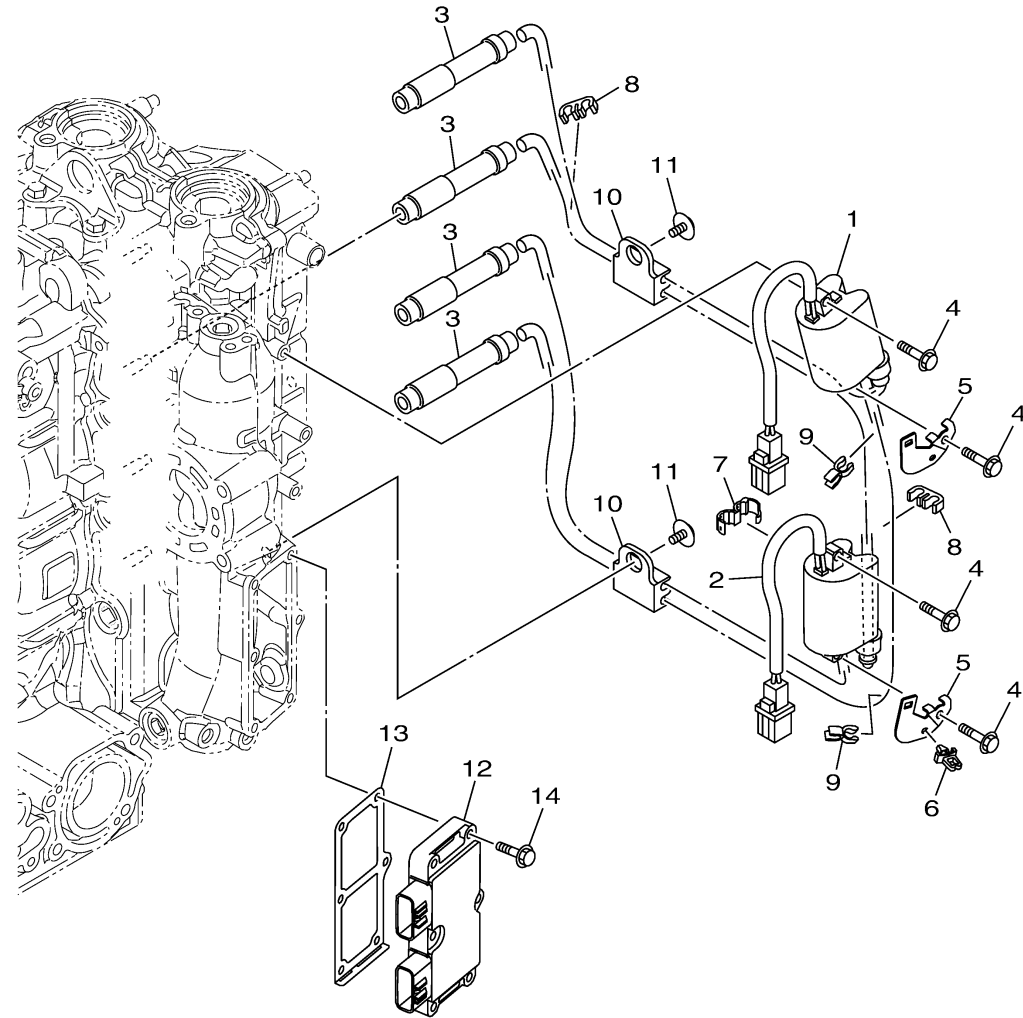


ELECTRICAL 4

| Ref No. | Part Number | Description | Qty | Remarks |
|---------|-----------------|-------------------------------|-----|---------|
| 1 | 6EK-82310-00-00 | IGNITION COIL ASSY | 1 | |
| 2 | 6EK-82310-10-00 | IGNITION COIL ASSY | 1 | |
| 3 | 6EK-82370-00-00 | PLUG CAP ASSY | 4 | |
| 4 | 97E95-06525-00 | BOLT, HEXAGON W/W DEEP RECESS | 4 | |
| 5 | 6EK-82388-00-00 | PLATE | 2 | |
| 6 | 90464-06001-00 | CLAMP | 1 | |
| 7 | 90464-13227-00 | CLAMP | 1 | |
| 8 | 67F-82361-00-00 | CLAMP, CORD | 2 | |
| 9 | 90464-07M41-00 | CLAMP | 2 | |
| 10 | 67F-82362-00-00 | CLAMP, CORD 2 | 2 | |
| 11 | 90119-06275-00 | BOLT, WITH WASHER | 2 | |
| 12 | 6EK-81960-10-00 | RECTIFIER & REGULATOR ASSY | 1 | |
| 13 | 6EK-81975-01-00 | PLATE, RECTIFIER FITTING | 1 | |
| 14 | 97E95-06530-00 | BOLT, HEXAGON W/W DEEP RECESS | 6 | |



6EK6100-T190