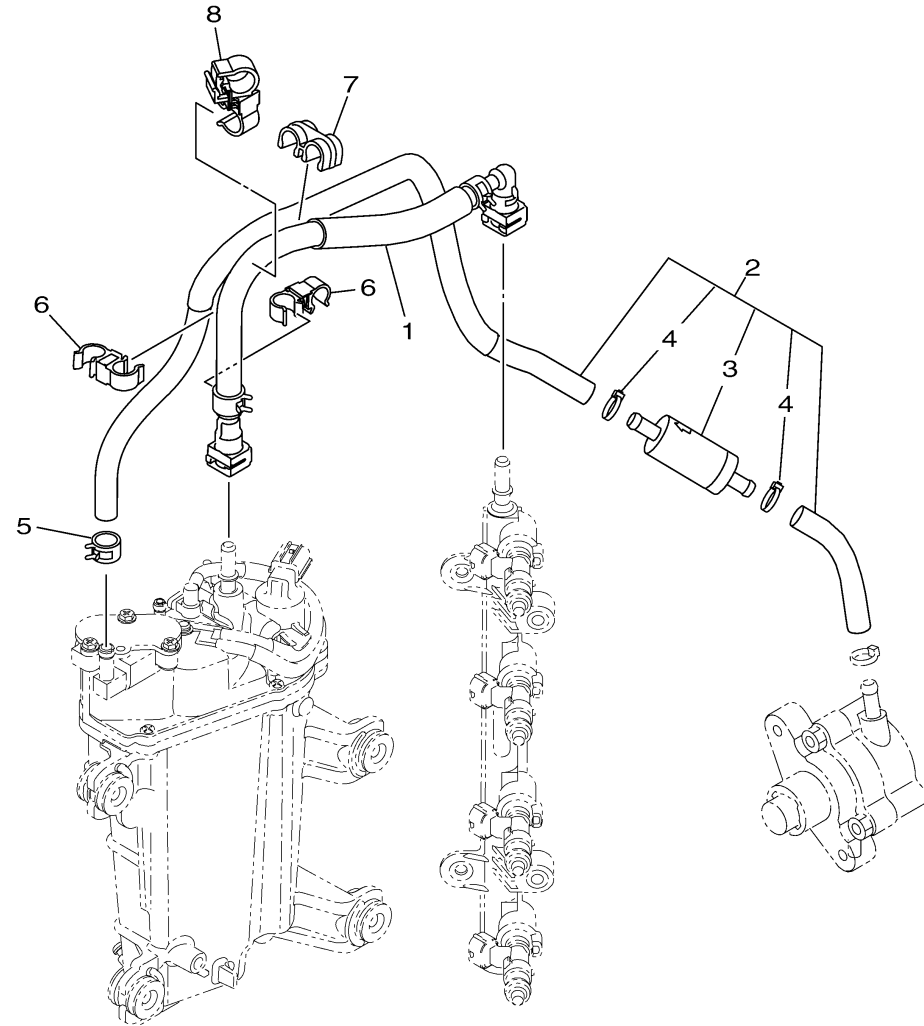


FUEL INJECTION PUMP 2

Ref No.	Part Number	Description	Qty	Remarks
1	6EK-2450B-01-00	FUEL HOSE ASSY	1	
2	6EK-24330-02-00	FUEL PIPE ASSY	1	
3	6C5-24251-01-00	. .STRAINER 1	1	
4	90465-11M10-00	. .CLAMP	2	
5	90467-120A7-00	CLIP	1	
6	90464-12009-00	CLAMP	2	
7	90464-12224-00	CLAMP	1	
8	90464-12012-00	CLAMP	1	



6EK1100-N110