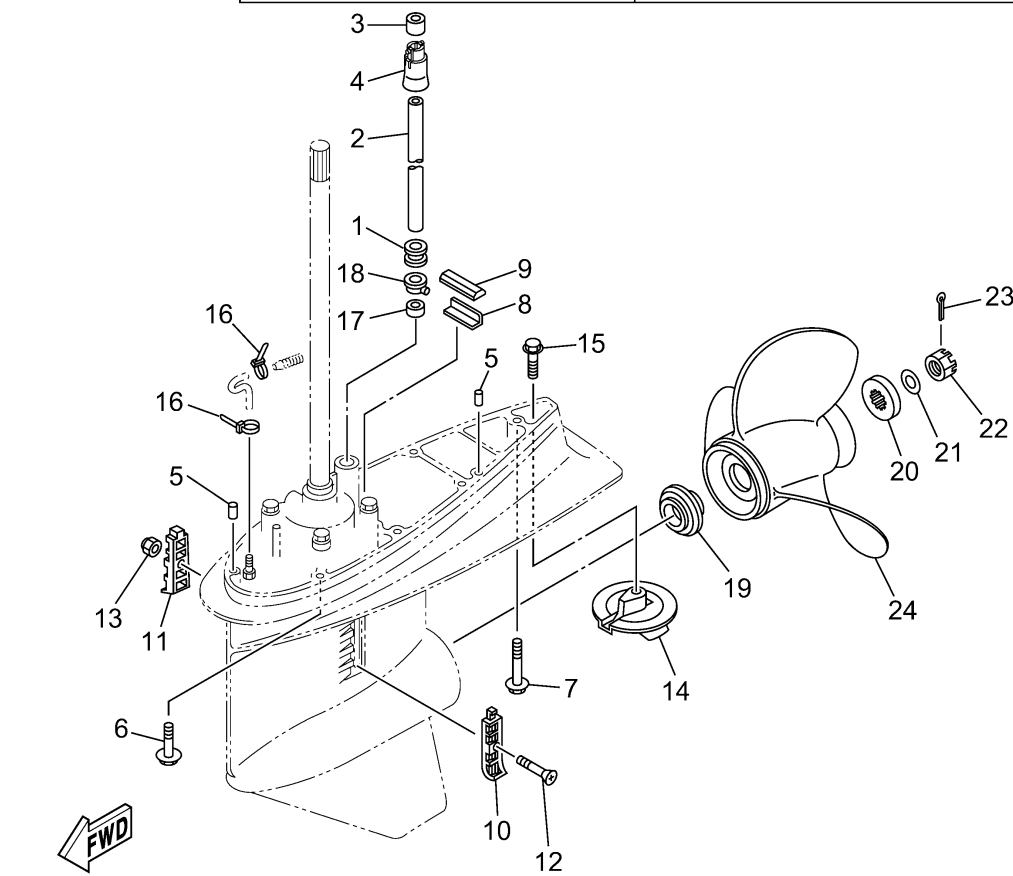
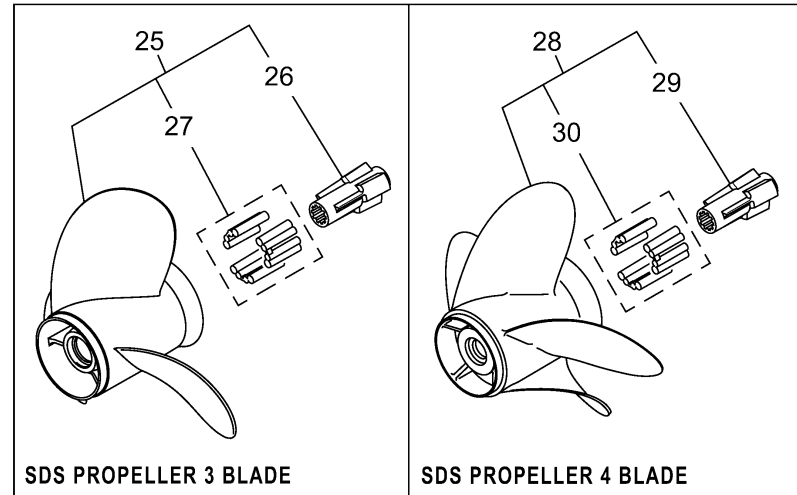


LOWER CASING DRIVE 2

REGULAR ROTATION



6EKC100-Z320

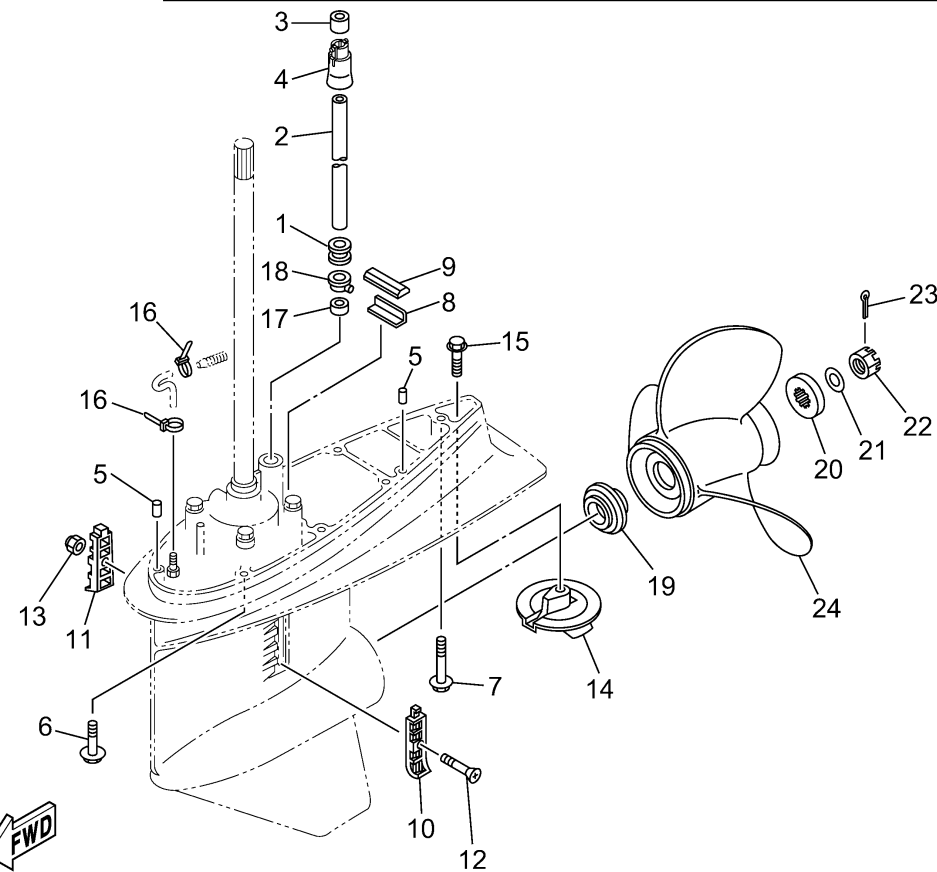
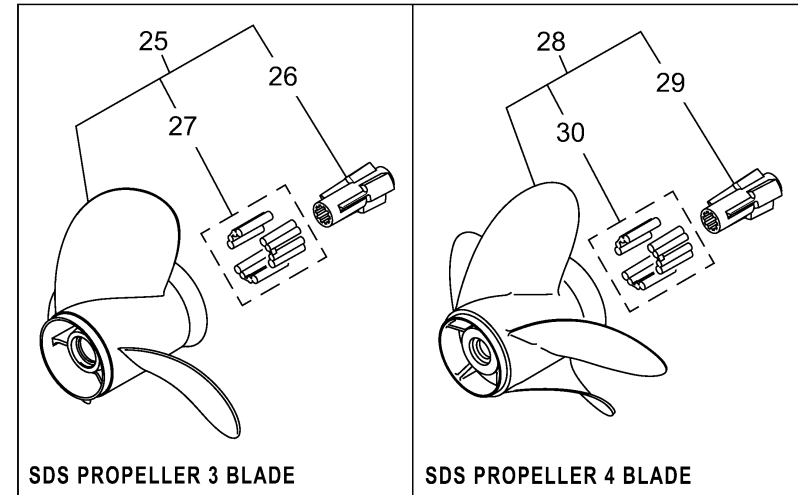
*: FROM REF.NO.2, REF.NO.5 TO REF.NO.30
EXCEPT FOR JET DRIVE(F115JB)

Ref No.	Part Number	Description	Qty	Remarks
1	6E5-44366-01-00	DAMPER, WATER SEAL 2	1	
2	90440-16001-00	PIPE (L167)	1	L(20.3")
2	90440-16002-00	PIPE (L294)	0	X(25.3")
3	6EK-44365-01-00	DAMPER, WATER SEAL 1	1	
4	6EK-44379-00-00	GUIDE, WATER TUBE	1	
5	93608-12M05-00	PIN, DOWEL	2	
6	97E95-10545-00	BOLT, HEXAGON W/W DEEP RECESS	6	
7	90119-10071-00	BOLT, WITH WASHER	1	
8	663-45376-00-00	GUIDE, SEAL DAMPER	1	
9	688-45375-00-00	DAMPER, SEAL	1	
10	688-45214-02-00	COVER, WATER INLET 1	1	
11	688-45215-02-00	COVER, WATER INLET 2	1	
12	90152-05M07-00	SCREW, COUNTERSUNK	1	
13	90185-05002-00	NUT, NYLON	1	
14	6E5-45371-01-00	TAB-TRIM	1	
15	90105-10M00-00	BOLT, FLANGE	1	
16	90465-11M10-00	.CLAMP	2	
17	6E5-44365-01-00	DAMPER, WATER SEAL 1	1	
18	6E5-44312-00-00	COVER, WATER PUMP HOUSING	1	
19	6E5-45987-01-00	SPACER 1	1	

CONTINUED ON NEXT FRAME >

LOWER CASING DRIVE 2

REGULAR ROTATION



6EKC100-Z320

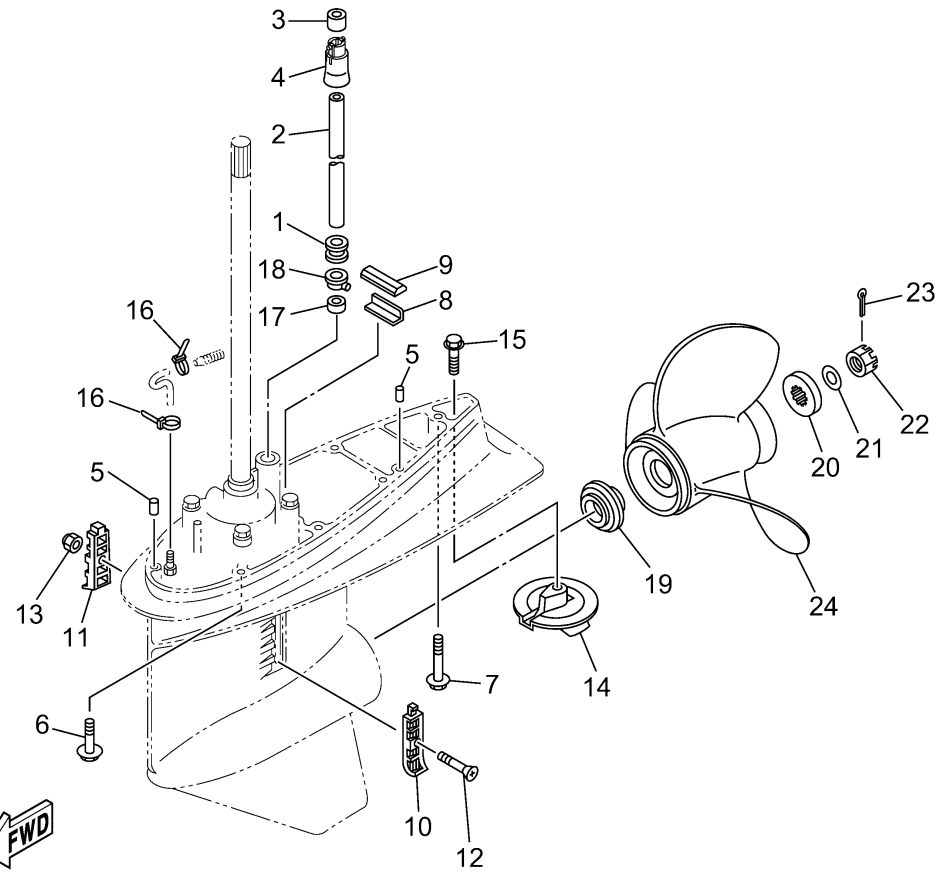
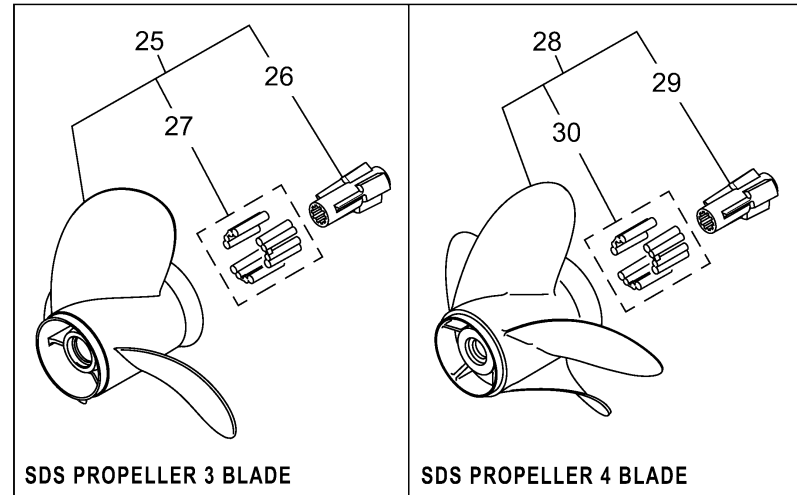
*: FROM REF.NO.2, REF.NO.5 TO REF.NO.30
EXCEPT FOR JET DRIVE(F115JB)

Ref No.	Part Number	Description	Qty	Remarks
20	688-45997-01-00	SPACER 2	1	
21	92990-18200-00	WASHER	1	
22	90171-18M04-00	NUT, CASTLE	1	
23	91490-40030-00	PIN. COTTER	1	
24	62A-45976-00-00	PROPELLER (3X13-1/2"X17"-K)	1	UR
24	62A-45970-10-00	PROPELLER (3X13-1/2"X21"-K)	1	UR
24	62A-45972-10-00	PROPELLER (3X13-1/2"X23"-K)	1	UR
24	62A-45974-10-00	PROPELLER (3X13-1/2"X19"-K)	1	UR
24	6E5-45954-00-00	PROPELLER (3X14"X11"-K)	1	UR
24	6E5-45941-00-00	PROPELLER (3X13"X19"-K)	1	UR
24	6E5-45943-00-00	PROPELLER (3X12-5/8"X21"-K)	1	UR
24	6E5-45945-01-00	PROPELLER (3X13-1/4"X17"-K)	1	UR
24	6E5-45947-00-00	PROPELLER (3X13-1/2"X15"-K)	1	UR
24	6E5-45949-00-00	PROPELLER (3X13-5/8"X13"-K)	1	UR
24	6E5-45952-00-00	PROPELLER (3X13"X23"-K)	1	UR
24	6E5-45956-00-00	PROPELLER (3X13"X25"-K)	1	UR
24	6E5-45958-00-00	PROPELLER (3X13-5/8"X14"-K)	1	UR
24	688-45970-03-00	PROPELLER (3X13"X19"-K)	1	UR
24	688-45972-02-00	PROPELLER (3X13"X21"-K)	1	UR
24	688-45974-02-00	PROPELLER (3X13"X23"-K)	1	UR

CONTINUED ON NEXT FRAME >

LOWER CASING DRIVE 2

REGULAR ROTATION



6EKC100-Z320

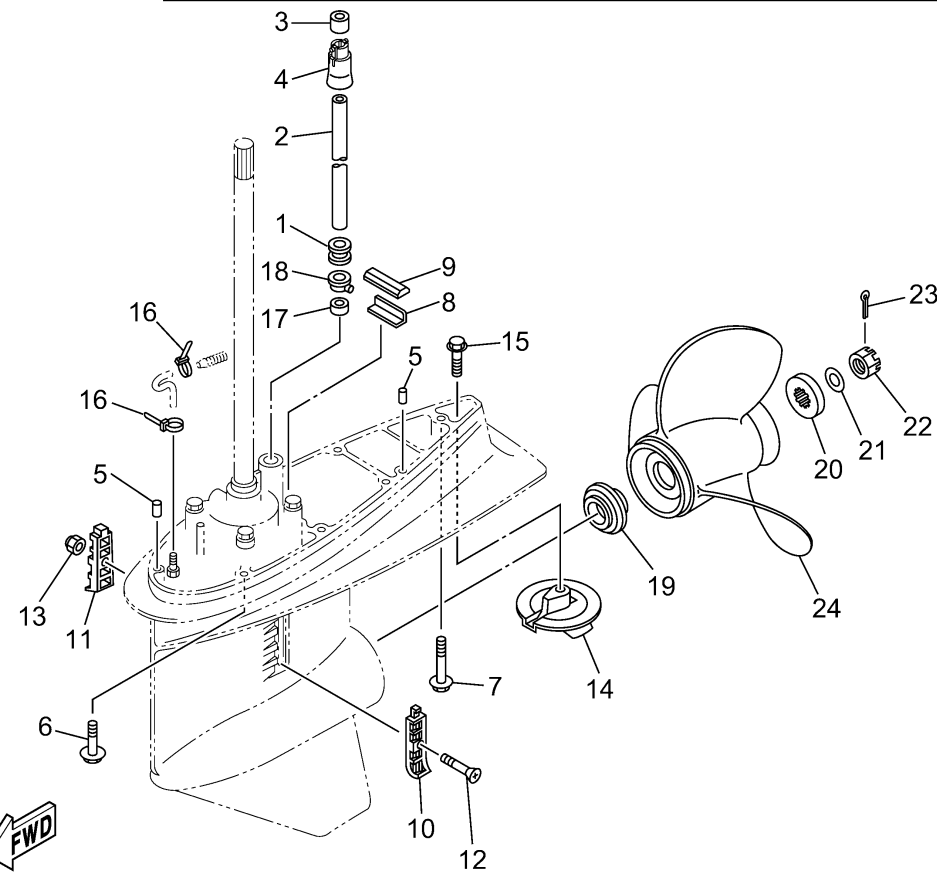
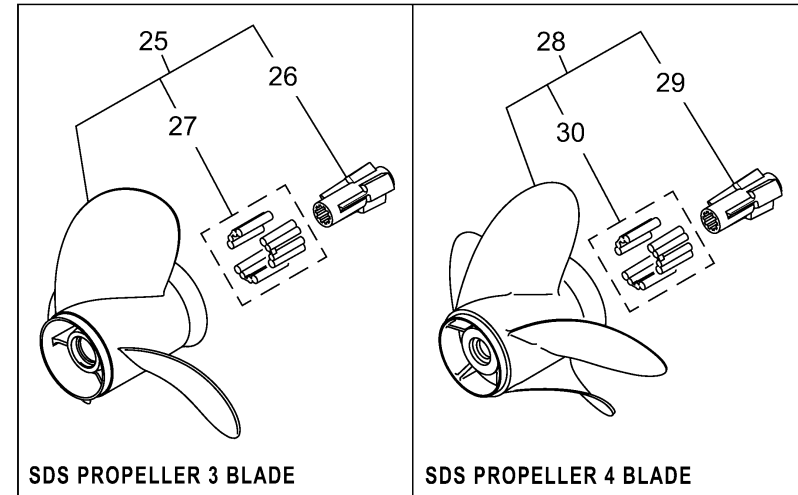
*: FROM REF.NO.2, REF.NO.5 TO REF.NO.30
EXCEPT FOR JET DRIVE(F115JB)

Ref No.	Part Number	Description	Qty	Remarks
24	688-45976-01-00	PROPELLER (3X13"X25"-K)	1	UR
24	688-45978-60-00	PROPELLER (3X13-1/2"X16"-K)	1	UR
24	688-45930-02-00	PROPELLER (3X13"X17"-K2)	1	UR
24	688-45932-60-00	PROPELLER (3X13-1/2"X14"-K)	1	UR
24	68V-45941-00-00	PROPELLER (3X13-1/2"X17"-K)	1	UR
24	68V-45943-00-00	PROPELLER (3X13-1/2"X19"-K)	1	UR
25	6FP-45941-00-00	PROPELLER (AL 3X13-5/8"X14"-K)	1	UR SDS 3 BLADE
25	6FP-45943-00-00	PROPELLER (AL 3X13-1/2"X15"-K)	1	UR SDS 3 BLADE
25	6FP-45945-00-00	PROPELLER (AL 3X13-1/4"X16"-K)	1	UR SDS 3 BLADE
25	6FP-45947-00-00	PROPELLER (AL 3X13-1/8"X17"-K)	1	UR SDS 3 BLADE
25	6FP-45949-00-00	PROPELLER (AL 3X13"X18"-K)	1	UR SDS 3 BLADE
25	6EK-45941-00-00	PROPELLER (3X13-1/2"X9"-K)	1	UR SDS 3 BLADE
25	6EK-45943-00-00	PROPELLER (3X13-1/2"X10-1/2"-K)	1	UR SDS 3 BLADE
25	6EK-45945-00-00	PROPELLER (3X13-1/2"X12"-K)	1	UR SDS 3 BLADE
25	6EK-45947-00-00	PROPELLER (3X13-1/2"X14"-K)	1	UR SDS 3 BLADE
25	6EK-45949-00-00	PROPELLER (3X13-1/2"X16"-K)	1	UR SDS 3 BLADE
25	6N7-45970-00-00	PROPELLER (3X13-1/8"X14"-K)	1	UR SDS 3 BLADE
25	6N7-45972-00-00	PROPELLER (3X13-1/8"X16"-K)	1	UR SDS 3 BLADE
25	6N7-45974-00-00	PROPELLER (3X13-1/8"X18"-K)	1	UR SDS 3 BLADE
25	6N7-45976-00-00	PROPELLER (3X13-1/8"X19"-K)	1	UR SDS 3 BLADE

CONTINUED ON NEXT FRAME >

LOWER CASING DRIVE 2

REGULAR ROTATION



6EKC100-Z320

*: FROM REF.NO.2, REF.NO.5 TO REF.NO.30
EXCEPT FOR JET DRIVE(F115JB)

Ref No.	Part Number	Description	Qty	Remarks
25	6N7-45978-00-00	PROPELLER (3X13-1/8"X20"-K)	1	UR SDS 3 BLADE
25	6N7-45930-00-00	PROPELLER (3X13-1/8"X22"-K)	1	UR SDS 3 BLADE
25	6N7-45932-00-00	PROPELLER (3X13-1/8"X24"-K)	1	UR SDS 3 BLADE
25	6H1-45970-00-00	PROPELLER (3X14"X9"-K)	1	UR SDS 3 BLADE
25	6H1-45972-00-00	PROPELLER (3X14"X10"-K)	1	UR SDS 3 BLADE
25	6H1-45974-00-00	PROPELLER (3X14"X11"-K)	1	UR SDS 3 BLADE
25	6H1-45976-00-00	PROPELLER (3X14"X12"-K)	1	UR SDS 3 BLADE
25	6H1-45978-00-00	PROPELLER (3X14"X13"-K)	1	UR SDS 3 BLADE
26	6EK-45982-00-00	. .BUSH, PROPELLER	1	
27	6EK-45C82-09-00	. .DAMPER RUBBER, PROPELLER 2	1	
28	6N6-45B70-00-00	PROPELLER (4X13-1/4"X14"-X)	1	UR SDS 4 BLADE
28	6N6-45B72-00-00	PROPELLER (4X13-1/4"X16"-X)	1	UR SDS 4 BLADE
28	6N6-45B74-00-00	PROPELLER (4X13-1/4"X18"-X)	1	UR SDS 4 BLADE
28	6N6-45B76-00-00	PROPELLER (4X13-1/4"X20"-X)	1	UR SDS 4 BLADE
28	6N6-45B78-00-00	PROPELLER (4X13-1/4"X22"-X)	1	UR SDS 4 BLADE
28	6N6-45B80-00-00	PROPELLER (4X13-1/4"X23"-X)	1	UR SDS 4 BLADE
29	6EK-45982-00-00	. .BUSH, PROPELLER	1	
30	6EK-45C82-09-00	. .DAMPER RUBBER, PROPELLER 2	1	