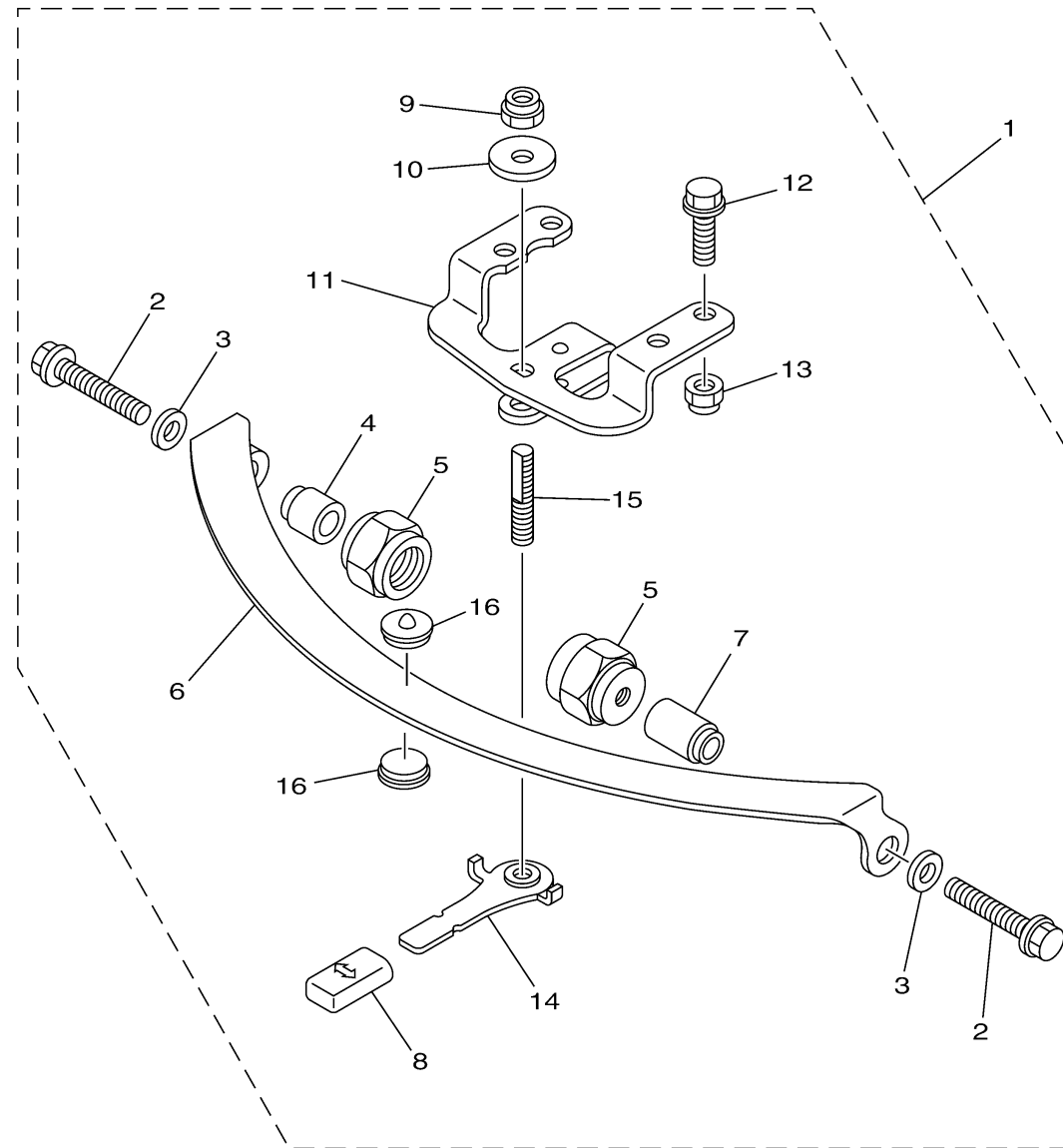


OPTIONAL PARTS 4



FWD
6FP1200-R390

Ref No.	Part Number	Description	Qty	Remarks
1	67G-42508-12-00	STEERING FRICTION ASSY	1	
2	90119-08193-00	. .BOLT, WITH WASHER	2	
3	90201-08M01-00	. .WASHER, PLATE	2	
4	67G-42541-00-00	. .PIPE 1	1	
5	67G-42546-00-00	. .NUT	2	
6	63D-42527-00-00	. .PLATE, FRICTION	1	
7	67G-42541-10-00	. .PIPE 1	1	
8	682-43318-01-00	. .COVER	1	
9	90185-10M14-00	. .NUT, SELF-LOCKING	1	
10	90201-10M76-00	. .WASHER, PLATE	1	
11	6X4-42526-00-00	. .PLATE, FRICTION	1	
12	97E95-08525-00	. .BOLT, HEXAGON W/W DEEP RECESS	2	
13	90185-08057-00	. .NUT, SELF-LOCKING	2	
14	67G-42561-00-00	. .KNOB, STEERING LOCK	1	
15	67G-42562-00-00	. .SHAFT, STEERING LOCK	1	
16	63D-42528-00-00	. .PLATE, FRICTION	2	