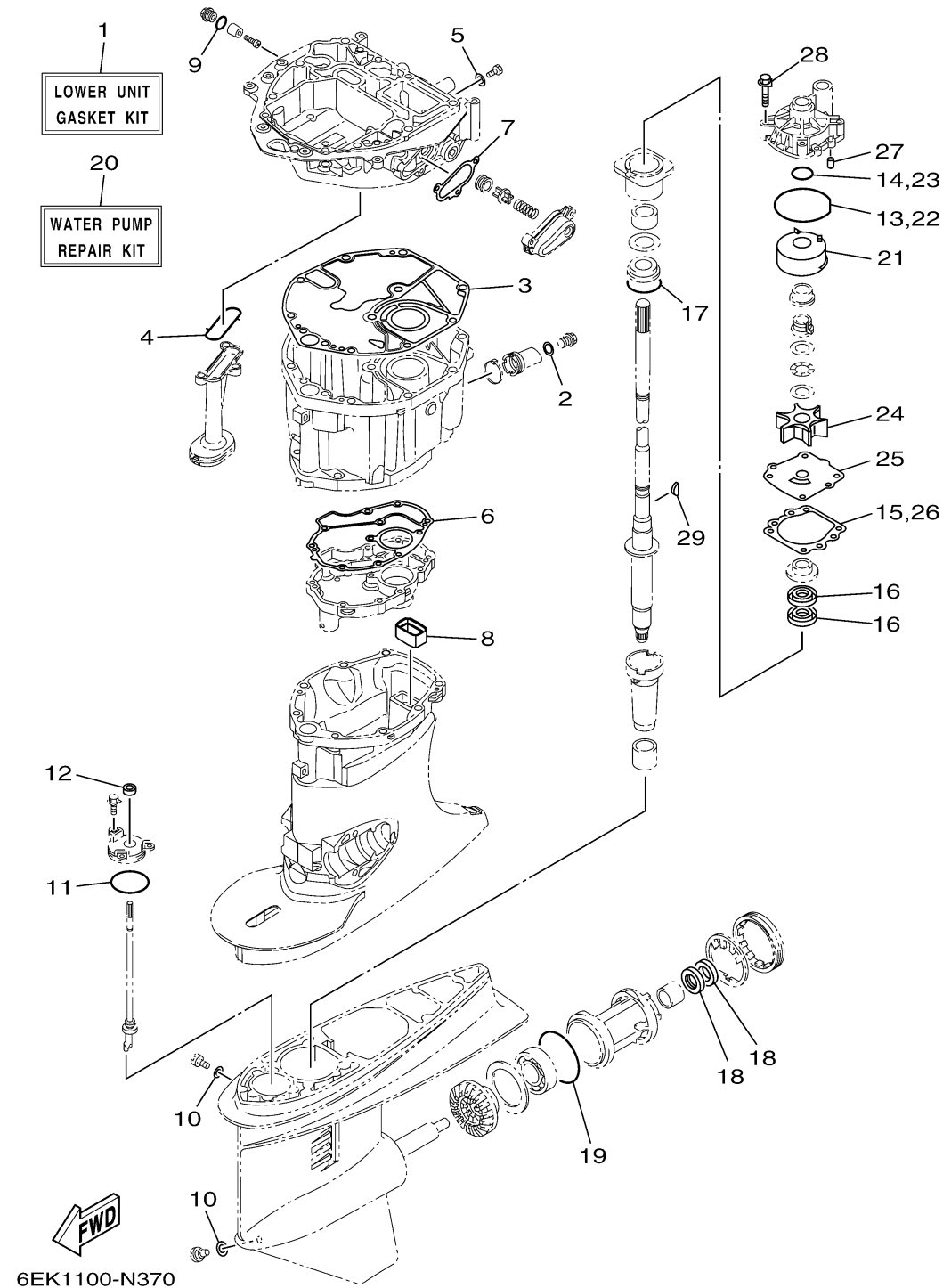


REPAIR KIT 2

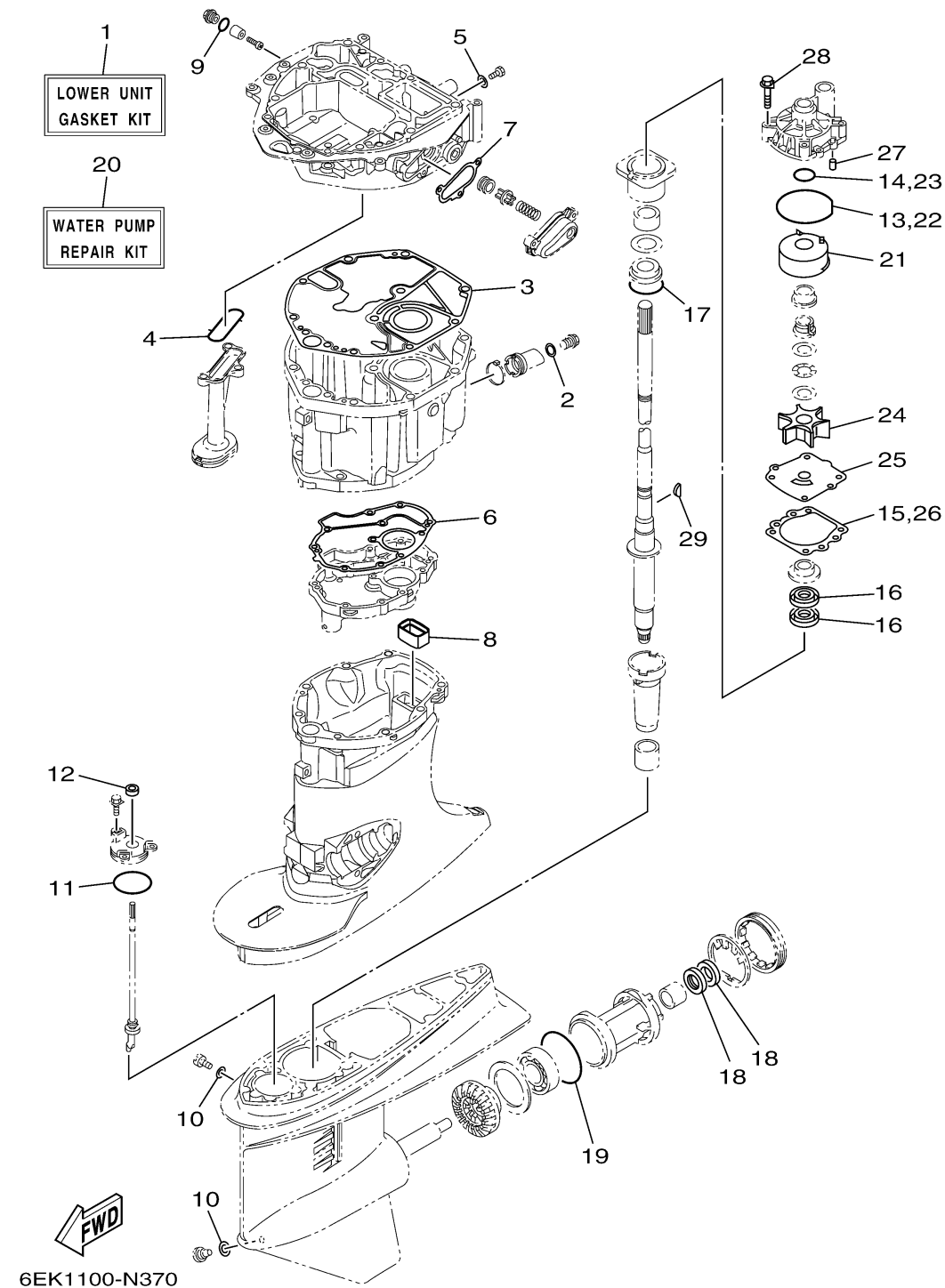


*: EXCEPT FOR JET DRIVE(F115JB)

Ref No.	Part Number	Description	Qty	Remarks
1	6EK-W0001-21-00	LOWER UNIT GASKET KIT	1	
2	90430-14M09-00	..GASKET	1	
3	6EK-15312-01-00	..GASKET, OIL PAN	1	
4	67F-13415-00-00	..SEAL, OIL STRAINER	1	
5	90430-08143-00	..GASKET	1	
6	6EK-41134-00-00	..GASKET, EXHAUST MANIFOLD 2	1	
7	6EK-12435-A0-00	..GASKET	1	
8	67F-45127-00-00	..SEAL	1	
9	93210-13M63-00	..O-RING	1	
10	90430-08003-00	..GASKET	2	
11	93210-58144-00	..O-RING	1	
12	93106-09014-00	..OIL SEAL	1	
13	93210-86M38-00	..O-RING	1	
14	93210-37160-00	..O-RING	1	
15	6E5-44315-A0-00	..GASKET, WATER PUMP	1	
16	93101-28M16-00	..OIL SEAL	2	
17	93210-55M14-00	..O-RING	1	
18	93101-30M17-00	..OIL SEAL	2	
19	93210-86M39-00	..O-RING	1	
20	68V-W0078-01-00	WATER PUMP REPAIR KIT	1	

CONTINUED ON NEXT FRAME >

REPAIR KIT 2



*: EXCEPT FOR JET DRIVE(F115JB)

Ref No.	Part Number	Description	Qty	Remarks
21	61A-44322-02-00	..INSERT, CARTRIDGE	1	
22	93210-86M38-00	..O-RING	1	
23	93210-37160-00	..O-RING	1	
24	6E5-44352-01-00	..IMPELLER	1	
25	6EK-44323-00-00	..OUTER PLATE, CARTRIDGE	1	
26	6E5-44315-A0-00	..GASKET, WATER PUMP	1	
27	93606-12019-00	..PIN, DOWEL	2	
28	90119-08191-00	..BOLT, WITH WASHER	4	
29	90280-04M05-00	..KEY, WOODRUFF	1	