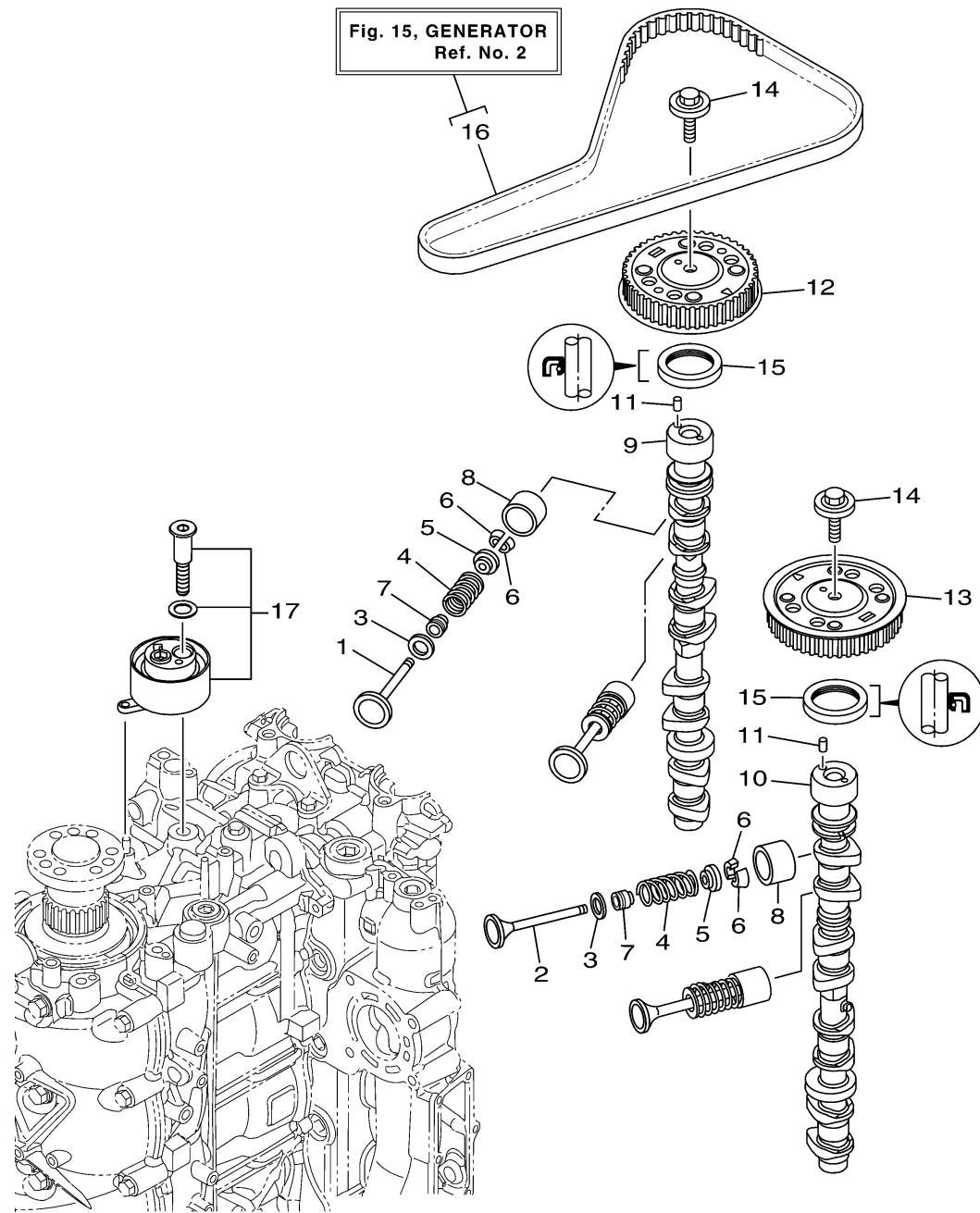


FWD
6EM1100-P060

VALVE

Ref No.	Part Number	Description	Qty	Remarks
1	6EK-12111-00-00	VALVE, INTAKE	8	
2	6EK-12121-00-00	VALVE, EXHAUST	8	
3	62Y-12116-00-00	SEAT, VALVE SPRING	16	
4	30X-12114-00-00	SPRING, VALVE OUTER	16	
5	30X-12117-00-00	RETAINER, VALVE SPRING	16	
6	30X-12118-00-00	LOCK, VALVE SPRING RETAINER	32	
7	51Y-12119-00-00	SEAL, VALVE STEM	16	
8	6D8-12153-00-00	LIFTER, VALVE (12)	16	UR
8	6D8-12153-10-00	LIFTER, VALVE (14)	16	UR
8	6D8-12153-20-00	LIFTER, VALVE (16)	16	UR
8	6D8-12153-30-00	LIFTER, VALVE (18)	16	UR
8	6D8-12153-40-00	LIFTER, VALVE (20)	16	UR
8	6D8-12153-50-00	LIFTER, VALVE (22)	16	UR
8	6D8-12153-60-00	LIFTER, VALVE (24)	16	UR
8	6D8-12153-70-00	LIFTER, VALVE (26)	16	UR
8	6D8-12153-80-00	LIFTER, VALVE (28)	16	UR
8	6D8-12153-90-00	LIFTER, VALVE (30)	16	UR
8	6D8-12153-A0-00	LIFTER, VALVE (32)	16	UR
8	6D8-12153-B0-00	LIFTER, VALVE (34)	16	UR
8	6D8-12153-C0-00	LIFTER, VALVE (36)	16	UR

CONTINUED ON NEXT FRAME >

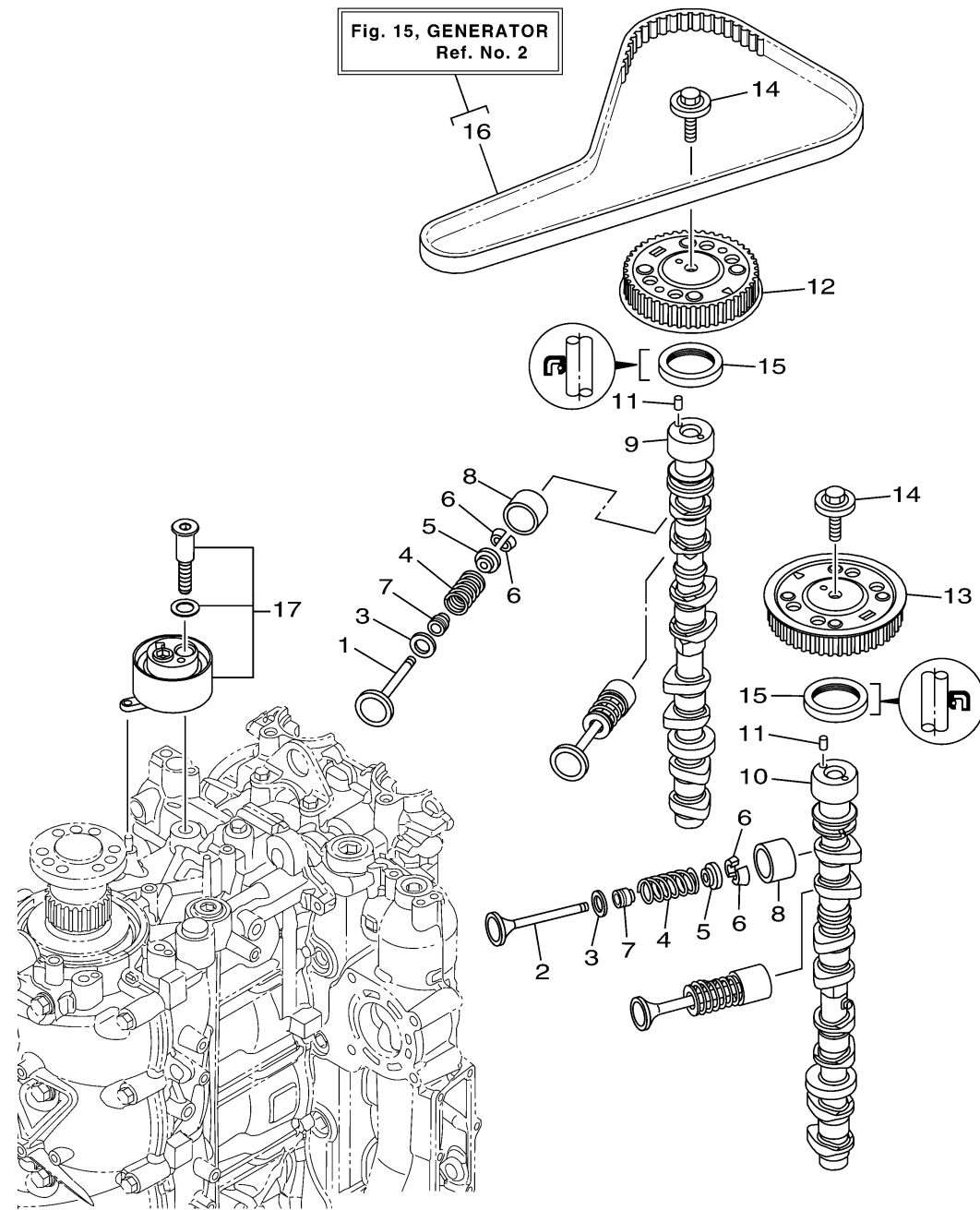


FWD
6EM1100-P060

VALVE

Ref No.	Part Number	Description	Qty	Remarks
8	6D8-12153-D0-00	LIFTER, VALVE (38)	16	UR
8	6D8-12153-E0-00	LIFTER, VALVE (40)	16	UR
8	6D8-12153-F0-00	LIFTER, VALVE (42)	16	UR
8	6D8-12153-G0-00	LIFTER, VALVE (44)	16	UR
8	6D8-12153-H0-00	LIFTER, VALVE (46)	16	UR
8	6D8-12153-J0-00	LIFTER, VALVE (48)	16	UR
8	6D8-12153-K0-00	LIFTER, VALVE (50)	16	UR
8	6D8-12153-L0-00	LIFTER, VALVE (52)	16	UR
8	6D8-12153-M0-00	LIFTER, VALVE (54)	16	UR
8	6D8-12153-N0-00	LIFTER, VALVE (56)	16	UR
8	6D8-12153-P0-00	LIFTER, VALVE (58)	16	UR
8	6D8-12153-R0-00	LIFTER, VALVE (60)	16	UR
8	6D8-12153-S0-00	LIFTER, VALVE (62)	16	UR
8	6D8-12153-T0-00	LIFTER, VALVE (64)	16	UR
8	6D8-12153-U0-00	LIFTER, VALVE (66)	16	UR
8	6D8-12153-V0-00	LIFTER, VALVE (68)	16	UR
9	6EK-12171-00-00	CAMSHAFT 1	1	
10	6EK-12181-00-00	CAMSHAFT 2	1	
11	93605-10108-00	.PIN, DOWEL	2	
12	6EK-11537-00-00	GEAR, DRIVEN	1	

CONTINUED ON NEXT FRAME >



FWD
6EM1100-P060

VALVE

Ref No.	Part Number	Description	Qty	Remarks
13	6EK-11567-00-00	GEAR, DRIVEN 2	1	
14	90119-10050-00	BOLT, WITH WASHER	2	
15	93102-38008-00	.OIL SEAL	2	
16	6EK-W4624-00-00	BELT (WITH ROTOR BOLTS)	1	
17	6EK-11590-04-00	TENSIONER ASSY	1	