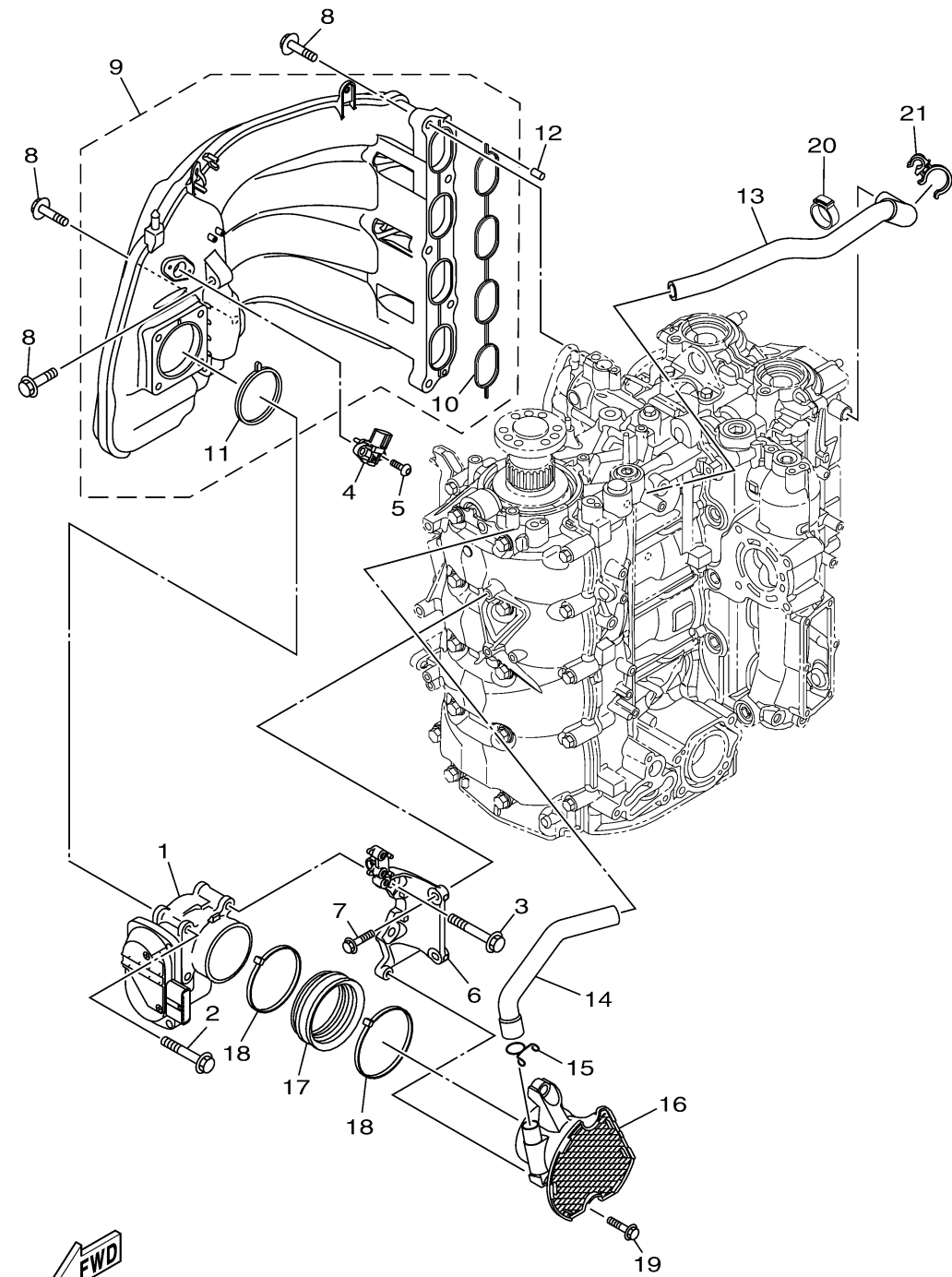


INTAKE 1

Ref No.	Part Number	Description	Qty	Remarks
21	90464-21002-00	CLAMP	1	



6EM5100-T070