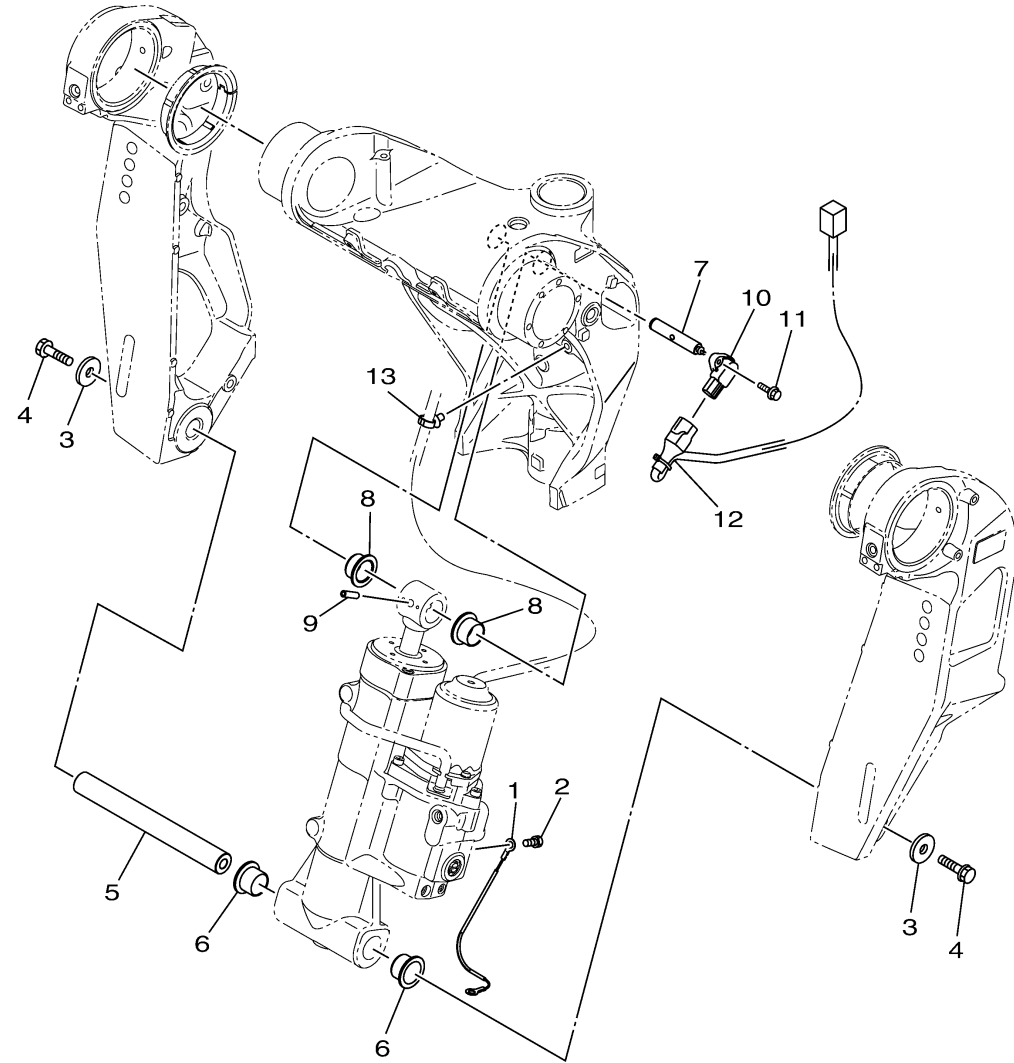


BRACKET 2

Ref No.	Part Number	Description	Qty	Remarks
1	6T4-82117-00-00	WIRE, LEAD	1	
2	95D95-06010-00	BOLT, FLANGE DEEP RECESS	1	
3	90201-10060-00	WASHER, PLATE	2	
4	90119-10054-00	BOLT, WITH WASHER	2	
5	6BC-43818-00-00	PIN, LOWER SHOCK MOUNT	1	
6	90386-22M98-00	BUSH	2	
7	6LH-43126-00-00	PIN, UPPER SHOCK MOUNT	1	
8	90386-22M98-00	BUSH	2	
9	91690-60022-00	PIN, SPRING	1	
10	6GR-85887-00-00	SENSOR, ANGLE	1	
11	97595-05516-00	BOLT, WITH WASHER	2	
12	6LH-82553-00-00	EXTENSION, WIRE LEAD	1	
13	90464-31002-00	CLAMP	1	



6MA1100-X250