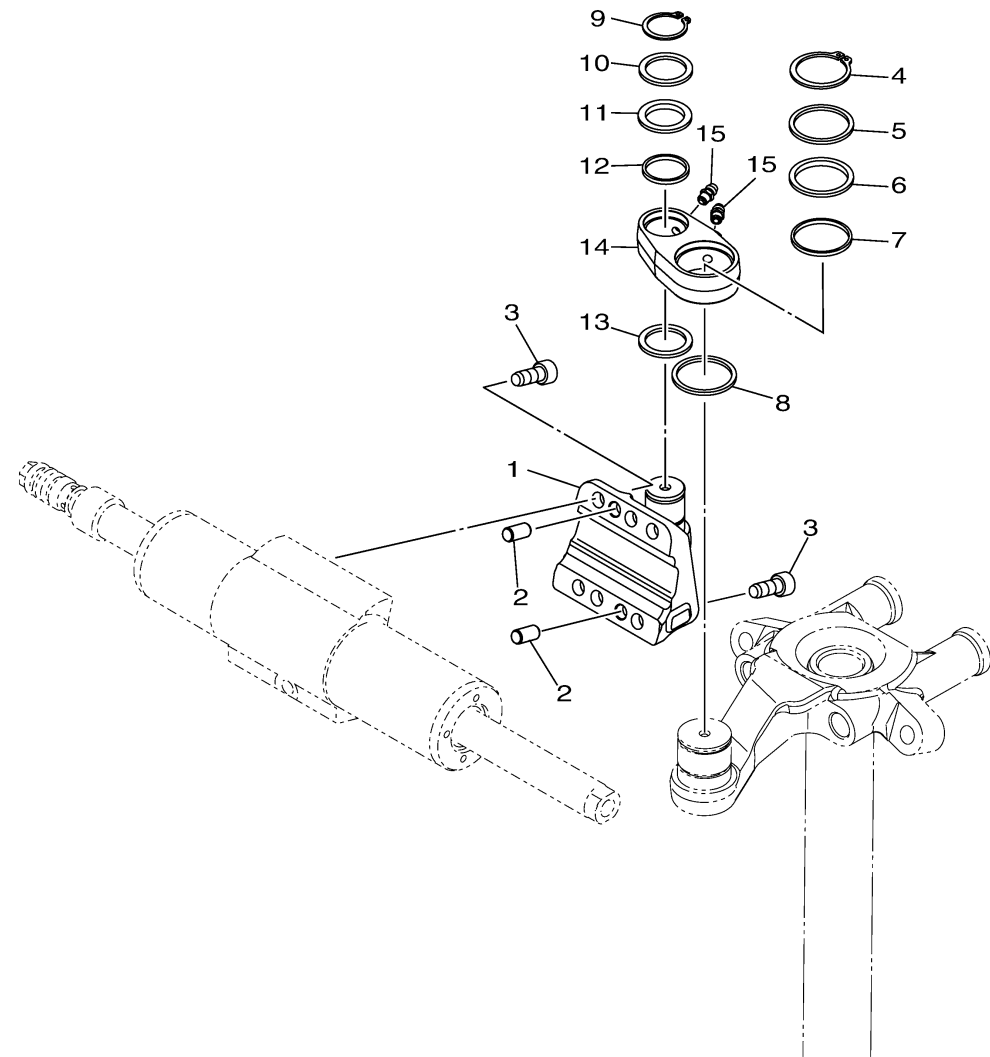


BRACKET 5

Ref No.	Part Number	Description	Qty	Remarks
1	6LP-43676-00-8D	HOOK	1	
2	93608-16M16-00	PIN, DOWEL	2	
3	90110-08133-00	BOLT, HEXAGON SOCKET HEAD	6	
4	93410-30101-00	CIRCLIP	1	
5	90201-31008-00	WASHER, PLATE	1	
6	90387-30015-00	COLLAR	1	
7	93210-29282-00	O-RING	1	
8	90202-31001-00	WASHER, PLATE	1	
9	93410-22M11-00	CIRCLIP	1	
10	90201-23018-00	WASHER, PLATE	1	
11	90387-22040-00	COLLAR	1	
12	93210-22298-00	O-RING	1	
13	90202-23001-00	WASHER, PLATE	1	
14	6LP-48133-00-00	PLATE, LINK	1	
15	93700-06002-00	NIPPLE, GREASE	2	



6LP1100-X320