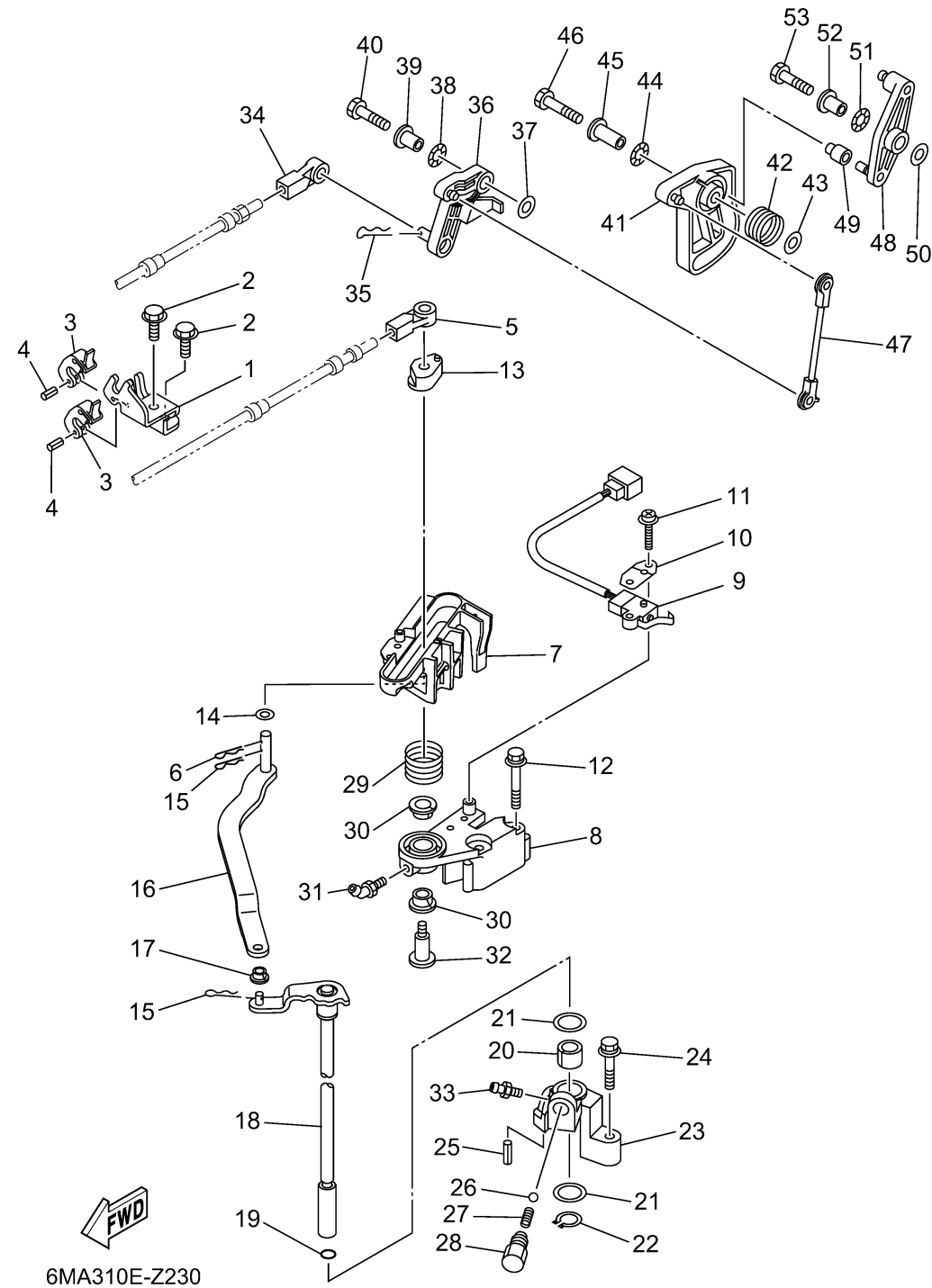


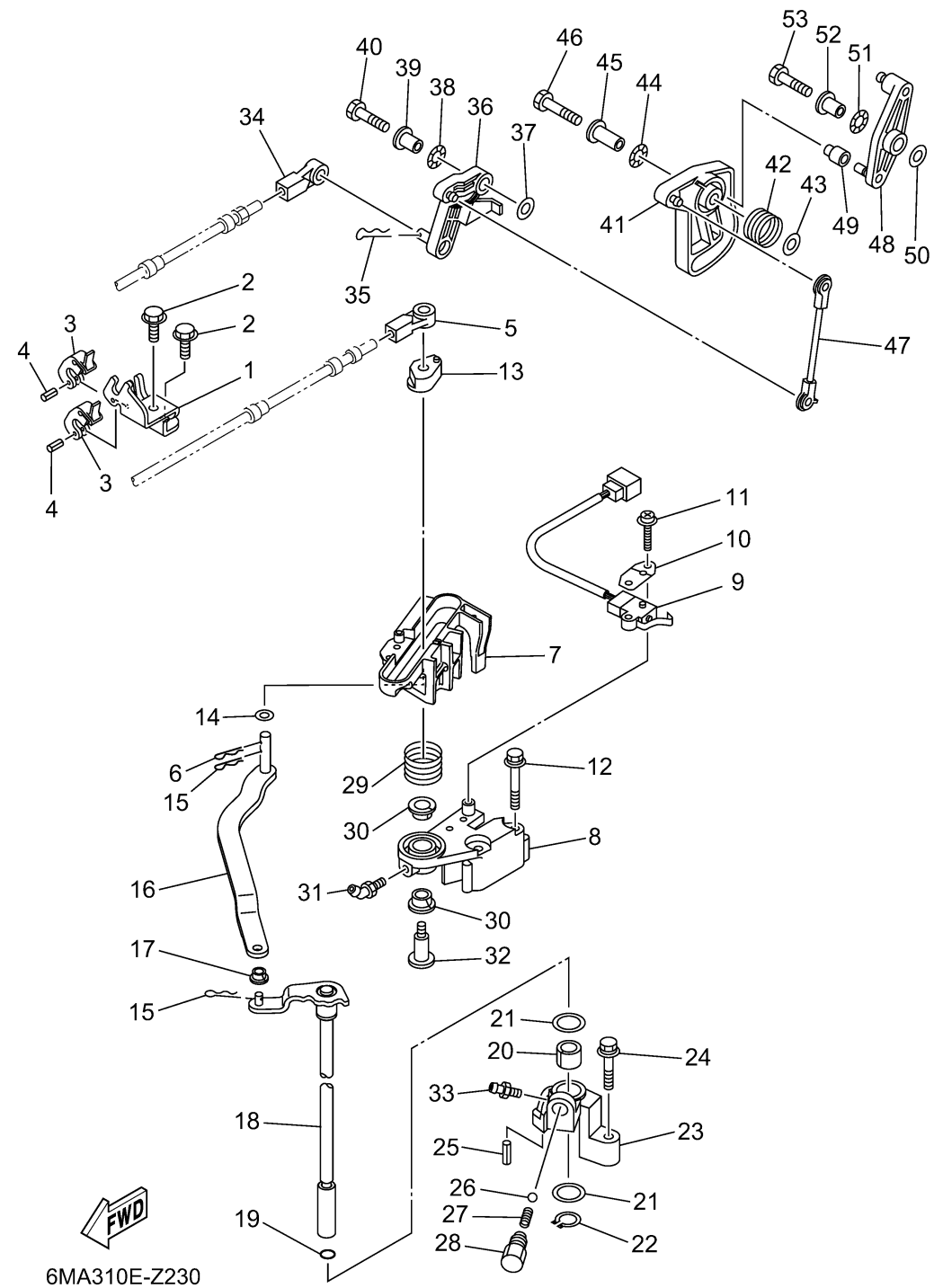
# CONTROL



6MA310E-Z230

Ref No.	Part Number	Description	Qty	Remarks
1	63P-48531-10-00	BRACKET, REMOTE CONTROL 1	1	
2	90109-06316-00	BOLT	2	
3	6E5-48538-00-00	CLAMP, CABLE	2	
4	91690-30010-00	PIN, SPRING	2	
5	6E5-48344-00-00	CABLE END, REMOTE CONTROL	1	
6	90468-18008-00	CLIP	1	
7	6DA-44176-00-00	BRACKET	1	
8	63P-44117-01-00	BRACKET	1	
9	69J-8259F-00-00	SWITCH ASSY	1	
10	61A-82588-01-00	PLATE	1	
11	97985-04116-00	SCREW, WITH WASHER	2	
12	97E95-06550-00	BOLT, HEXAGON W/W DEEP RECESS	2	
13	63P-44122-00-00	BUSHING, SHIFT ROD LEVER	1	
14	90202-08M20-00	WASHER, PLATE	1	
15	90468-18008-00	CLIP	2	
16	6DA-44121-00-00	LEVER, SHIFT ROD	1	
17	90386-06M12-00	BUSH	1	
18	6DA-44120-12-00	HANDLE GEAR SHIFT ASSY	1	L(20.3")
19	93210-09165-00	O-RING	1	
20	90386-16M66-00	BUSH	1	

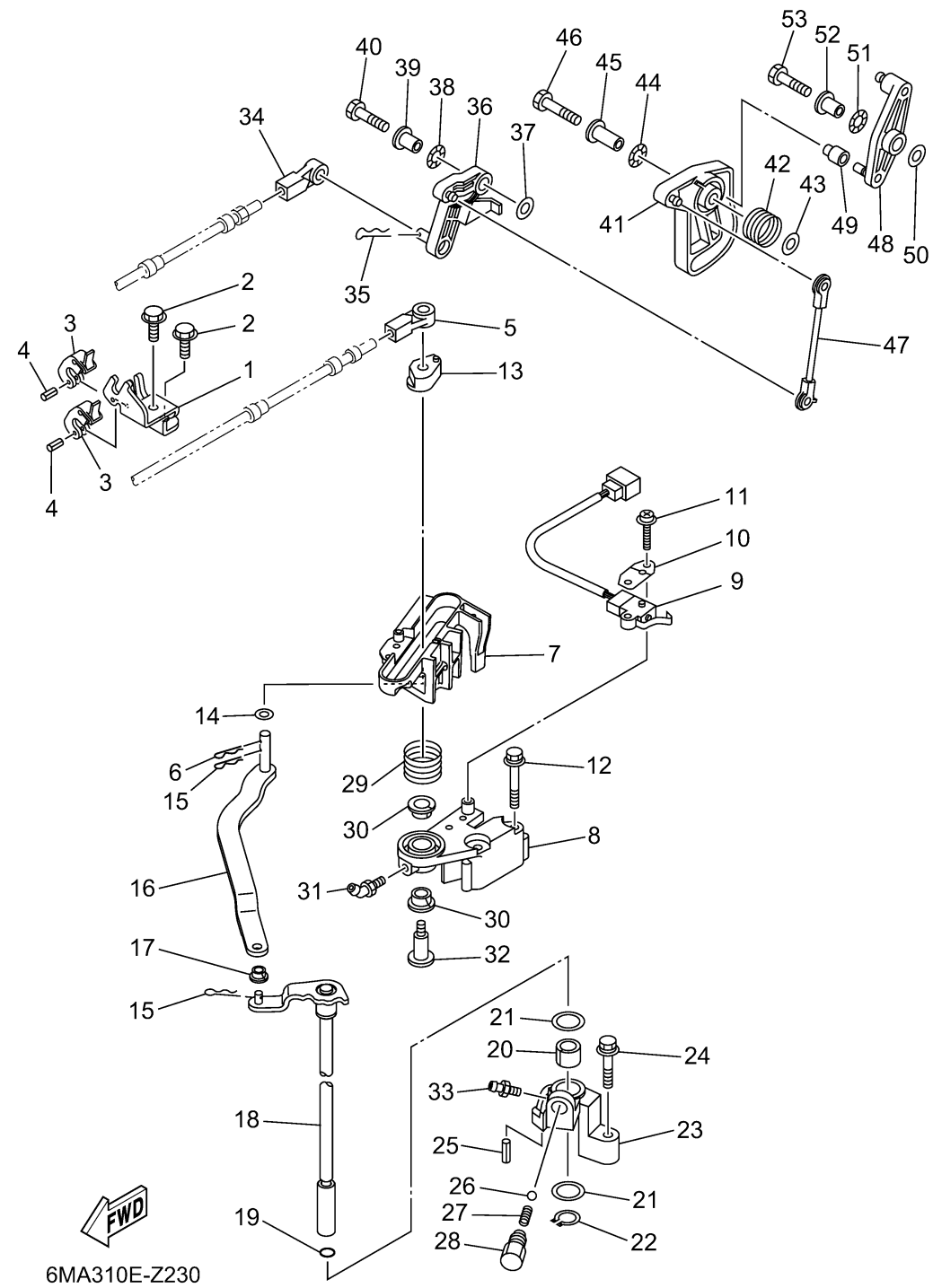
CONTINUED ON NEXT FRAME >



# CONTROL

Ref No.	Part Number	Description	Qty	Remarks
21	90202-16061-00	WASHER, PLATE	2	
22	93410-16006-00	CIRCLIP	1	
23	63P-44118-00-00	BRACKET	1	
24	97E75-06535-00	BOLT, HEXAGON W/W DEEP RECESS	1	
25	91690-30010-00	PIN, SPRING	1	
26	93501-04M02-00	BALL	1	
27	90501-12082-00	SPRING, COMPRESSION	1	
28	648-42715-00-00	BUSHING 2	1	
29	90508-20M31-00	SPRING, TORSION	1	
30	90386-12069-00	BUSH	2	
31	93700-06M01-00	NIPPLE, GREASE	1	
32	90109-08019-00	BOLT	1	
33	93700-06M03-00	NIPPLE, GREASE	1	
34	6E5-48344-00-00	CABLE END, REMOTE CONTROL	1	
35	90468-18008-00	CLIP	1	
36	63P-42154-10-00	LEVER, THROTTLE CONTROL	1	
37	90201-06M31-00	WASHER, PLATE	1	
38	90206-10M04-00	WASHER, WAVE	1	
39	90387-06M29-00	COLLAR	1	
40	97D95-06025-00	BOLT, HEXAGON DEEP RECESS	1	

CONTINUED ON NEXT FRAME >



# CONTROL

Ref No.	Part Number	Description	Qty	Remarks
41	63P-41213-00-00	CAM, ACCEL.	1	
42	69J-44135-00-00	SPRING	1	
43	90201-06M31-00	WASHER, PLATE	1	
44	90206-10M04-00	WASHER, WAVE	1	
45	90387-06M82-00	COLLAR	1	
46	97D95-06035-00	BOLT, HEXAGON DEEP RECESS	1	
47	63P-41237-00-00	JOINT, LINK	1	
48	63P-42157-00-00	LEVER, THROTTLE	1	
49	68V-42171-00-00	BUSHING	1	
50	90201-06M31-00	WASHER, PLATE	1	
51	90206-10M04-00	WASHER, WAVE	1	
52	90387-06M29-00	COLLAR	1	
53	97D95-06025-00	BOLT, HEXAGON DEEP RECESS	1	