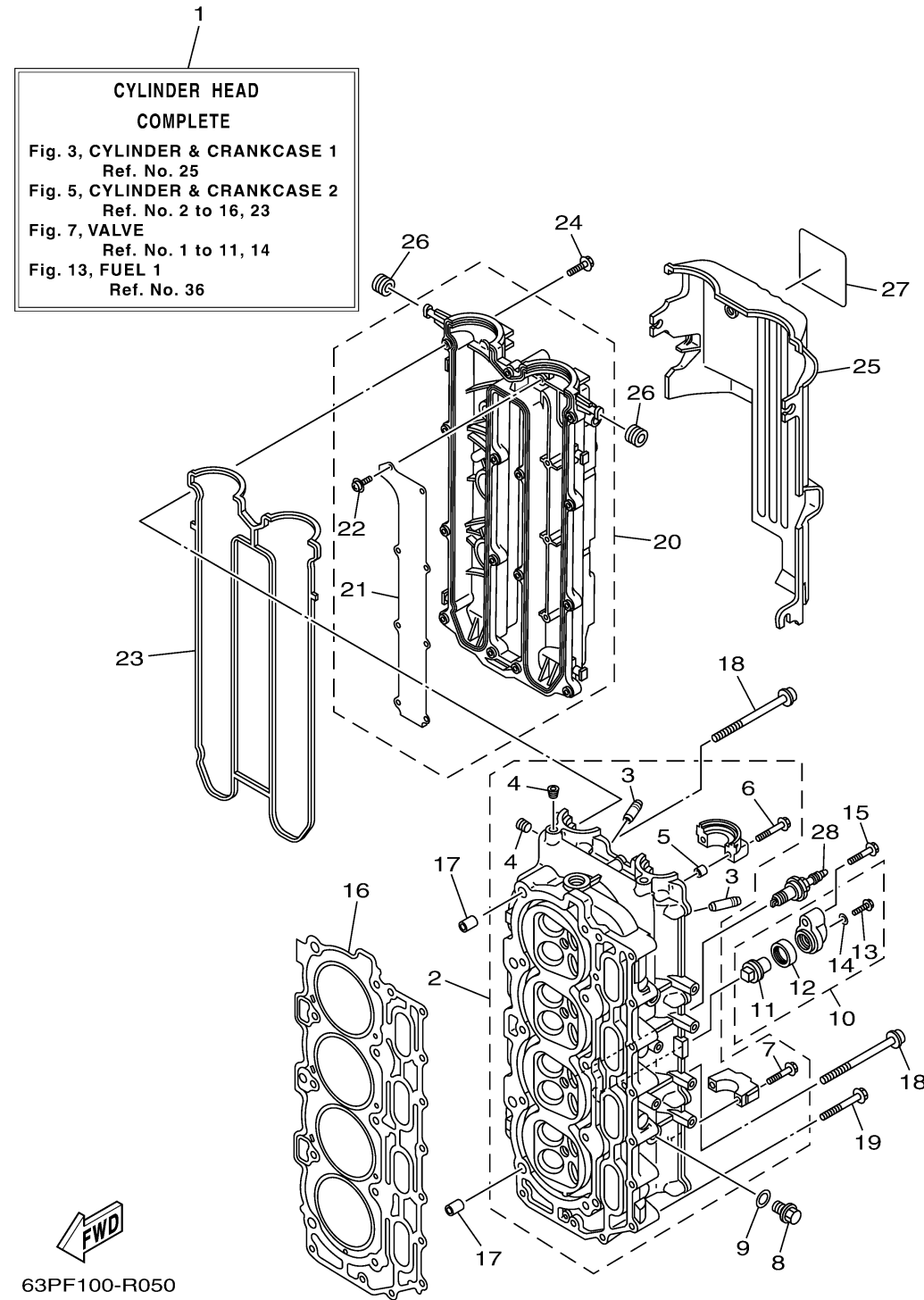


CYLINDER CRANKCASE 2

Ref No.	Part Number	Description	Qty	Remarks
1	63P-W009A-07-9S	CYLINDER HEAD COMPLETE	1	
2	63P-11110-11-9S	CYLINDER HEAD ASSY	1	
3	6DA-11133-10-00	. .GUIDE, VALVE 1	16	
4	90344-51019-00	. .PLUG, TAPER SCREW	3	
5	91809-08006-00	. .PIN, DOWEL	4	
6	90119-07235-00	. .BOLT/WASHER-CAM CAPS	4	
7	90119-07234-00	. .BOLT, WITH WASHER	16	
8	90340-14M06-00	PLUG, STRAIGHT SCREW	2	
9	90430-14115-00	.GASKET	2	
10	69J-11301-02-00	ANODE COVER ASSY	2	
11	6ML-11325-00-00	. .ANODE	1	
12	67F-11328-01-00	. .GROMMET, ANODE	1	
13	90105-06M07-00	. .BOLT, FLANGE	1	
14	90430-06M03-00	. .GASKET	1	
15	97E75-08540-00	BOLT, HEXAGON W/W DEEP RECESS	2	
16	63P-11181-00-00	.GASKET, CYLINDER HEAD 1	1	
17	99530-14016-00	PIN, DOWEL	2	
18	90155-10010-00	SCREW, FLAT FILLISTER	10	
19	90119-08M91-00	BOLT, WITH WASHER	10	
20	63P-11191-00-9S	COVER, CYLINDER HEAD 1	1	

CONTINUED ON NEXT FRAME >



CYLINDER CRANKCASE 2

Ref No.	Part Number	Description	Qty	Remarks
21	63P-11135-00-00	. .PLATE, BREATHER 3	1	
22	97607-04208-00	. .SCREW, WITH WASHER	8	
23	63P-11193-00-00	.GASKET, HEAD COVER 1	1	
24	97E95-06530-00	BOLT, HEXAGON W/W DEEP RECESS	13	
25	63P-11192-01-00	COVER, CYLINDER HEAD 2	1	
26	90480-12314-00	GROMMET	5	
27	63P-83626-00-00	MARK 6	1	
28	LFR-5A110-00-00	PLUG, SPARK (NGK LFR5A-11)	4	

