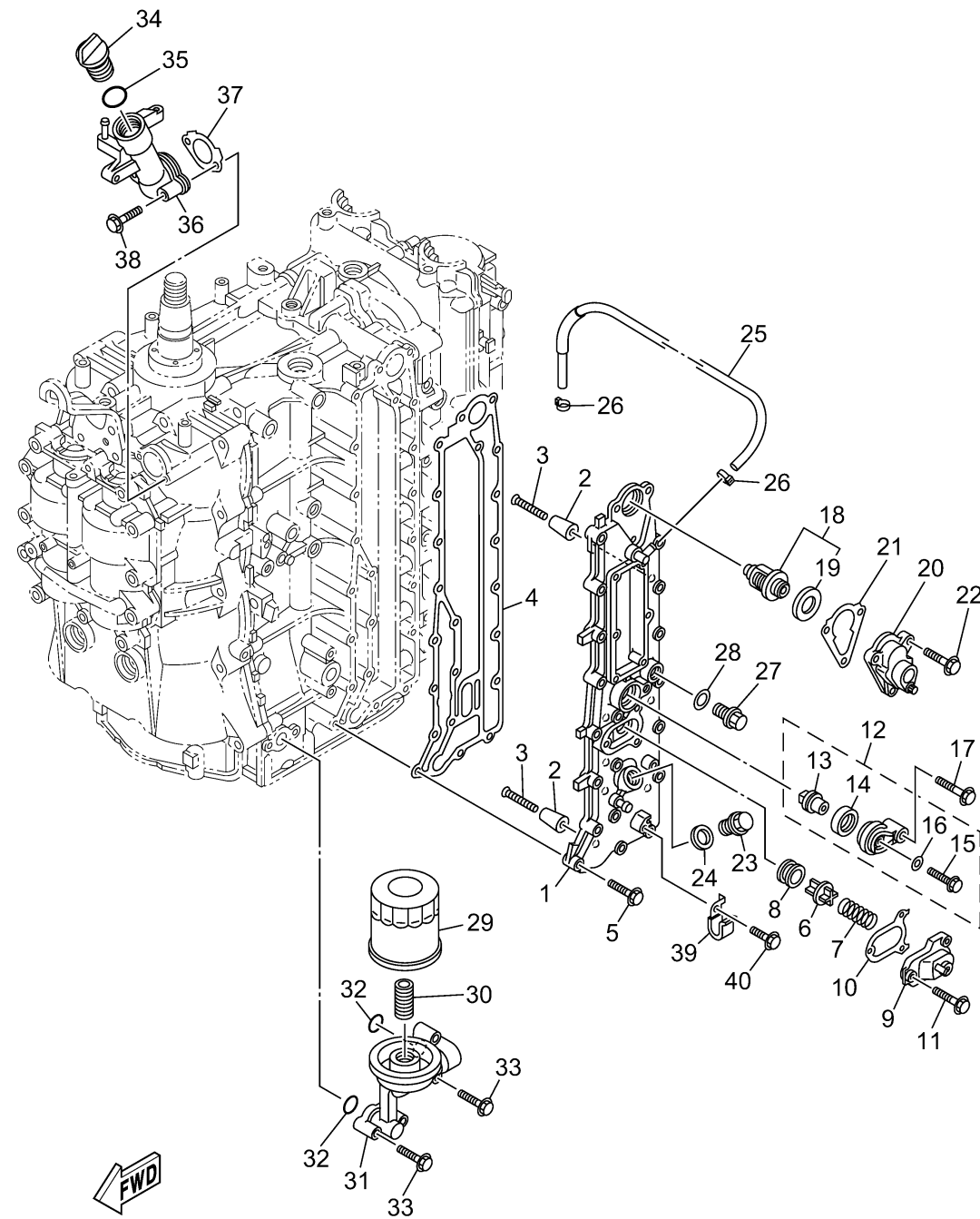


CYLINDER CRANKCASE 3

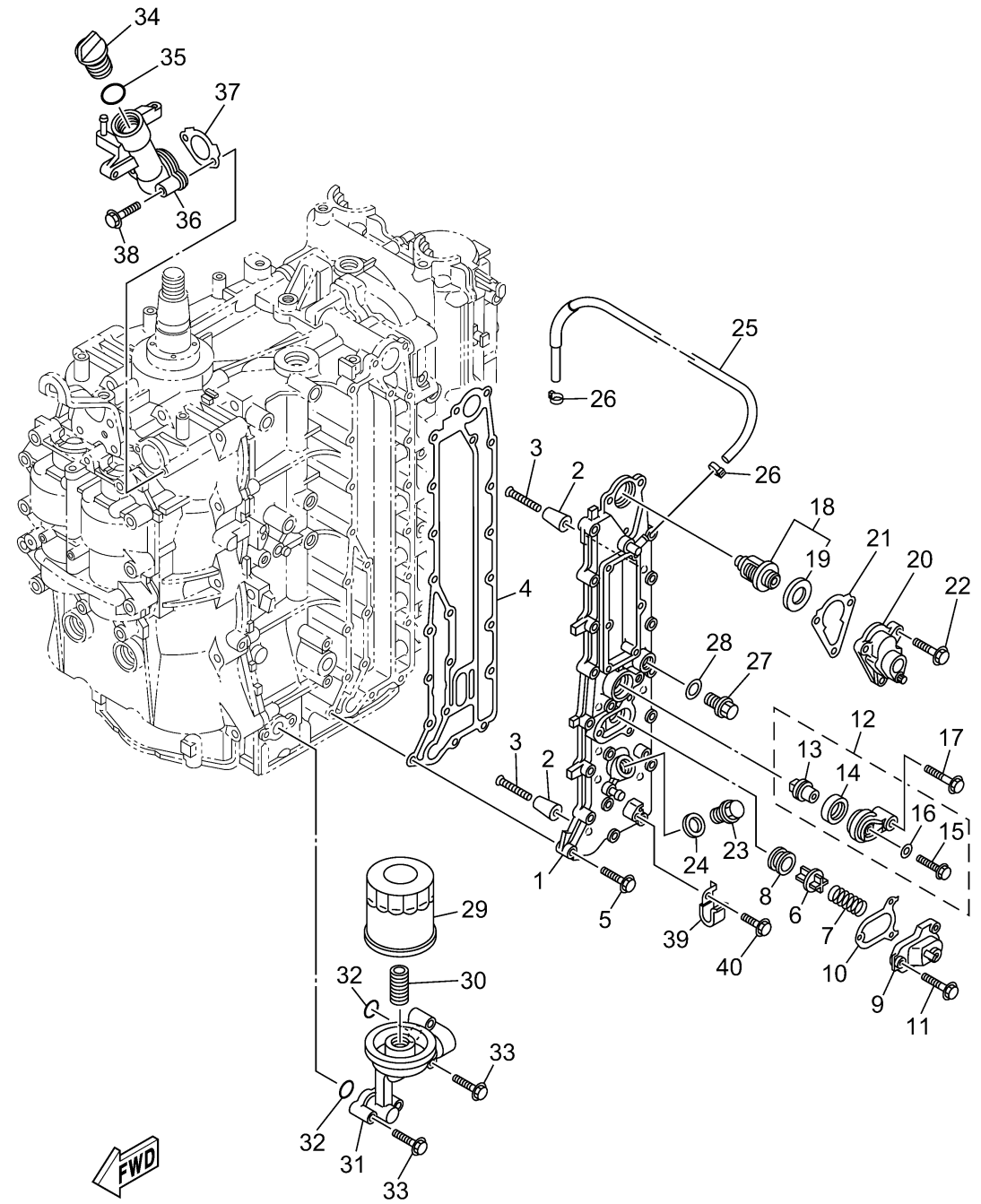


6MA4100-1060

Ref No.	Part Number	Description	Qty	Remarks
1	63P-41113-04-9S	OUTER COVER, EXHAUST	1	
2	68T-11325-00-00	ANODE	8	
3	90151-05M05-00	SCREW, COUNTERSUNK	8	
4	63P-41114-A3-00	.GASKET, EXHAUST OUTER COVER	1	
5	90119-06MA4-00	BOLT, WITH WASHER	19	
6	6G5-12416-00-00	VALVE, PRESSURE CONTROL	1	
7	90501-16M11-00	SPRING, COMPRESSION	1	
8	90480-20M05-00	GROMMET	1	
9	67F-1246A-B0-9S	COVER 1	1	
10	67F-12435-A0-00	.GASKET	1	
11	90119-06MA2-00	BOLT, WITH WASHER	3	
12	69J-11301-02-00	ANODE COVER ASSY	1	
13	6ML-11325-00-00	.ANODE	1	
14	67F-11328-01-00	.GROMMET, ANODE	1	
15	90105-06M07-00	.BOLT, FLANGE	1	
16	90430-06M03-00	.GASKET	1	
17	97E75-08540-00	BOLT, HEXAGON W/W DEEP RECESS	1	
18	67F-12411-01-00	THERMOSTAT	1	
19	67F-12412-00-00	.SEAL, THERMOSTAT	1	
20	63P-1240H-01-9S	COVER ASSEMBLY	1	

CONTINUED ON NEXT FRAME >

CYLINDER CRANKCASE 3



6MA4100-1060

Ref No.	Part Number	Description	Qty	Remarks
21	63P-12414-00-00	.GASKET, COVER	1	
22	90119-06MA4-00	BOLT, WITH WASHER	3	
23	90340-18M09-00	.PLUG, STRAIGHT SCREW	1	
24	90201-186F1-00	.WASHER, PLATE	1	
25	63P-1243A-00-00	HOSE 1	1	
26	90465-11M10-00	CLAMP	2	
27	90340-14M06-00	PLUG, STRAIGHT SCREW	1	
28	90430-14115-00	.GASKET	1	
29	69J-13440-05-00	ELEMENT ASSY, OIL CLEANER	1	
30	6S5-12858-00-00	BOLT, UNION	1	
31	63P-13446-01-00	CONNECTOR	1	
32	93210-19MJ1-00	.O-RING	2	
33	97E75-06540-00	BOLT, HEXAGON W/W DEEP RECESS	4	
34	6G8-15363-00-00	PLUG, OIL	1	
35	93210-24M79-00	.O-RING	1	
36	63P-15319-00-9S	JOINT	1	
37	63P-15364-A0-00	.GASKET, OIL PLUG	1	
38	97E95-06545-00	BOLT, HEXAGON W/W DEEP RECESS	2	
39	90462-06013-00	CLAMP	1	
40	97E95-06512-00	BOLT, HEXAGON W/W DEEP RECESS	1	