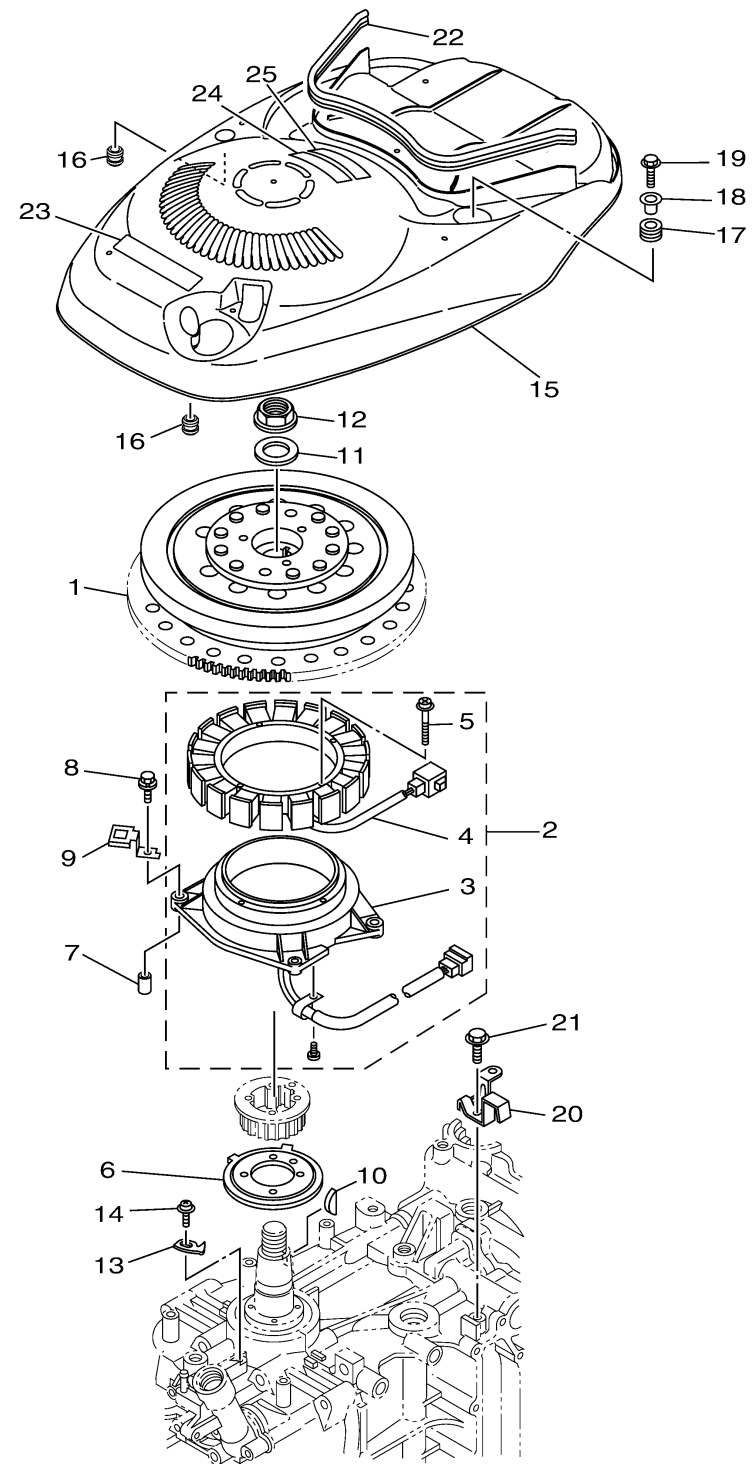


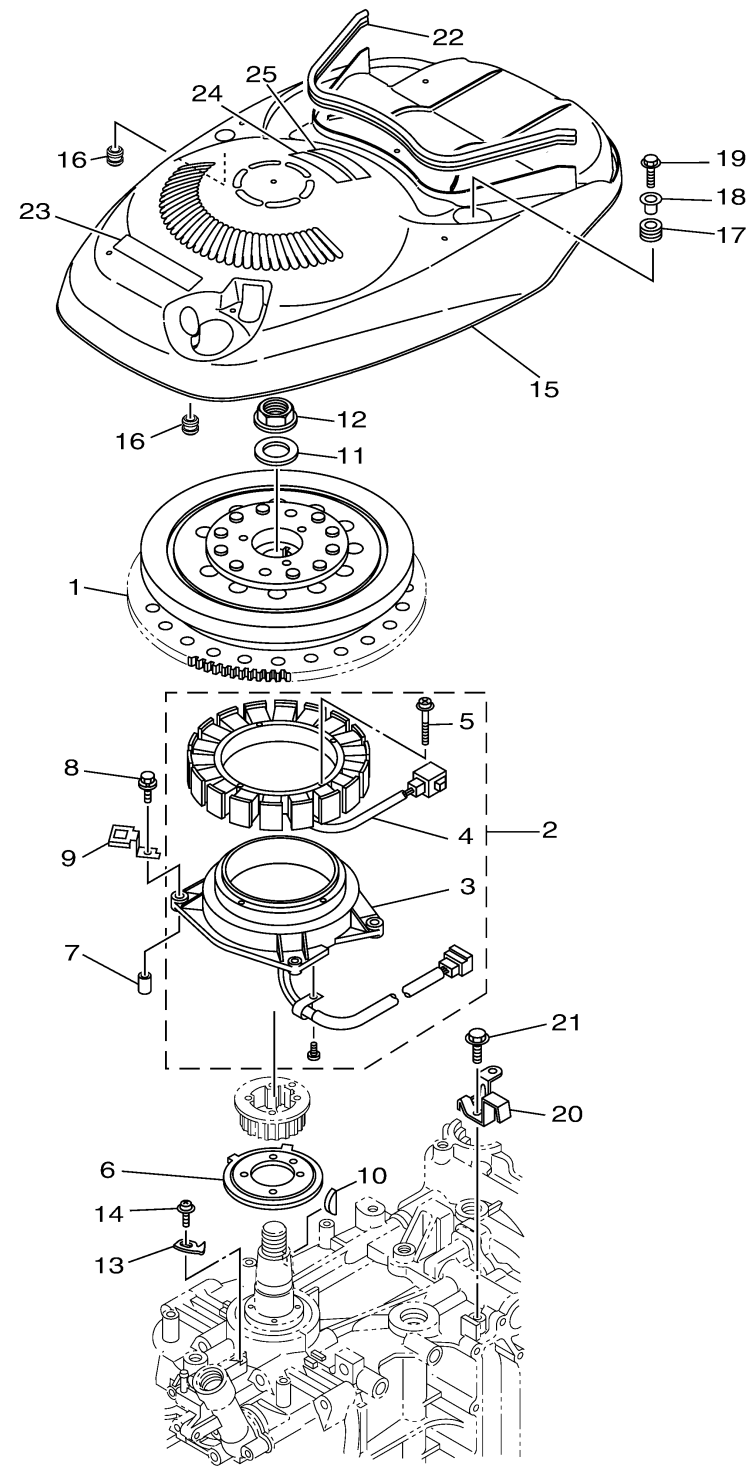
# GENERATOR




Ref No.	Part Number	Description	Qty	Remarks
1	63P-81450-00-00	ROTOR ASSY	1	
2	63P-81460-01-00	BASE ASSY	1	
3	63P-85580-01-00	. .COIL, PULSER	1	
4	63P-81410-00-00	. .STATOR ASSY	1	
5	63D-81345-20-00	. .SCREW, WITH WASHER (M6X30)	4	
6	63P-81673-01-00	ROTOR	1	
7	99530-08012-00	.PIN, DOWEL	2	
8	97E95-06635-00	BOLT, HEXAGON W/W DEEP RECESS	4	
9	63P-81845-00-00	PLATE	2	
10	90280-05015-00	KEY, WOODRUFF	1	
11	90201-24014-00	WASHER, PLATE	1	
12	90179-24002-00	NUT	1	
13	6P2-81332-00-00	PLATE, TIMING	1	
14	97985-06210-00	SCREW, WITH WASHER	1	
15	63P-81337-11-00	COVER, FLYWHEEL	1	
16	6A0-82317-01-00	DAMPER, IGNITION COIL	2	
17	90480-15M31-00	GROMMET	1	
18	90387-06285-00	COLLAR	1	
19	95D95-06020-00	BOLT, FLANGE DEEP RECESS	1	
20	63P-8132G-10-00	PLATE	1	

CONTINUED ON NEXT FRAME >

  
63PF100-R150



  
63PF100-R150

# GENERATOR

Ref No.	Part Number	Description	Qty	Remarks
21	97E95-06516-00	BOLT, HEXAGON W/W DEEP RECESS	1	
22	6DA-42617-00-00	DAMPER, FORM	1	
23	63P-13437-63-00	MARK, CAUTION	1	
24	6EE-81994-41-00	LABEL, SAFETY	1	
25	6EE-81994-51-00	LABEL, SAFETY	1	