

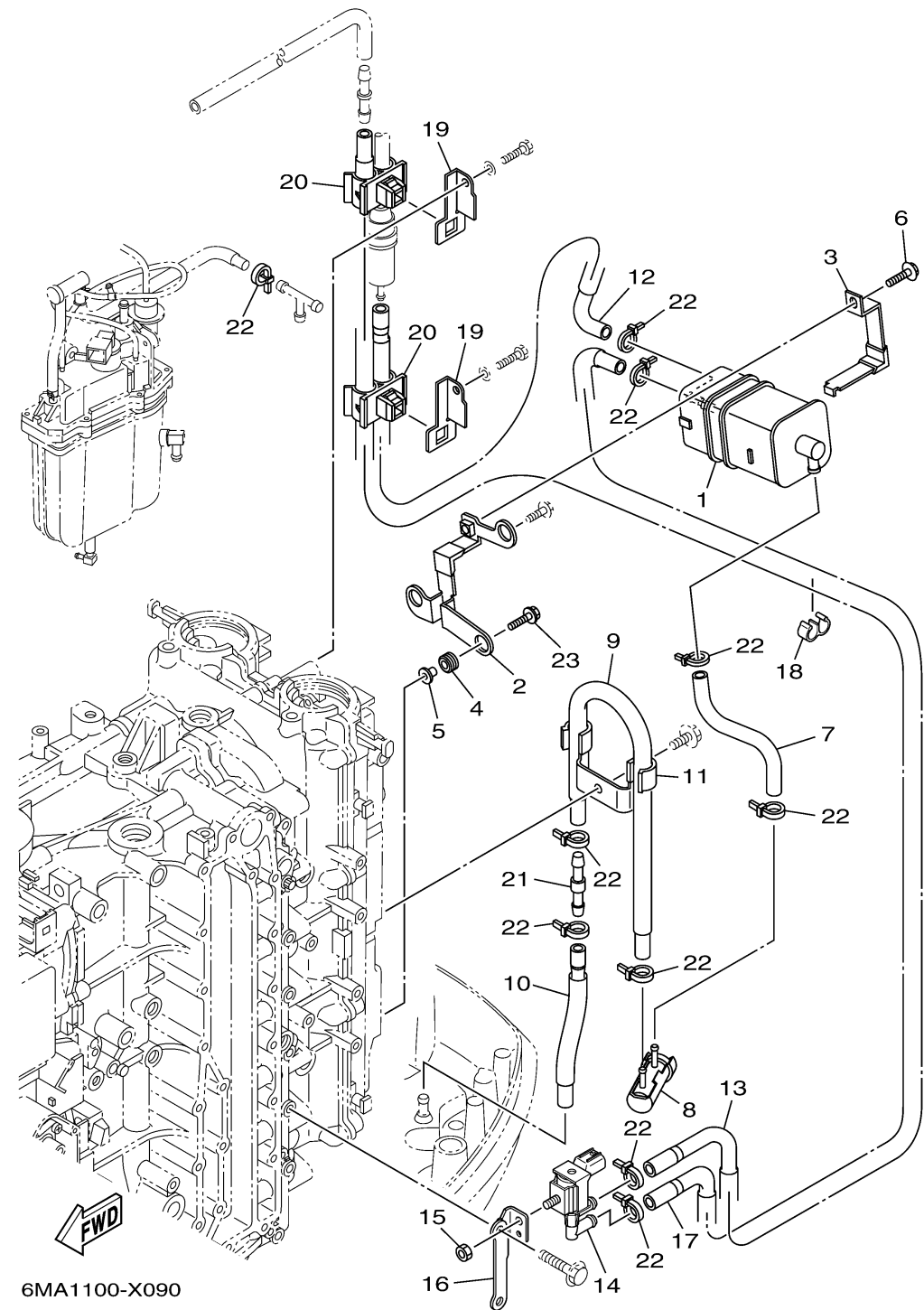
INTAKE 2

Ref No.	Part Number	Description	Qty	Remarks
1	6P2-24170-00-00	CANISTER ASSY	1	
2	63P-2134X-00-00	BRACKET, CANISTER	1	
3	63P-2419A-01-00	HOLDER	1	
4	90480-10M23-00	GROMMET	3	
5	90387-06289-00	COLLAR	3	
6	97E95-06516-00	BOLT, HEXAGON W/W DEEP RECESS	1	
7	64P-24313-00-00	PIPE 3	1	
8	69J-24502-00-00	FILTER, FUEL	1	
9	64P-24312-00-00	PIPE 2	1	
10	64P-24311-10-00	PIPE, FUEL 1	1	
11	63P-24367-01-00	CLAMP, FUEL PIPE 2	1	
12	64P-24315-00-00	PIPE 5	1	
13	64P-24316-10-00	PIPE 6	1	
14	6C5-86120-00-00	SOLENOID VALVE ASSY	1	
15	95380-06600-00	NUT, HEXAGON	1	
16	63P-81845-20-00	PLATE	1	
17	64P-24314-10-00	PIPE 4	1	
18	90464-09M31-00	CLAMP	1	
19	63P-24364-01-00	STAY	2	
20	90464-11012-00	CLAMP	2	

CONTINUED ON NEXT FRAME >

INTAKE 2

Ref No.	Part Number	Description	Qty	Remarks
21	6E5-24379-00-00	PIPE, JOINT 4	1	
22	90465-11M10-00	CLAMP	10	
23	90119-06135-00	BOLT, WITH WASHER	2	



6MA1100-X090