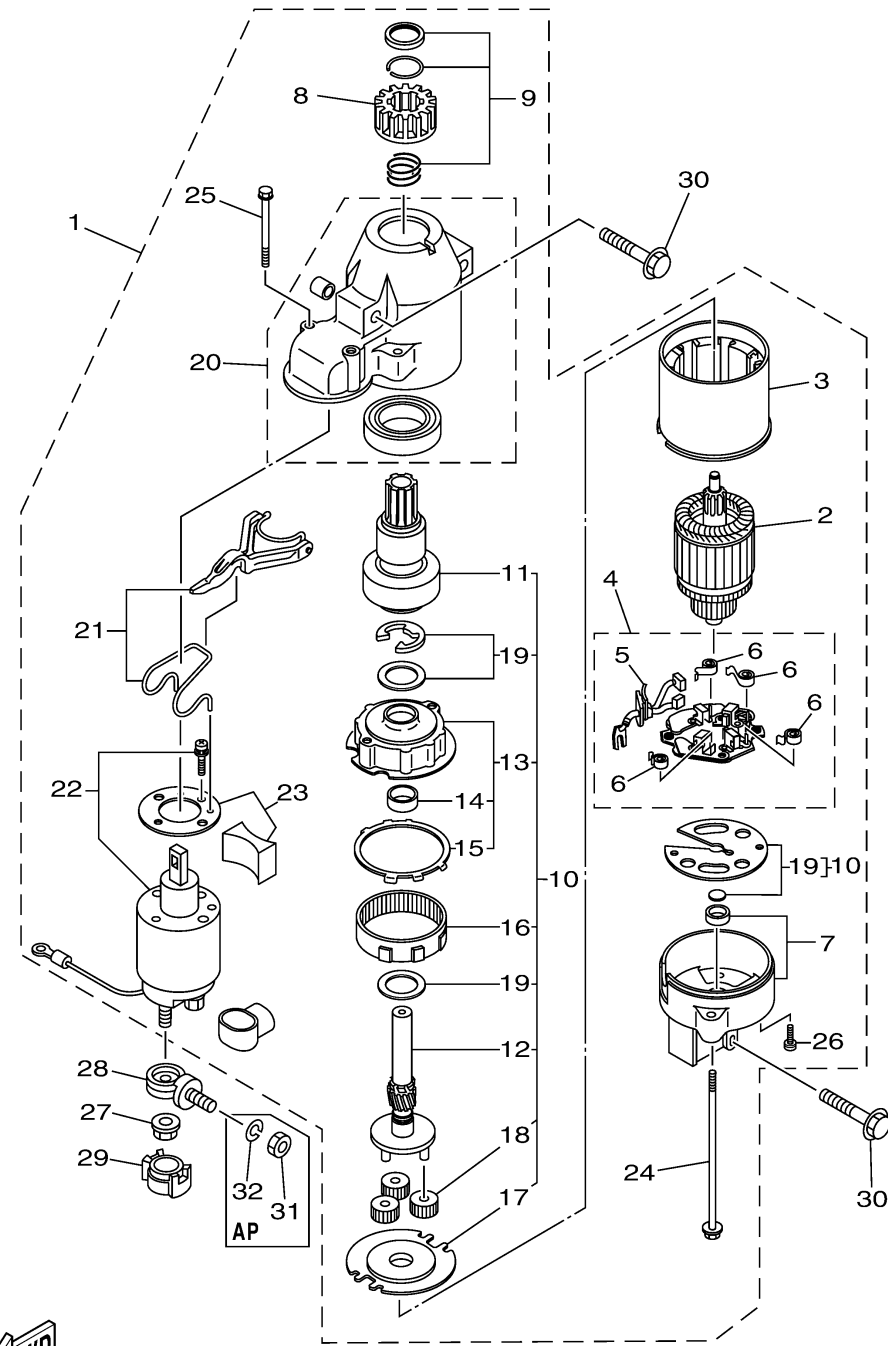


STARTING MOTOR

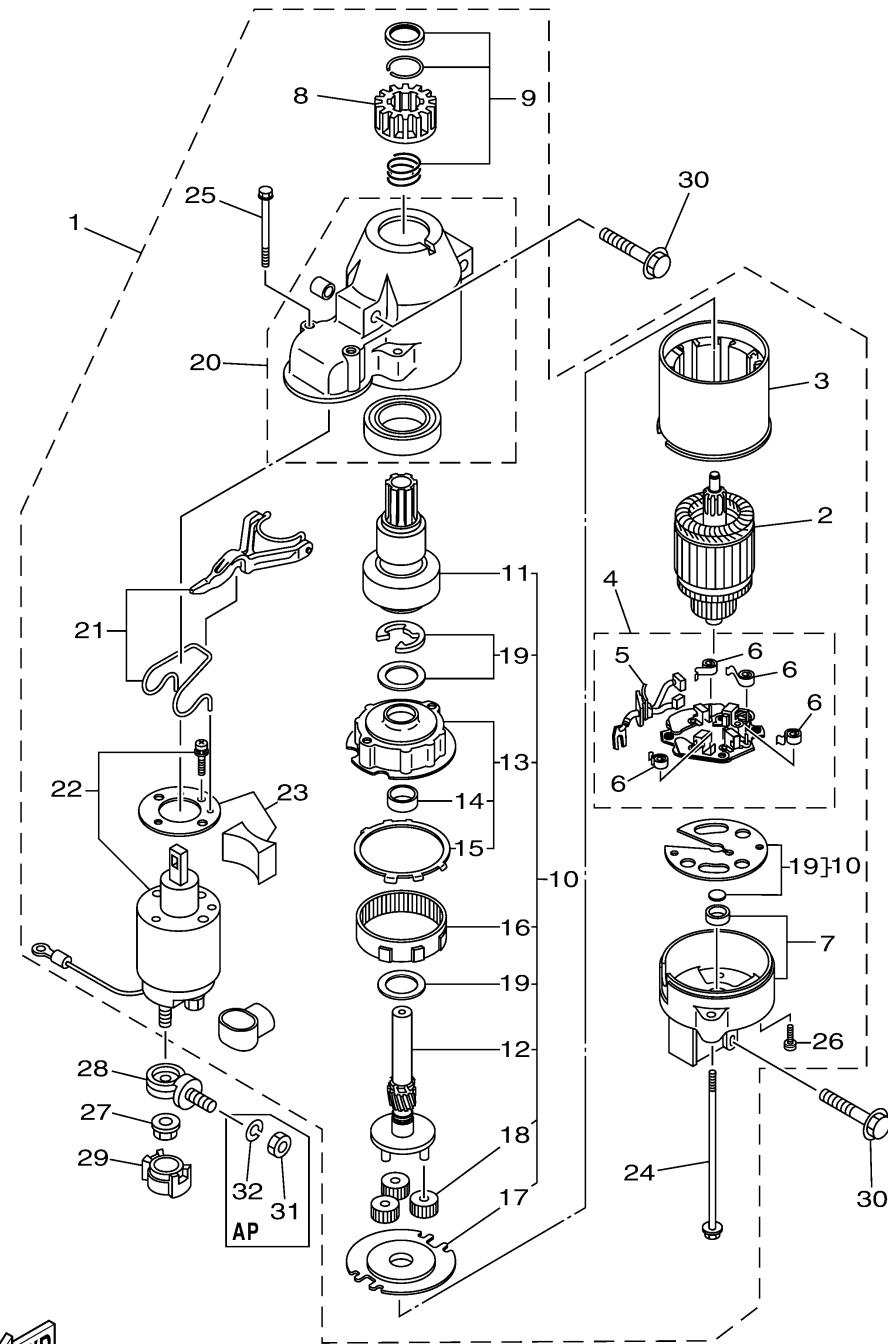


Ref No.	Part Number	Description	Qty	Remarks
1	6BR-81800-02-00	STARTING MOTOR ASSY	1	
2	67F-81850-00-00	..ARMATURE ASSY	1	
3	67F-81810-00-00	..STATOR ASSY	1	
4	69J-81840-11-00	..BRUSH HOLDER ASSY	1	
5	69J-81801-11-00	...BRUSH SET	1	
6	67F-81813-00-00	...SPRING, BRUSH	4	
7	67F-81820-00-00	..REAR BRACKET ASSY	1	
8	67F-81808-00-00	..PINION ASSY	1	
9	67F-81857-00-00	..PINION STOPPER SET	1	
10	67F-81807-00-00	..GEAR ASSY, STARTING MOTOR	1	
11	67F-81832-00-00	...CLUTCH, OVER RUN	1	
12	67F-81836-00-00	...SHAFT, PINION	1	
13	67F-81821-00-00	...BRACKET, CENTER 1	1	
14	67F-81841-00-00	...BEARING	1	
15	67F-8183R-00-00	...GASKET	1	
16	67F-81891-00-00	..GEAR, RING	1	WITH 67F-8183R-00
17	67F-81830-00-00	..BRACKET, CENTER 2	1	
18	60V-8183T-00-00	..GEAR, IDLER	3	
19	67F-81809-00-00	...WASHER KIT	1	
20	69J-81842-00-00	..COVER	1	

CONTINUED ON NEXT FRAME >

63PF100-R190

STARTING MOTOR



63PF100-R190

Ref No.	Part Number	Description	Qty	Remarks
21	6C5-81839-00-00	..LEVER ASSY	1	
22	63P-81941-00-00	..STARTER RELAY ASSY	1	
23	6C5-81869-00-00	..COVER, DUST	1	
24	6K7-81826-11-00	..BOLT	2	
25	69J-81828-00-00	..BOLT 2	2	
26	67F-81846-00-00	..SCREW	2	
27	90179-08003-00	NUT	1	
28	60V-81925-00-00	TERMINAL	1	
29	68F-82582-00-00	CAP,1	1	
30	97513-08545-00	BOLT, WITH WASHER	3	
31	95333-08600-00	NUT	1	AP
32	92903-08100-00	WASHER, SPRING	1	AP