

6LM2300-Y310

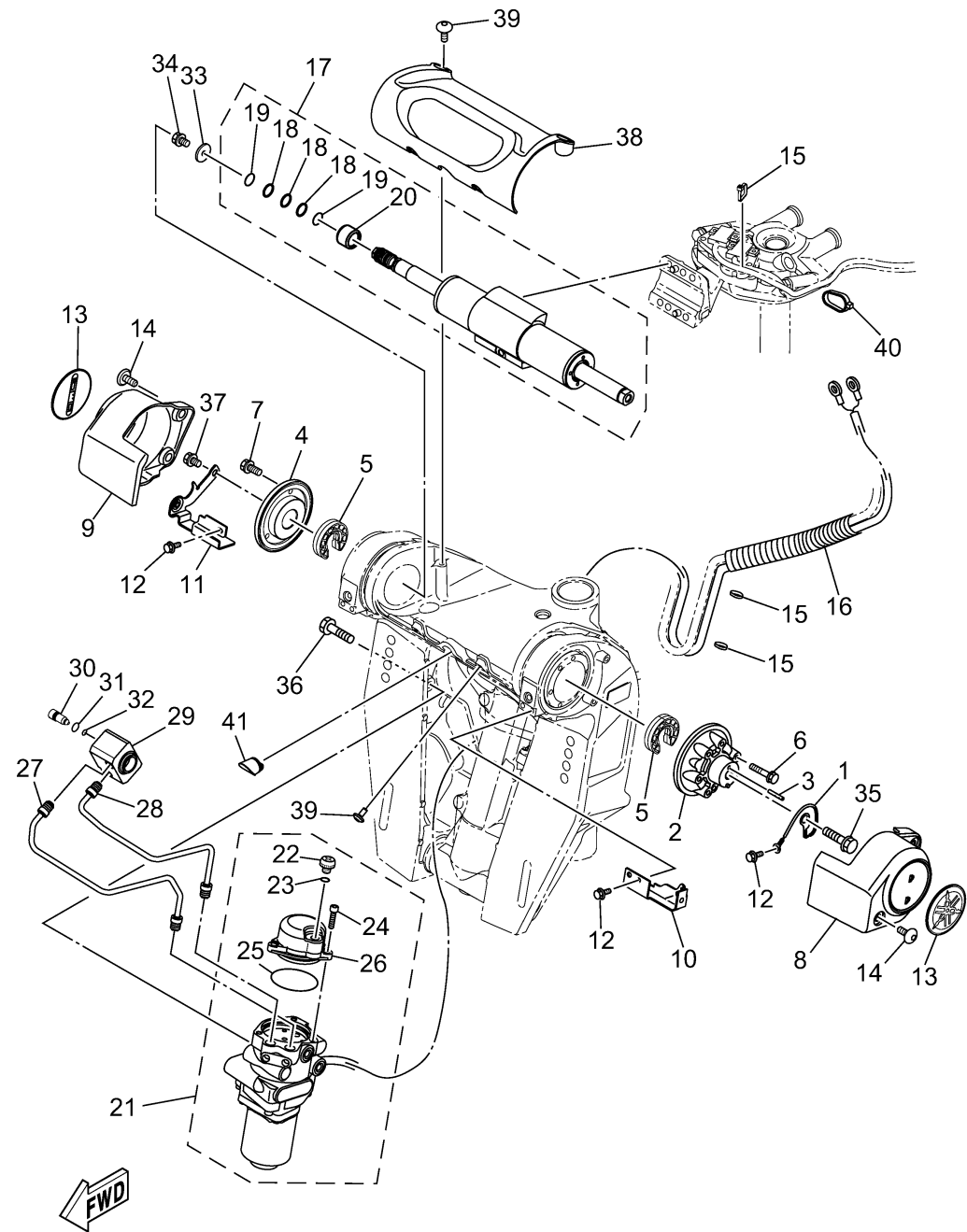
BRACKET 3

Ref No.	Part Number	Description	Qty	Remarks
1	6LH-82147-00-00	WIRE, LEAD 5	1	
2	6LH-43341-00-00	COVER, SWIVEL SIDE 1	1	
3	91690-40025-00	PIN, SPRING	1	
4	6LH-43342-00-00	COVER, SWIVEL SIDE 2	1	
5	6LH-43628-00-00	STOPPER	2	
6	90119-06323-00	BOLT, WITH WASHER	6	
7	97E75-06520-00	BOLT, HEXAGON W/W DEEP RECESS	3	
8	6LH-43381-00-CJ	COVER, 2	0	WARM WHITE
8	6LH-43381-00-8D	COVER, 2	1	GRAY
8	6LH-43381-00-CE	COVER, 2	0	WHITE
9	6LH-43382-00-8D	COVER, 3	1	GRAY
9	6LH-43382-00-CE	COVER, 3	0	WHITE
9	6LH-43382-00-CJ	COVER, 3	0	WARM WHITE
10	6LH-44526-00-00	PLATE	1	
11	6LH-44536-00-00	PLATE 2	1	
12	97E95-06512-00	BOLT, HEXAGON W/W DEEP RECESS	3	
13	6DA-42697-00-00	TUNING FORK MARK	2	
14	90111-06144-00	BOLT, HEXAGON SOCKET BUTTON	6	
15	90465-11M10-00	.CLAMP	3	
16	6LH-24864-00-00	TUBE	1	

CONTINUED ON NEXT FRAME >

BRACKET 3

Ref No.	Part Number	Description	Qty	Remarks
37	97E95-06512-00	BOLT, HEXAGON W/W DEEP RECESS	1	
38	6LH-43318-00-CJ	COVER	0	WARM WHITE
38	6LH-43318-00-8D	COVER	1	GRAY
38	6LH-43318-00-CE	COVER	0	WHITE
39	90111-06144-00	BOLT, HEXAGON SOCKET BUTTON	4	
40	90465-11M59-00	CLAMP	1	
41	6LH-43885-00-00	GROMMET	1	



6LM2300-Y310