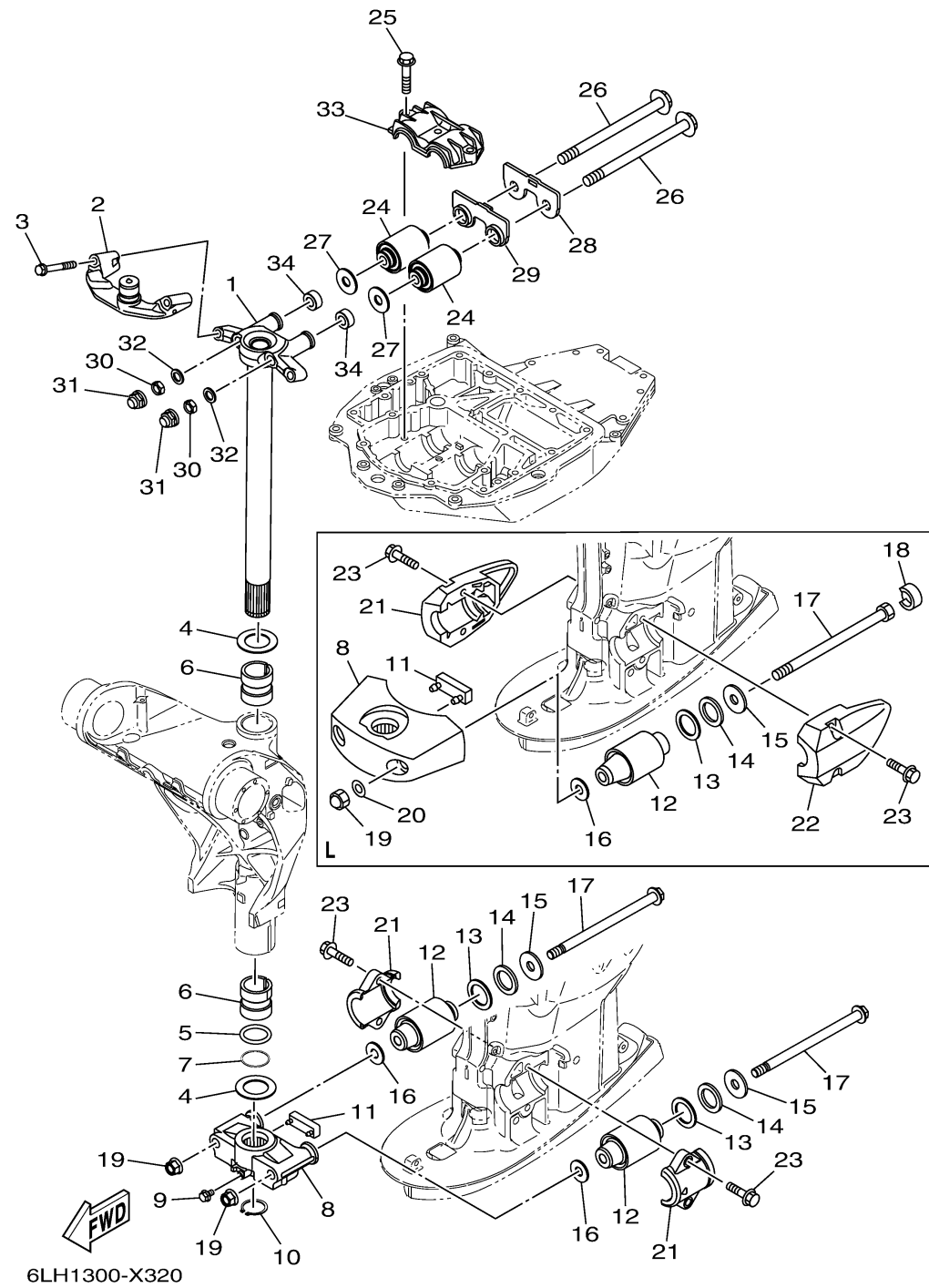


BRACKET 4

Ref No.	Part Number	Description	Qty	Remarks
1	6LH-42510-10-8D	STEERING BRACKET ASSY	1	GRAY, X(25.2")
1	6LH-42510-10-CE	STEERING BRACKET ASSY	0	WHITE, X(25.2")
1	6LH-42510-00-8D	STEERING BRACKET ASSY	0	GRAY, L(20.3")
1	6LH-42510-00-CE	STEERING BRACKET ASSY	0	WHITE, L(20.3")
1	6LH-42510-10-CJ	STEERING BRACKET ASSY	0	WARM WHITE, X(25.2")
2	6LH-48511-00-CJ	HOOK, STEERING	0	WARM WHITE
2	6LH-48511-00-8D	HOOK, STEERING	1	GRAY
2	6LH-48511-00-CE	HOOK, STEERING	0	WHITE
3	90119-10064-00	BOLT, WITH WASHER	2	
4	90201-38M60-00	WASHER, PLATE	2	
5	93210-37MH7-00	O-RING	1	
6	90386-38M32-00	BUSH	2	
7	90202-40M47-00	WASHER, PLATE	1	
8	68V-44551-00-8D	HOUSING, LOWER MOUNT RUBBER 1	0	GRAY, L(20.3")
8	6DA-44551-00-CA	HOUSING, LOWER MOUNT RUBBER 1	1	EXCEPT WHITE, X(2
8	68V-44551-00-CE	HOUSING, LOWER MOUNT RUBBER 1	0	WHITE, L(20.3")
9	95D95-06010-00	BOLT, FLANGE DEEP RECESS	1	X(25.2")
10	93410-36102-00	CIRCLIP	1	
11	61A-44575-01-00	DAMPER, LOWER MOUNT RUBBER	0	L(20.3")
11	6DA-44575-00-00	DAMPER, LOWER MOUNT RUBBER	1	X(25.2")

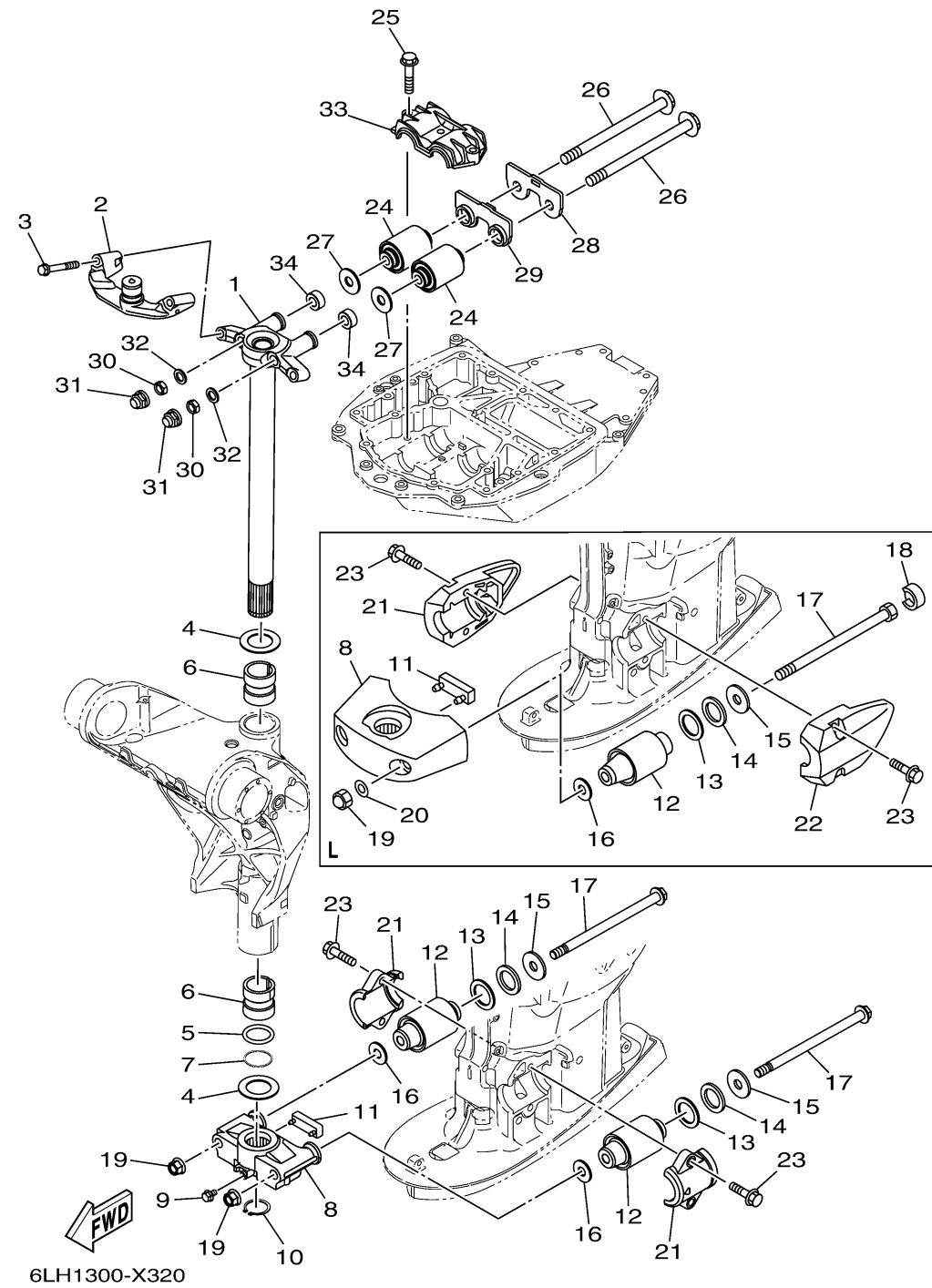
CONTINUED ON NEXT FRAME >



BRACKET 4

Ref No.	Part Number	Description	Qty	Remarks
12	60V-44555-00-00	MOUNT DAMPER, LOWER SIDE	0	L(20.3")
12	63P-44555-00-00	MOUNT DAMPER, LOWER SIDE	2	X(25.2")
13	90201-35008-00	WASHER, PLATE	2	
14	90202-32M19-00	WASHER, PLATE	2	
15	90201-16M55-00	WASHER, PLATE	2	
16	90201-15M58-00	WASHER, PLATE	2	
17	90101-14005-00	BOLT	0	L(20.3")
17	90105-14012-00	BOLT, FLANGE	2	X(25.2")
18	69J-44533-00-00	DAMPER, UPPER MOUNT RUBBER	0	L(20.3")
19	95604-14200-00	NUT, SELF-LOCKING	2	X(25.2")
19	90176-14002-00	NUT, CAP	0	L(20.3")
20	92995-14600-00	WASHER	0	L(20.3")
21	63P-44553-00-8D	COVER, LOWER MOUNT	0	GRAY, L(20.3")
21	6DA-44552-00-CA	HOUSING, LOWER MOUNT RUBBER 2	2	EXCEPT WHITE, X(2
21	63P-44553-00-CE	COVER, LOWER MOUNT	0	WHITE, L(20.3")
22	63P-44556-00-CE	COVER, LOWER MOUNT 2	0	WHITE, L(20.3")
22	63P-44556-00-8D	COVER, LOWER MOUNT 2	0	GRAY, L(20.3")
23	90119-10058-00	BOLT, WITH WASHER	4	
24	6DA-44514-00-00	MOUNT DAMPER, UPPER SIDE	2	
25	90119-10024-00	BOLT, WITH WASHER	3	

CONTINUED ON NEXT FRAME >



BRACKET 4

Ref No.	Part Number	Description	Qty	Remarks
26	90105-14009-00	BOLT, FLANGE	2	
27	90201-16M01-00	WASHER, PLATE	2	
28	6DA-44526-00-00	PLATE	1	
29	6DA-44532-00-00	STOPPER, UPPER MOUNT	1	
30	90185-14M00-00	NUT, SELF-LOCKING	2	
31	6DA-44194-00-00	CAP	2	
32	92995-14600-00	WASHER	2	
33	63P-44511-00-00	COVER, UPPER MOUNT	1	
34	90387-14004-00	COLLAR	2	