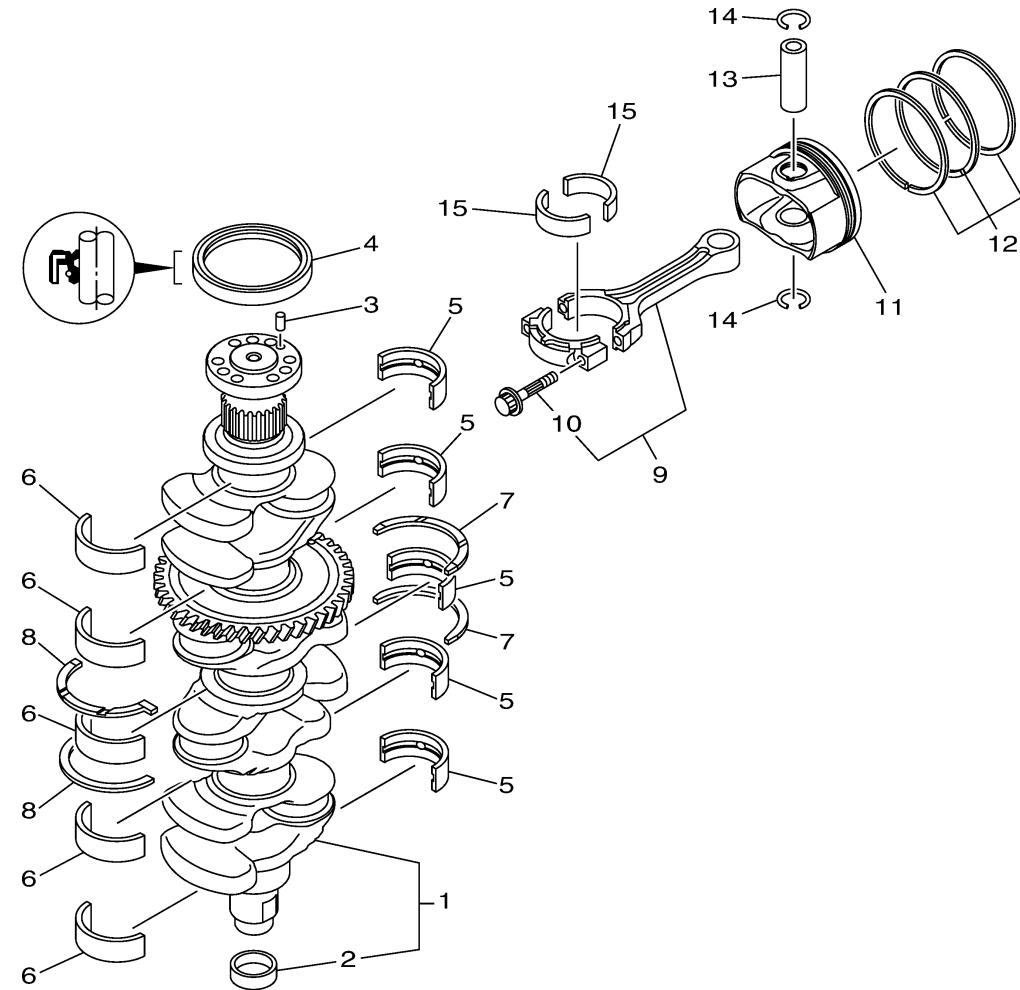


CRANKSHAFT PISTON



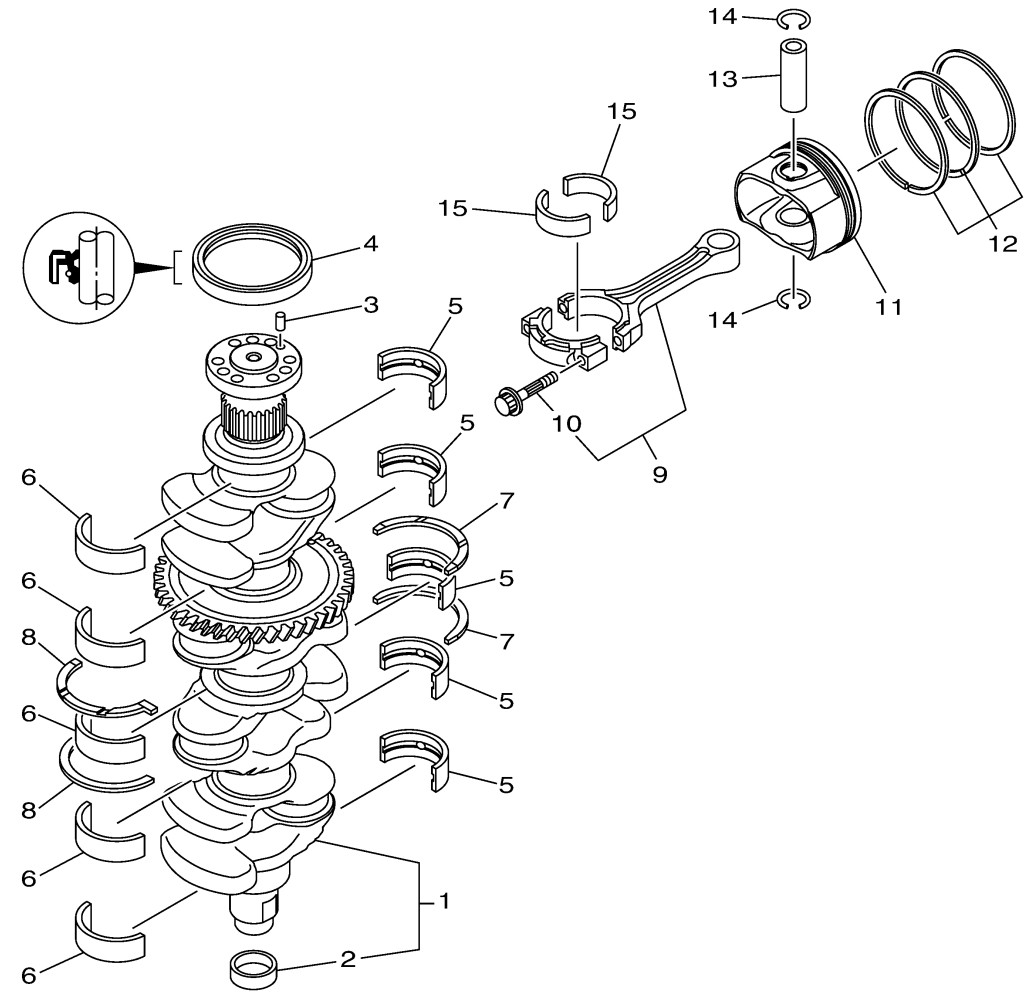
Ref No.	Part Number	Description	Qty	Remarks
1	6DA-11410-00-00	CRANKSHAFT	1	
2	6CB-11478-00-00	. .COLLAR	1	
3	93606-12019-00	.PIN, DOWEL	1	
4	93102-85008-00	.OIL SEAL	1	
5	6DA-11416-00-00	PLANE BEARING, CRANKSHAFT 1	5	UR YELLOW
5	6DA-11416-10-00	PLANE BEARING, CRANKSHAFT 1	5	UR GREEN
5	6DA-11416-20-00	PLANE BEARING, CRANKSHAFT 1	5	UR BLUE
6	6DA-11417-00-00	PLANE BEARING, CRANKSHAFT 2	5	UR YELLOW
6	6DA-11417-10-00	PLANE BEARING, CRANKSHAFT 2	5	UR GREEN
6	6DA-11417-20-00	PLANE BEARING, CRANKSHAFT 2	5	UR BLUE
7	6DA-11426-00-00	BEARING, THRUST 1	2	
8	6DA-11427-00-00	BEARING, THRUST 2	2	
9	6CB-W1165-10-00	CONNECTING ROD ASSY	4	
10	63P-11654-10-00	. .BOLT, CONNECTING ROD	2	
11	6DA-11631-21-94	PISTON (STD)	4	
12	6CB-11603-00-00	PISTON RING SET (STD)	4	
13	6CB-11633-00-00	PIN, PISTON	4	
14	K0F-A3233-00-00	RING,HOLE SNAP	8	
15	6JD-11656-00-00	PLANE BEARING, CONNECTING ROD	8	UR BLACK
15	6JD-11656-10-00	PLANE BEARING, CONNECTING ROD	8	UR PINK

CONTINUED ON NEXT FRAME >


6EH8100-U040

CRANKSHAFT PISTON

Ref No.	Part Number	Description	Qty	Remarks
15	6JD-11656-20-00	PLANE BEARING, CONNECTING ROD	8	UR RED




6EH8100-U040