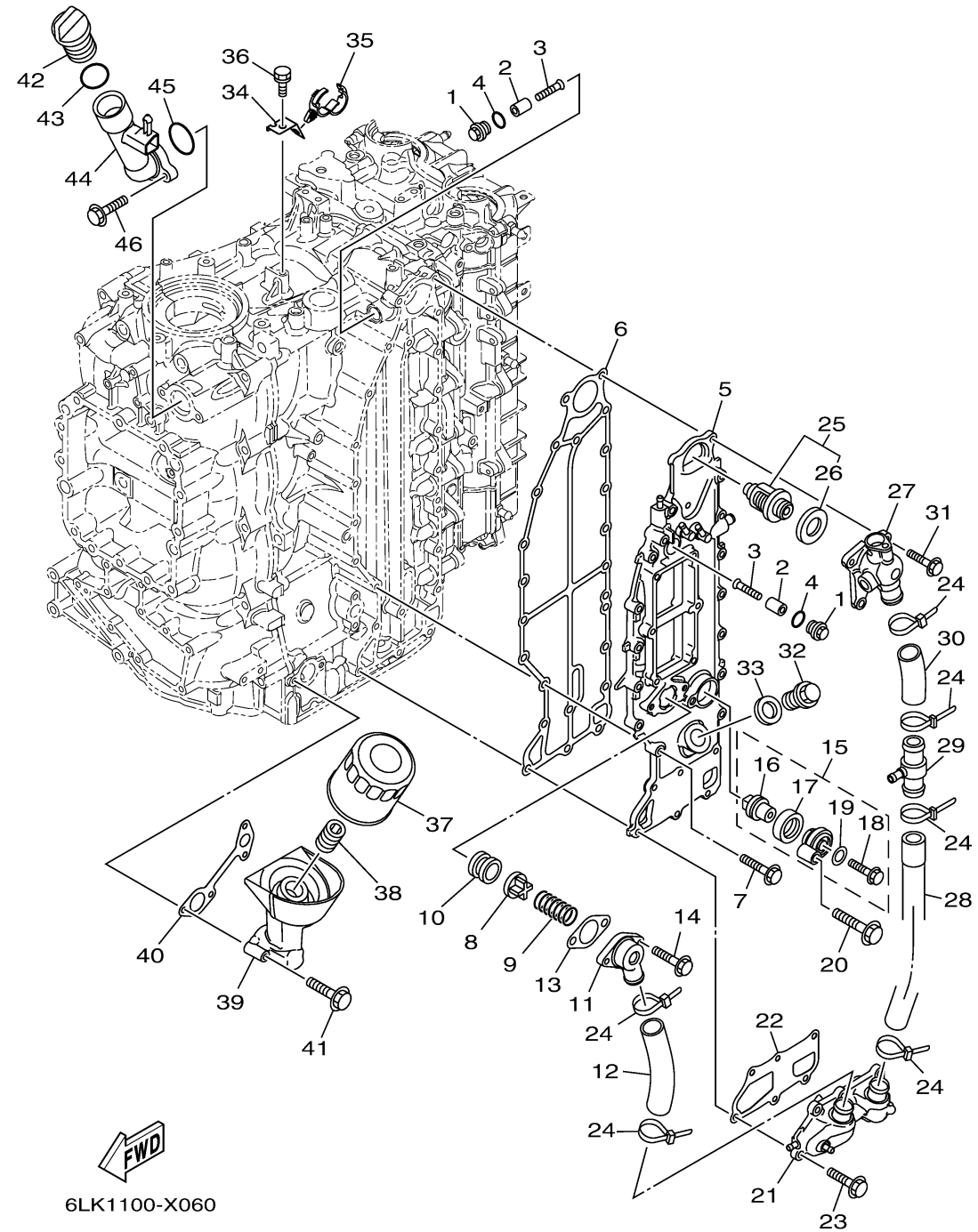


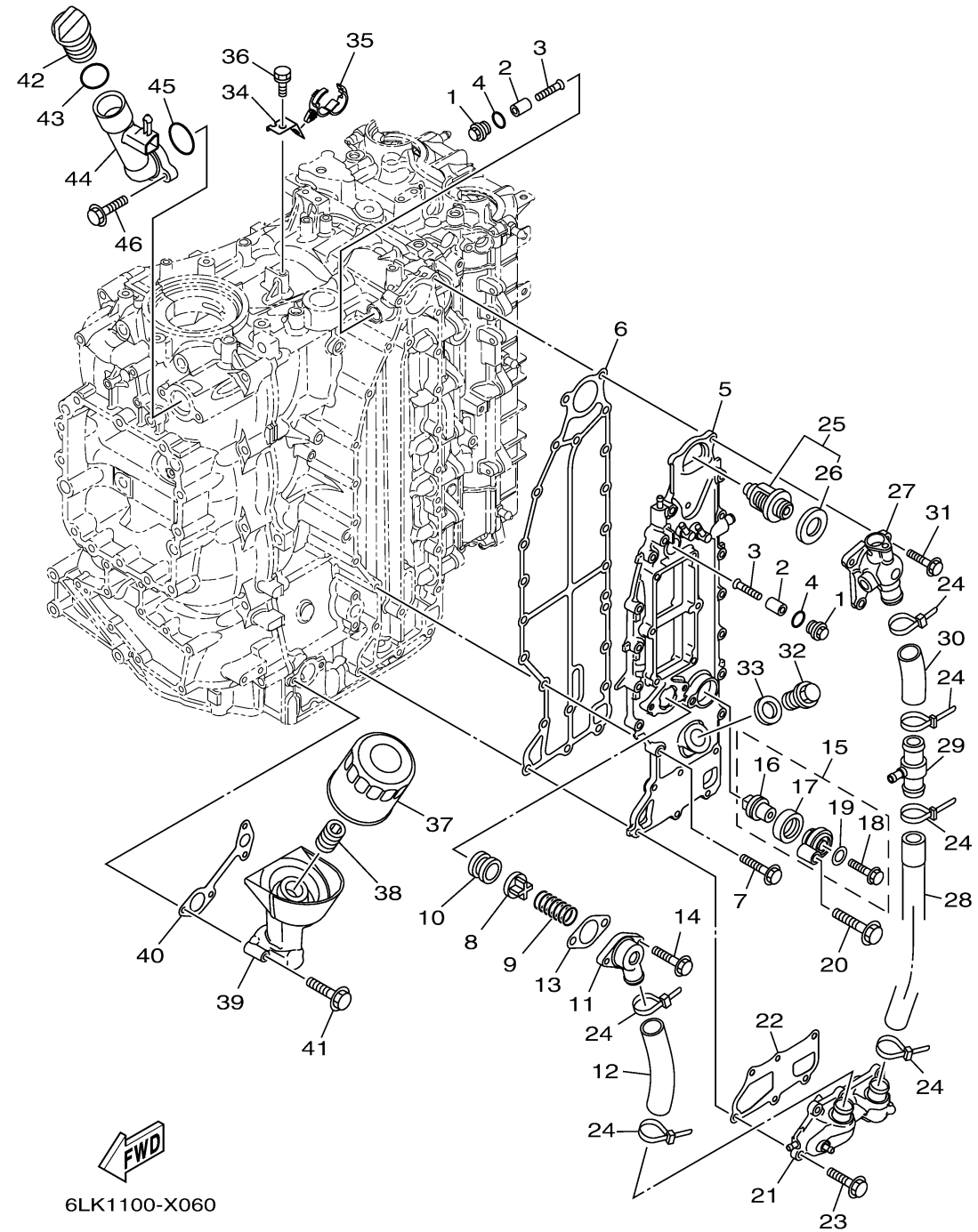
CYLINDER CRANKCASE 3



Ref No.	Part Number	Description	Qty	Remarks
1	6G8-11197-B0-00	PLUG, BLIND	2	
2	68T-11325-00-00	ANODE	2	
3	90151-05M05-00	SCREW, COUNTERSUNK	2	
4	93210-13M63-00	.O-RING	2	
5	6DA-41113-00-9S	OUTER COVER, EXHAUST	1	
6	6DA-41114-01-00	.GASKET, EXHAUST OUTER COVER	1	
7	90105-06028-00	BOLT, FLANGE	14	
8	60H-12416-00-00	VALVE, PRESSURE CONTROL	1	
9	90501-16M11-00	SPRING, COMPRESSION	1	
10	90480-20M05-00	GROMMET	1	
11	6G5-11372-00-00	COVER, BYPASS 2	1	
12	6DA-1243A-00-00	HOSE 1	1	
13	60V-11382-A0-00	.GASKET 2	1	
14	90119-06MA3-00	BOLT, WITH WASHER	2	
15	69J-11301-02-00	ANODE COVER ASSY	1	
16	6ML-11325-00-00	.ANODE	1	
17	67F-11328-01-00	.GROMMET, ANODE	1	
18	90105-06M07-00	.BOLT, FLANGE	1	
19	90430-06M03-00	.GASKET	1	
20	97E75-08540-00	BOLT, HEXAGON W/W DEEP RECESS	1	

CONTINUED ON NEXT FRAME >

CYLINDER CRANKCASE 3



Ref No.	Part Number	Description	Qty	Remarks
21	6DA-12527-00-9S	COVER, WATER BY-PASS	1	
22	6DA-11381-01-00	.GASKET 1	1	
23	90105-06028-00	BOLT, FLANGE	6	
24	90465-11M59-00	CLAMP	6	
25	6DA-12411-01-00	THERMOSTAT	1	
26	6AW-12412-00-00	.SEAL, THERMOSTAT	1	
27	6DA-12413-B0-9S	COVER, THERMOSTAT	1	
28	6DA-1243E-00-00	HOSE 2	1	
29	6CE-24378-00-00	PIPE, JOINT 3	1	
30	6DA-1244H-00-00	HOSE 5	1	
31	90105-06028-00	BOLT, FLANGE	3	
32	90340-18M09-00	PLUG, STRAIGHT SCREW	1	
33	90201-186F1-00	.WASHER, PLATE	1	
34	6DA-12491-00-00	CLAMP 1	1	
35	90464-20181-00	CLAMP	1	
36	90119-06078-00	BOLT, WITH WASHER	1	
37	69J-13440-05-00	ELEMENT ASSY, OIL CLEANER	1	
38	6S5-12858-00-00	BOLT, UNION	1	
39	6DA-13446-01-00	CONNECTOR	1	
40	6DA-13475-00-00	.GASKET	1	

CONTINUED ON NEXT FRAME >

CYLINDER CRANKCASE 3

Ref No.	Part Number	Description	Qty	Remarks
41	90105-06151-00	BOLT, FLANGE	4	
42	6G8-15363-00-00	PLUG, OIL	1	
43	93210-24M79-00	.O-RING	1	
44	6DA-15319-00-00	JOINT	1	
45	93210-357A3-00	.O-RING	1	
46	90105-06037-00	BOLT, FLANGE	2	

