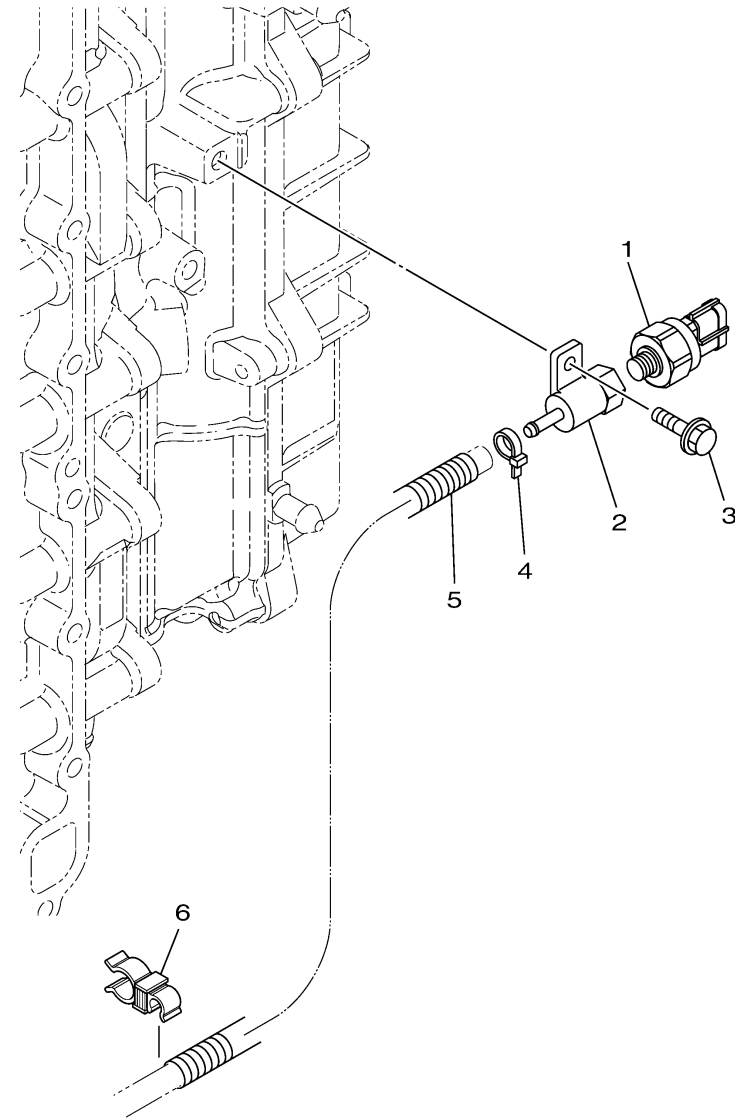


# ELECTRICAL 7



Ref No.	Part Number	Description	Qty	Remarks
1	6AW-8366B-10-00	SENSOR, WATER PRESSURE	1	
2	60V-8366D-00-00	ADAPTOR, INPUT	1	
3	95D95-06016-00	BOLT, FLANGE DEEP RECESS	1	
4	90465-11M10-00	.CLAMP	1	
5	90447-07008-00	HOSE, WITH SPRING (L200)	1	
6	90464-13013-00	CLAMP	1	



6LH1100-X230