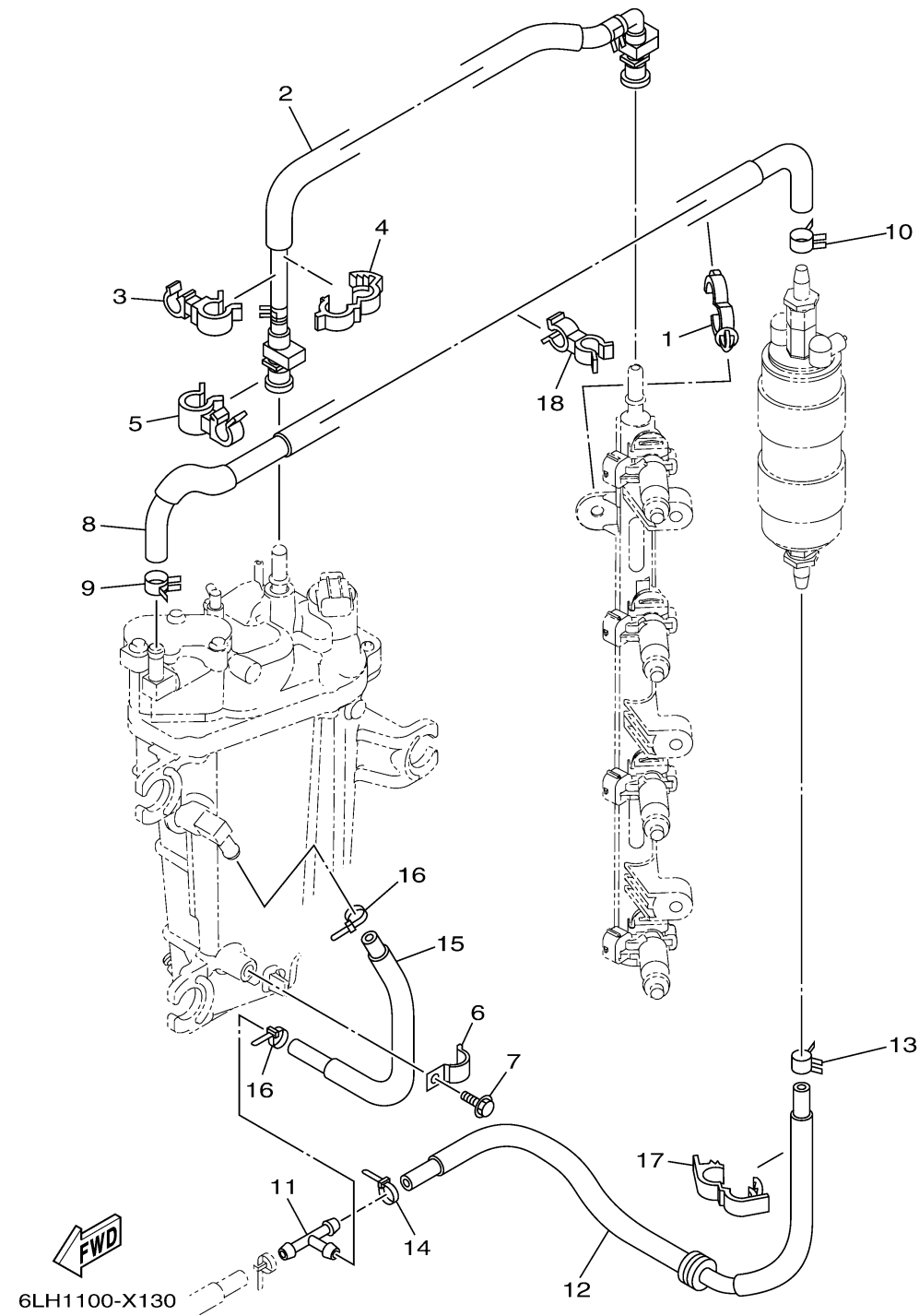


FUEL INJECTION PUMP 2



Ref No.	Part Number	Description	Qty	Remarks
1	90464-20181-00	CLAMP	1	
2	6DA-24310-01-00	FUEL PIPE ASSY	1	
3	90464-12010-00	CLAMP	1	
4	90464-16003-00	CLAMP	1	
5	90464-15007-00	CLAMP	1	
6	90465-08M63-00	CLAMP	1	
7	95D95-06010-00	BOLT, FLANGE DEEP RECESS	1	
8	6DA-24324-10-00	PIPE 13	1	
9	90467-120A7-00	CLIP	1	
10	90467-140A9-00	CLIP	1	
11	6E5-24378-00-00	PIPE, JOINT 3	1	
12	6DA-24317-01-00	PIPE 7	1	
13	90467-141A2-00	CLIP	1	
14	90465-11M10-00	.CLAMP	1	
15	6DA-24323-00-00	PIPE 12	1	
16	90465-11M10-00	.CLAMP	2	
17	90464-18004-00	CLAMP	1	
18	90464-13260-00	CLAMP	1	