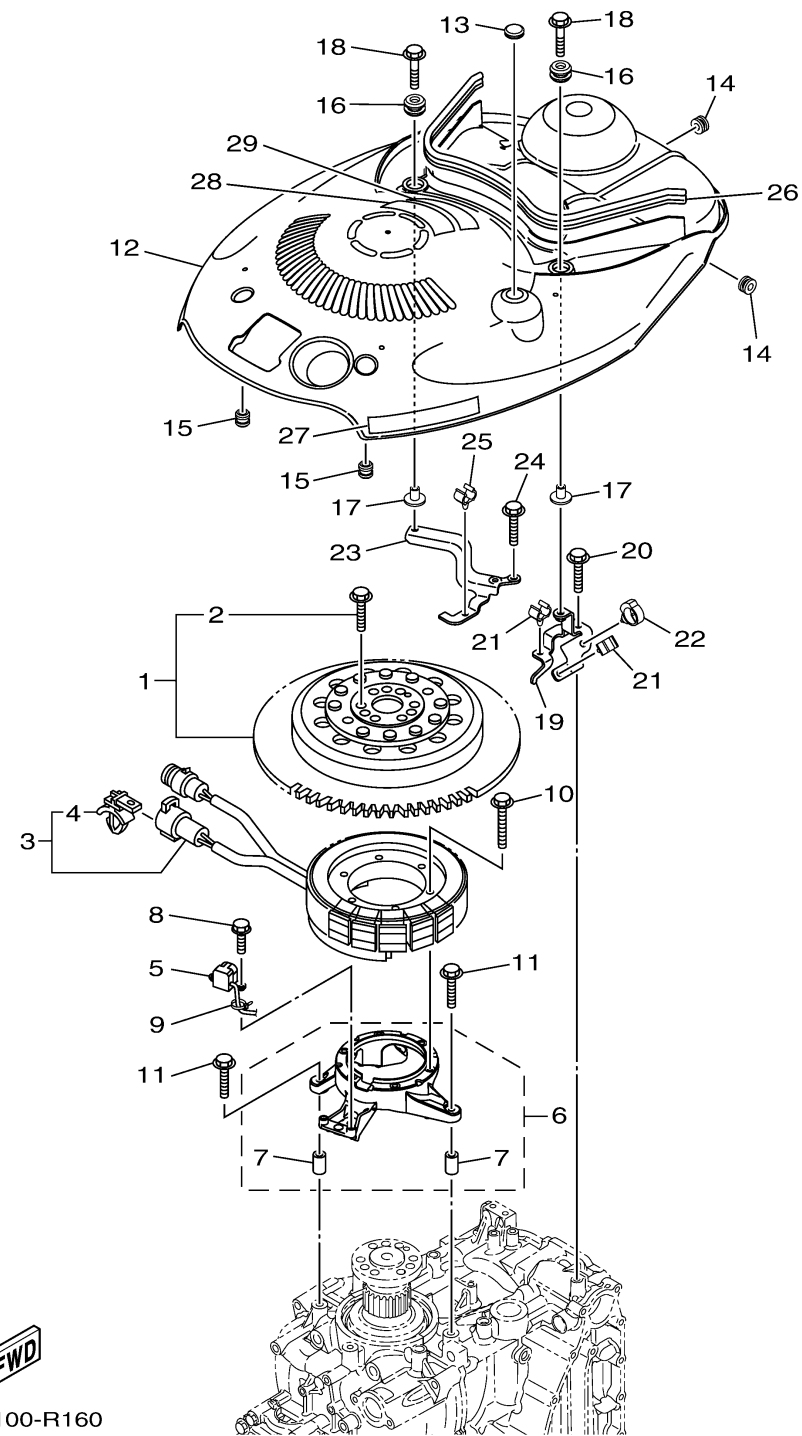


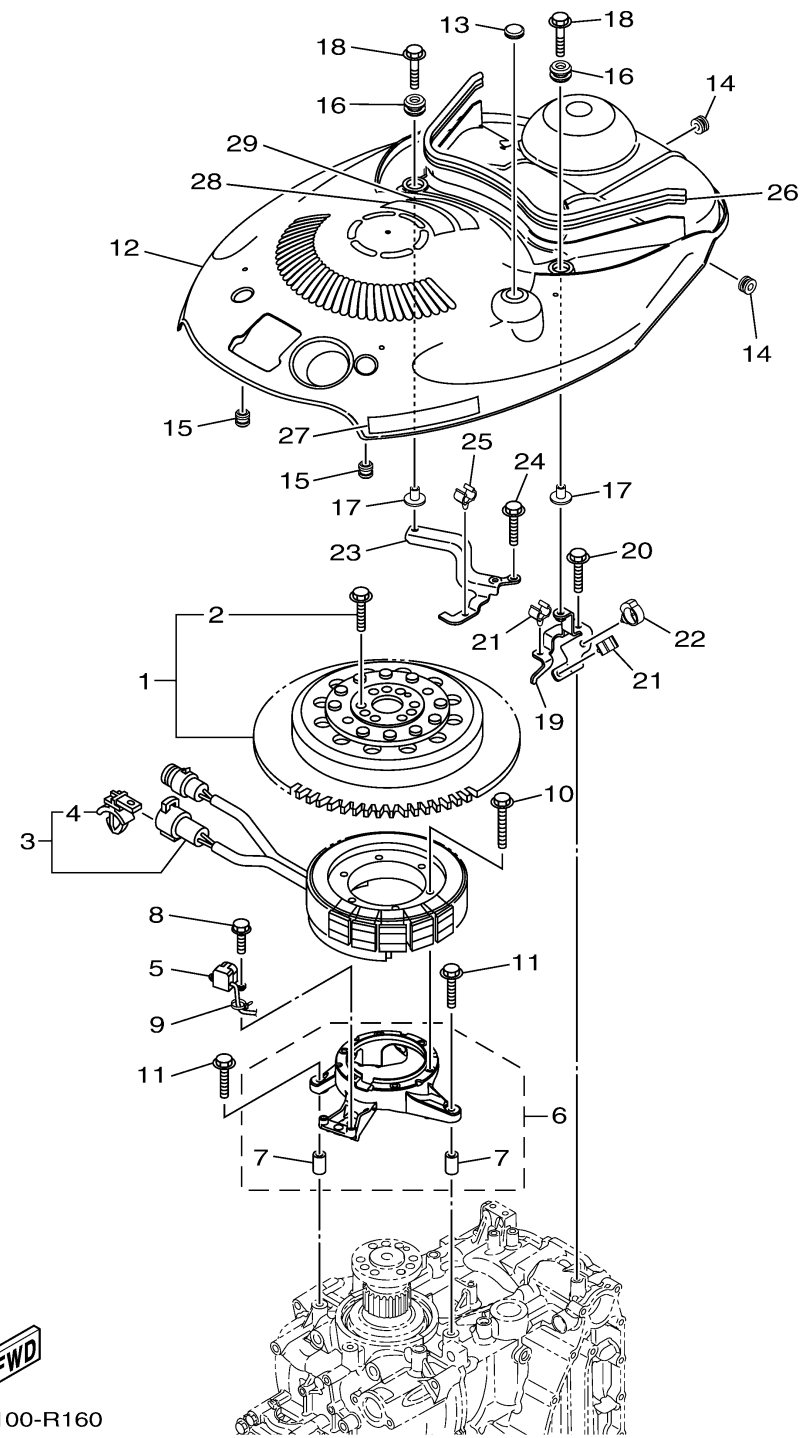
GENERATOR



Ref No.	Part Number	Description	Qty	Remarks
1	6DA-W8145-00-00	ROTOR ASSY WITH BOLTS	1	
2	6EK-W9010-00-00	..BOLT SET	1	
3	6DA-81410-00-00	STATOR ASSY	1	
4	90464-12002-00	..CLAMP	1	
5	6CB-85580-01-00	COIL, PULSER	1	
6	6DA-85561-00-00	BASE, MAGNETO	1	
7	99530-08012-00	..PIN, DOWEL	2	
8	97595-05520-00	BOLT, WITH WASHER	2	
9	90465-13M97-00	CLAMP	1	
10	95022-06035-00	BOLT, FLANGE	6	
11	95D95-06030-00	BOLT, FLANGE DEEP RECESS	4	
12	6DA-81337-01-00	COVER, FLYWHEEL	1	
13	90480-16025-00	GROMMET	1	
14	90480-12314-00	GROMMET	2	
15	6A0-82317-01-00	DAMPER, IGNITION COIL	2	
16	6BG-42748-01-00	GROMMET	2	
17	90387-06M69-00	COLLAR	2	
18	90119-06291-00	BOLT, WITH WASHER	2	
19	6DA-8132G-01-00	PLATE	1	
20	95D95-06016-00	BOLT, FLANGE DEEP RECESS	1	

CONTINUED ON NEXT FRAME >

GENERATOR



Ref No.	Part Number	Description	Qty	Remarks
21	90464-09130-00	CLAMP	2	
22	90464-20181-00	CLAMP	1	
23	6DA-82398-01-00	PLATE 3	1	
24	95D95-06016-00	BOLT, FLANGE DEEP RECESS	2	
25	90464-09130-00	CLAMP	1	
26	6DA-42617-00-00	DAMPER, FORM	1	
27	63P-13437-63-00	MARK, CAUTION	1	
28	6EE-81994-41-00	LABEL, SAFETY	1	
29	6EE-81994-51-00	LABEL, SAFETY	1	