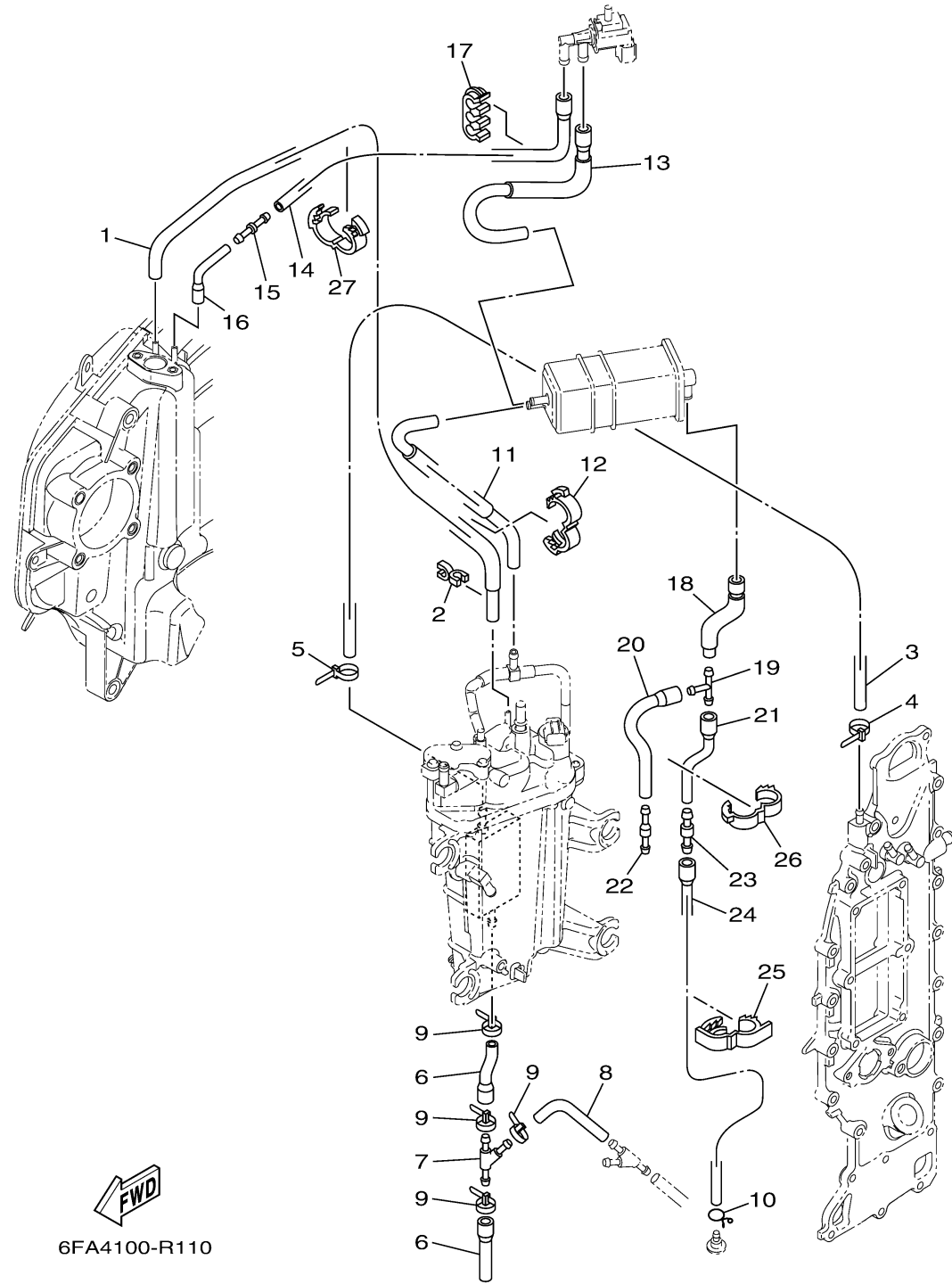


INTAKE 3



6FA4100-R110

| Ref No. | Part Number | Description | Qty | Remarks |
|---------|-----------------|------------------------|-----|---------|
| 1 | 6DA-13532-00-00 | HOSE, VACUUM SENSING 3 | 1 | |
| 2 | 90464-07M41-00 | CLAMP | 1 | |
| 3 | 90445-09120-00 | HOSE (L600) | 1 | |
| 4 | 90465-11M10-00 | .CLAMP | 1 | |
| 5 | 90465-11M10-00 | .CLAMP | 1 | |
| 6 | 6DA-12576-00-00 | HOSE 1 | 2 | |
| 7 | 6CE-24377-00-00 | PIPE, JOINT 2 | 1 | |
| 8 | 90445-10056-00 | HOSE (L85) | 1 | |
| 9 | 90465-11M10-00 | .CLAMP | 4 | |
| 10 | 90467-09M09-00 | CLIP | 1 | |
| 11 | 6DA-1475A-00-00 | PIPE 1 | 1 | |
| 12 | 90464-16001-00 | CLAMP | 1 | |
| 13 | 6DA-1475F-00-00 | PIPE 3 | 1 | |
| 14 | 6DA-2416A-00-00 | HOSE | 1 | |
| 15 | 6CB-14989-00-00 | ORIFICE, AIR VENT | 1 | |
| 16 | 6DA-1475G-00-00 | PIPE 4 | 1 | |
| 17 | 90464-10011-00 | CLAMP | 1 | |
| 18 | 6DA-13545-00-00 | HOSE 1 | 1 | |
| 19 | 688-24378-00-00 | PIPE, JOINT 3 | 1 | |
| 20 | 68V-13546-10-00 | HOSE 2 | 1 | |

CONTINUED ON NEXT FRAME >

INTAKE 3

| Ref No. | Part Number | Description | Qty | Remarks |
|---------|-----------------|-------------|-----|---------|
| 21 | 6FA-13548-00-00 | HOSE, AIR 4 | 1 | |
| 22 | 6E5-21744-00-00 | BREATHER | 1 | |
| 23 | 63D-21744-00-00 | BREATHER | 1 | |
| 24 | 6FA-13547-00-00 | HOSE 3 | 1 | |
| 25 | 90464-18004-00 | CLAMP | 1 | |
| 26 | 90464-16001-00 | CLAMP | 1 | |
| 27 | 90464-16001-00 | CLAMP | 1 | |

