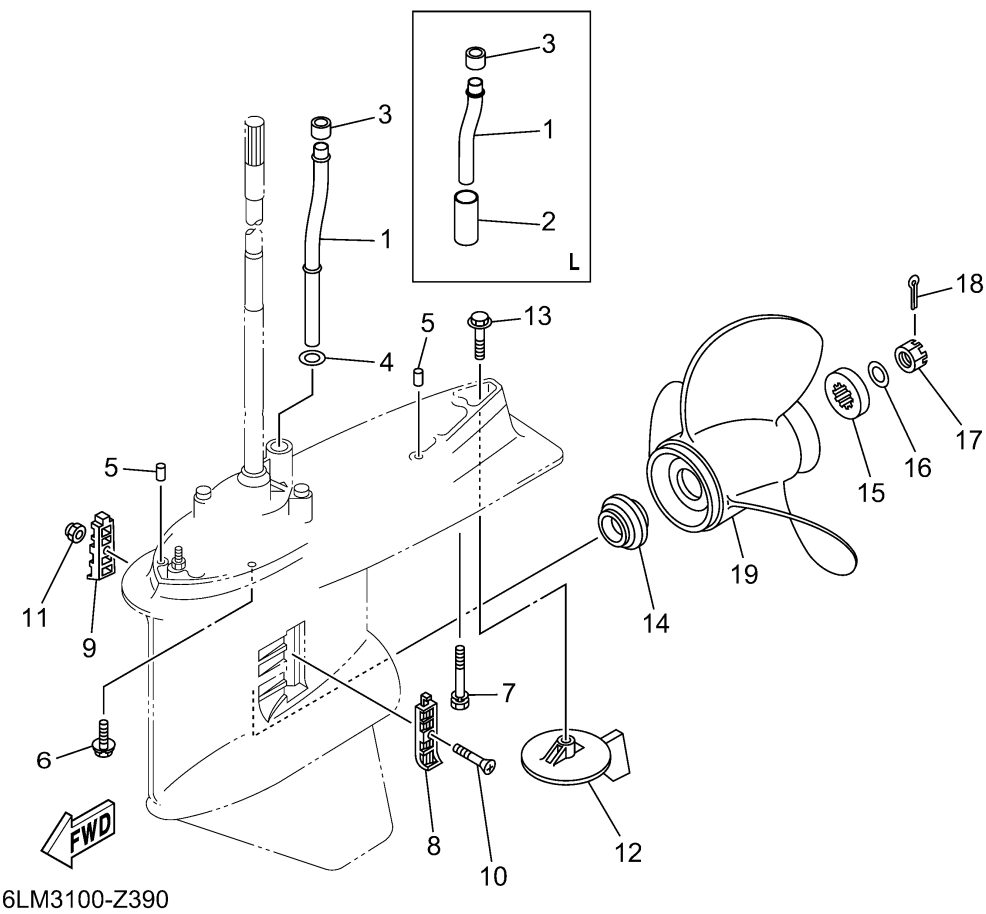
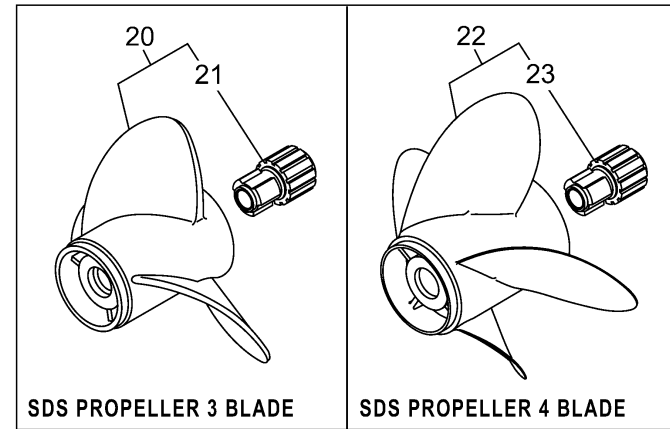


REGULAR ROTATION

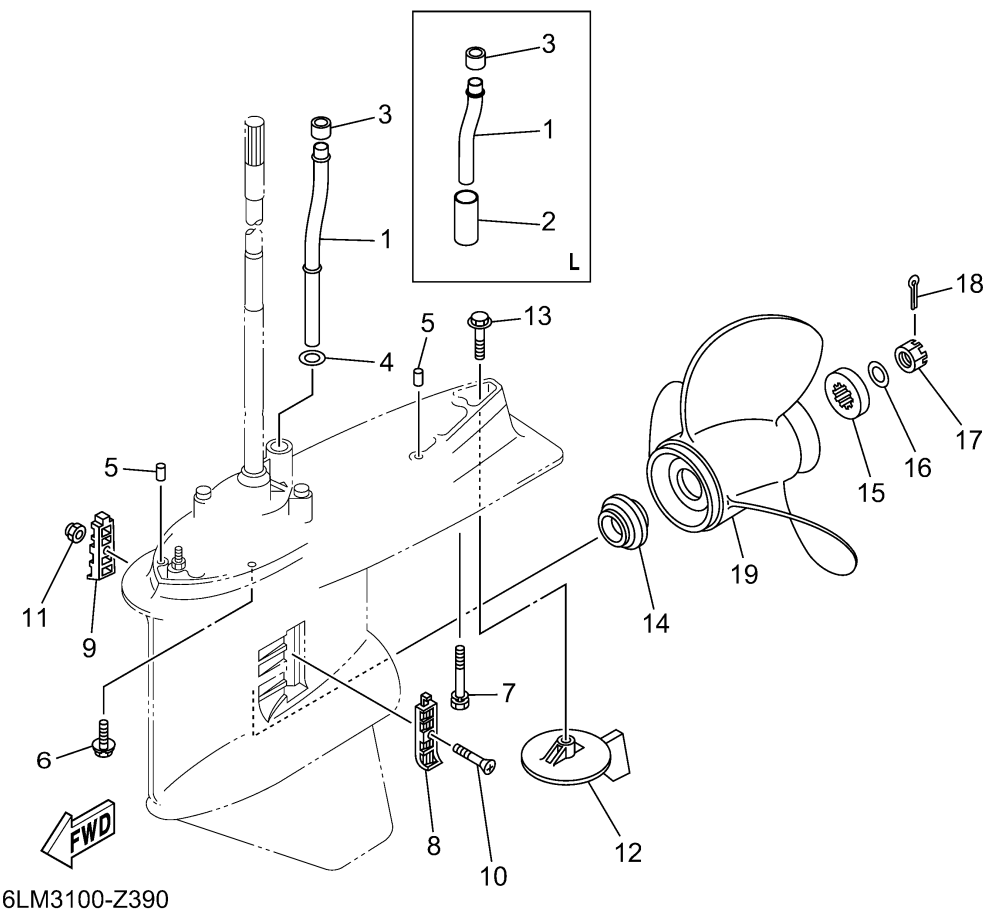
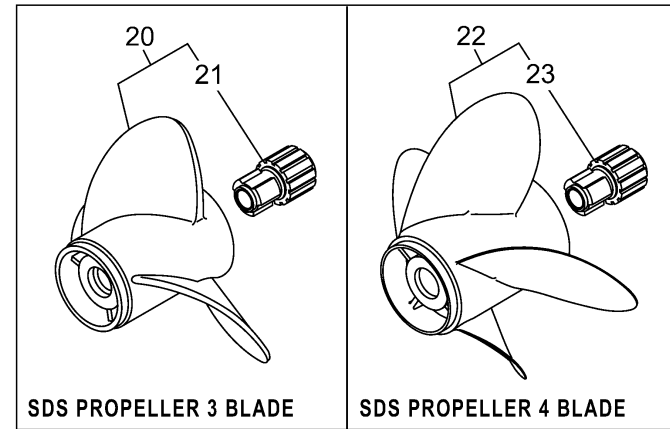


## LOWER CASING DRIVE 2

| Ref No. | Part Number     | Description                   | Qty | Remarks  |
|---------|-----------------|-------------------------------|-----|----------|
| 1       | 6DA-44361-00-00 | TUBE, WATER 1                 | 1   | X(25.2") |
| 1       | 6DA-44361-10-00 | TUBE, WATER 1                 | 0   | L(20.3") |
| 2       | 90445-23002-00  | HOSE (L59)                    | 0   | L(20.3") |
| 3       | 6E5-44365-01-00 | DAMPER, WATER SEAL 1          | 1   |          |
| 4       | 90202-16061-00  | WASHER, PLATE                 | 1   | X(25.2") |
| 5       | 93608-16M16-00  | PIN, DOWEL                    | 2   |          |
| 6       | 97E95-10645-00  | BOLT, HEXAGON W/W DEEP RECESS | 6   |          |
| 7       | 90119-10072-00  | BOLT, WITH WASHER             | 1   |          |
| 8       | 6J9-45214-00-00 | COVER, WATER INLET 1          | 1   |          |
| 9       | 6J9-45215-00-00 | COVER, WATER INLET 2          | 1   |          |
| 10      | 90152-05M08-00  | SCREW, COUNTERSUNK            | 1   |          |
| 11      | 90185-05002-00  | NUT, NYLON                    | 1   |          |
| 12      | 6J9-45371-01-00 | TAB-TRIM                      | 1   |          |
| 13      | 90105-10M00-00  | BOLT, FLANGE                  | 1   |          |
| 14      | 6E5-45987-01-00 | SPACER 1                      | 1   |          |
| 15      | 688-45997-01-00 | SPACER 2                      | 1   |          |
| 16      | 92990-18200-00  | WASHER                        | 1   |          |
| 17      | 90171-18M04-00  | NUT, CASTLE                   | 1   |          |
| 18      | 91490-40030-00  | PIN. COTTER                   | 1   |          |
| 19      | 6G5-45941-00-00 | PROPELLER (3X15-1/4"X15"-M)   | 1   | UR       |

CONTINUED ON NEXT FRAME >

REGULAR ROTATION

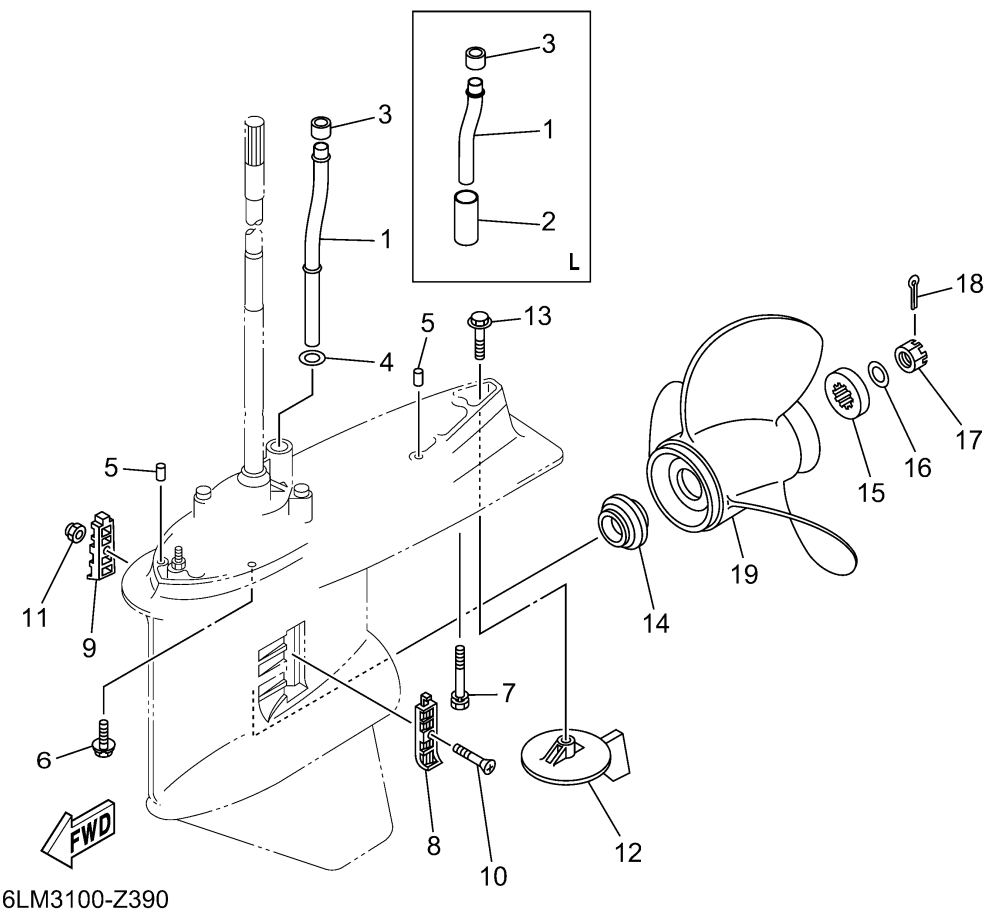
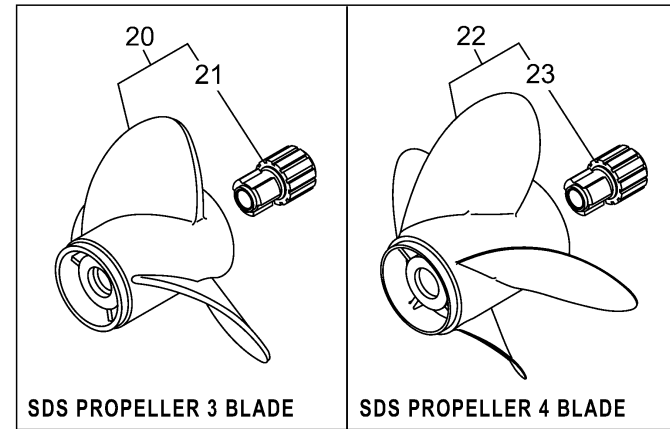


## LOWER CASING DRIVE 2

| Ref No. | Part Number     | Description                  | Qty | Remarks        |
|---------|-----------------|------------------------------|-----|----------------|
| 19      | 6G5-45943-01-00 | PROPELLER (3X13-3/4"X21"-M)  | 1   | UR             |
| 19      | 6G5-45945-01-00 | PROPELLER (3X14"X19"-M)      | 1   | UR             |
| 19      | 6G5-45947-01-00 | PROPELLER (3X14-1/2"X17"-M)  | 1   | UR             |
| 19      | 6G5-45949-00-00 | PROPELLER (3X13-1/2"X23"-M)  | 1   | UR             |
| 19      | 6G5-45952-00-00 | PROPELLER (3X14-5/8"X16"-M)  | 1   | UR             |
| 19      | 6G5-45930-00-00 | PROPELLER (3X13-3/8"X25"-M)  | 1   | UR             |
| 19      | 6G5-45972-02-00 | PROPELLER (3X13-3/4"X21"-M)  | 1   | UR             |
| 19      | 6G5-45974-03-00 | PROPELLER (3X13-3/4"X19"-M2) | 1   | UR             |
| 19      | 6G5-45976-01-00 | PROPELLER (3X13-3/8"X23"-M)  | 1   | UR             |
| 19      | 6G5-45978-03-00 | PROPELLER (3X13-3/4"X17"-M2) | 1   | UR             |
| 20      | 68F-45970-20-00 | PROPELLER (3X14-1/2"X15"-M)  | 1   | UR SDS 3 BLADE |
| 20      | 68F-45972-20-00 | PROPELLER (3X14-1/4"X17"-M)  | 1   | UR SDS 3 BLADE |
| 20      | 68F-45978-20-00 | PROPELLER (3X14-1/4"X18"-M)  | 1   | UR SDS 3 BLADE |
| 20      | 68F-45974-20-00 | PROPELLER (3X13-3/4"X19"-M)  | 1   | UR SDS 3 BLADE |
| 20      | 68F-45976-20-00 | PROPELLER (3X13-3/4"X21"-M)  | 1   | UR SDS 3 BLADE |
| 20      | 68F-45932-20-00 | PROPELLER (3X14-1/2"X13"-M)  | 1   | UR SDS 3 BLADE |
| 20      | 68F-45930-20-00 | PROPELLER (3X14-1/2"X14"-M)  | 1   | UR SDS 3 BLADE |
| 20      | 6CE-45970-20-00 | PROPELLER (3X15-1/4"X19"-T)  | 1   | UR SDS 3 BLADE |
| 20      | 6CE-45972-20-00 | PROPELLER (3X15"X21"-T)      | 1   | UR SDS 3 BLADE |
| 20      | 6CE-45974-20-00 | PROPELLER (3X14-3/4"X23"-T)  | 1   | UR SDS 3 BLADE |

CONTINUED ON NEXT FRAME >

REGULAR ROTATION



## LOWER CASING DRIVE 2

| Ref No. | Part Number     | Description                   | Qty | Remarks        |
|---------|-----------------|-------------------------------|-----|----------------|
| 20      | 6CE-45934-20-00 | PROPELLER (3X15-1/4"X18"-T)   | 1   | UR SDS 3 BLADE |
| 20      | 6CE-45932-20-00 | PROPELLER (3X15"X20"-T)       | 1   | UR SDS 3 BLADE |
| 20      | 6CE-45936-20-00 | PROPELLER (3X14-3/4"X22"-T)   | 1   | UR SDS 3 BLADE |
| 20      | 60H-45970-00-00 | PROPELLER (3X14-1/4"X14"-M)   | 1   | UR SDS 3 BLADE |
| 20      | 60H-45972-00-00 | PROPELLER (3X14-1/4"X16"-M)   | 1   | UR SDS 3 BLADE |
| 20      | 60H-45974-00-00 | PROPELLER (3X14-1/4"X18"-M)   | 1   | UR SDS 3 BLADE |
| 20      | 60H-45976-00-00 | PROPELLER (3X14-1/4"X20"-M)   | 1   | UR SDS 3 BLADE |
| 20      | 60H-45978-00-00 | PROPELLER (3X14-1/4"X22"-M)   | 1   | UR SDS 3 BLADE |
| 20      | 6CE-45D72-20-00 | PROPELLER (3X14-3/4"X24"-T)   | 1   | UR SDS 3 BLADE |
| 20      | 6CE-45D74-20-00 | PROPELLER (3X14-3/4"X25"-T)   | 1   | UR SDS 3 BLADE |
| 21      | 6CE-45C81-10-00 | . .DAMPER RUBBER, PROPELLER 1 | 1   |                |
| 22      | 6CE-45B70-20-00 | PROPELLER (4X15"X21"-T)       | 1   | UR SDS 4 BLADE |
| 22      | 6CE-45B72-20-00 | PROPELLER (4X15"X22"-T)       | 1   | UR SDS 4 BLADE |
| 22      | 6CE-45B74-20-00 | PROPELLER (4X15"X23"-T)       | 1   | UR SDS 4 BLADE |
| 23      | 6CE-45C81-10-00 | . .DAMPER RUBBER, PROPELLER 1 | 1   |                |