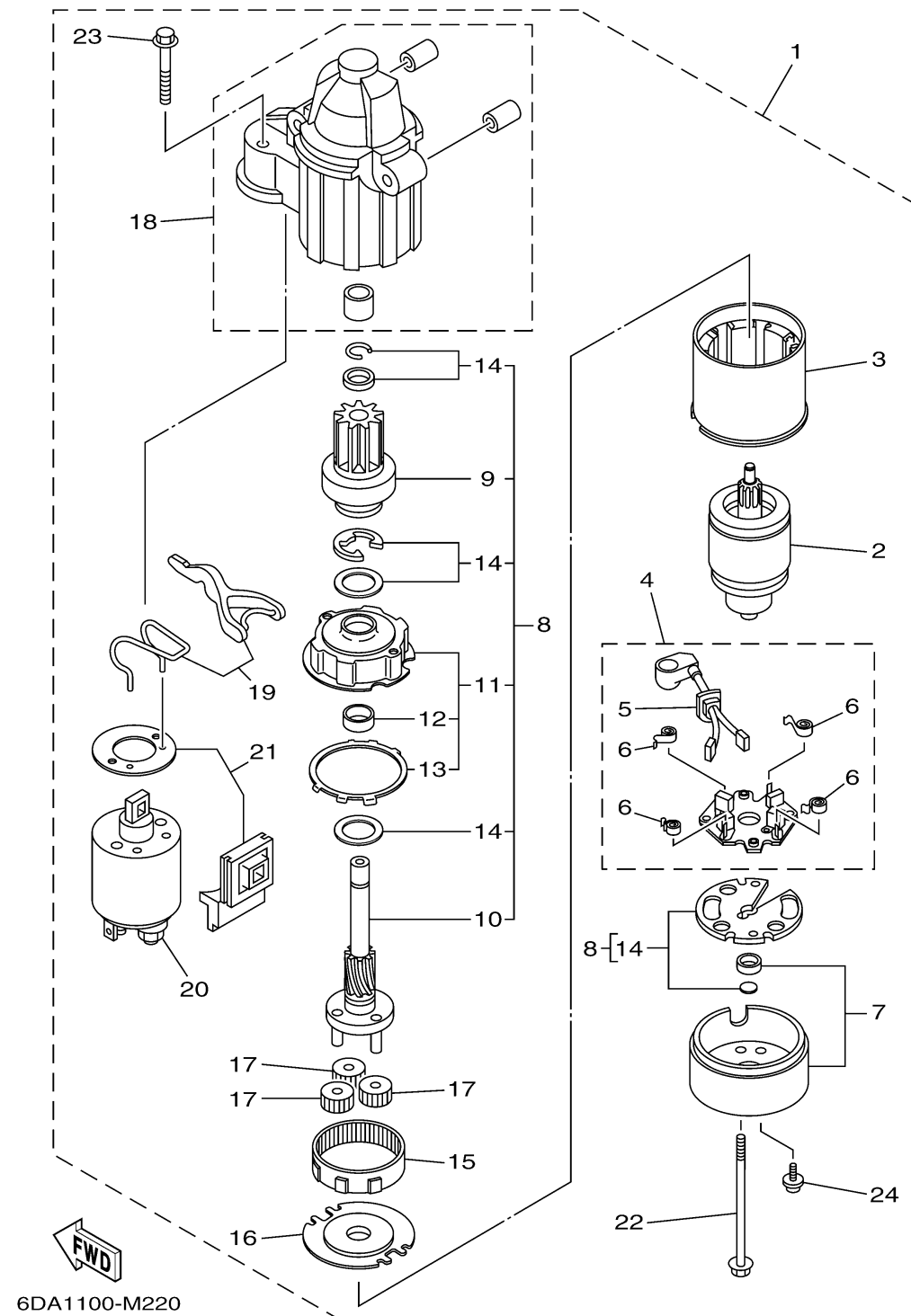


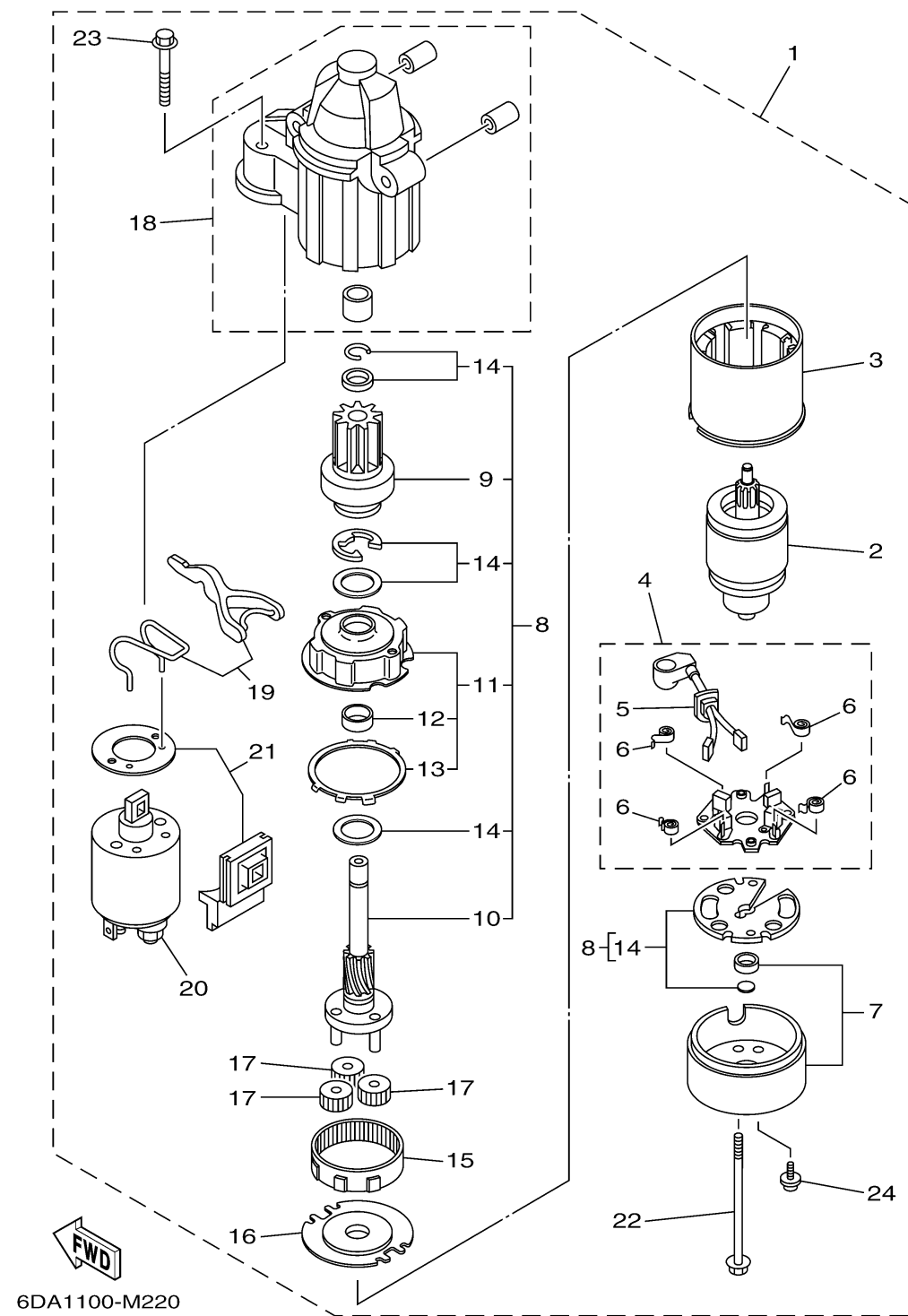
# STARTING MOTOR



| Ref No. | Part Number     | Description                 | Qty | Remarks           |
|---------|-----------------|-----------------------------|-----|-------------------|
| 1       | 6CB-81800-02-00 | STARTING MOTOR ASSY         | 1   |                   |
| 2       | 67F-81850-00-00 | ..ARMATURE ASSY             | 1   |                   |
| 3       | 67F-81810-00-00 | ..STATOR ASSY               | 1   |                   |
| 4       | 69J-81840-11-00 | ..BRUSH HOLDER ASSY         | 1   |                   |
| 5       | 69J-81801-11-00 | ...BRUSH SET                | 1   |                   |
| 6       | 67F-81813-00-00 | ...SPRING, BRUSH            | 4   |                   |
| 7       | 6CB-81820-00-00 | ..REAR BRACKET ASSY         | 1   |                   |
| 8       | 6CB-81807-00-00 | ..GEAR ASSY, STARTING MOTOR | 1   |                   |
| 9       | 6CB-81832-00-00 | ...CLUTCH, OVER RUN         | 1   |                   |
| 10      | 6CB-81836-00-00 | ...SHAFT, PINION            | 1   |                   |
| 11      | 67F-81821-00-00 | ...BRACKET, CENTER 1        | 1   |                   |
| 12      | 67F-81841-00-00 | ... ..BEARING               | 1   |                   |
| 13      | 67F-8183R-00-00 | ... ..GASKET                | 1   |                   |
| 14      | 6CB-81809-00-00 | ...WASHER KIT               | 1   |                   |
| 15      | 67F-81891-00-00 | ..GEAR, RING                | 1   | WITH 67F-8183R-00 |
| 16      | 67F-81830-00-00 | ..BRACKET, CENTER 2         | 1   |                   |
| 17      | 60V-8183T-00-00 | ..GEAR, IDLER               | 3   |                   |
| 18      | 6CB-81842-00-00 | ..COVER                     | 1   |                   |
| 19      | 6C5-81839-00-00 | ..LEVER ASSY                | 1   |                   |
| 20      | 6C5-81941-01-00 | ..STARTER RELAY ASSY        | 1   |                   |

CONTINUED ON NEXT FRAME >

# STARTING MOTOR



| Ref No. | Part Number     | Description   | Qty | Remarks |
|---------|-----------------|---------------|-----|---------|
| 21      | 6C5-81869-00-00 | ..COVER, DUST | 1   |         |
| 22      | 6CB-81826-00-00 | ..BOLT        | 2   |         |
| 23      | 69J-81828-00-00 | ..BOLT 2      | 2   |         |
| 24      | 67F-81846-00-00 | ..SCREW       | 2   |         |