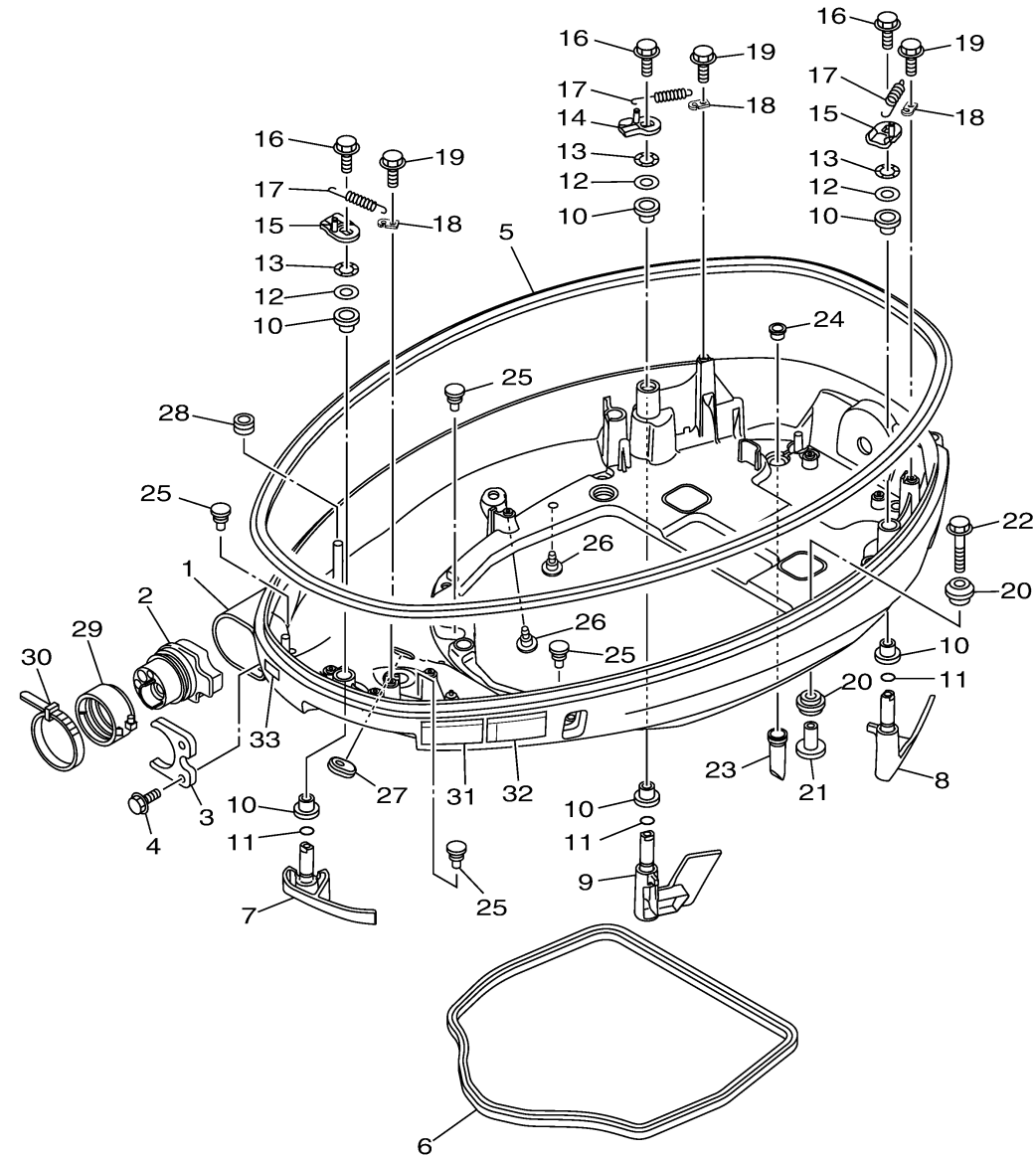


BOTTOM COWLING 1



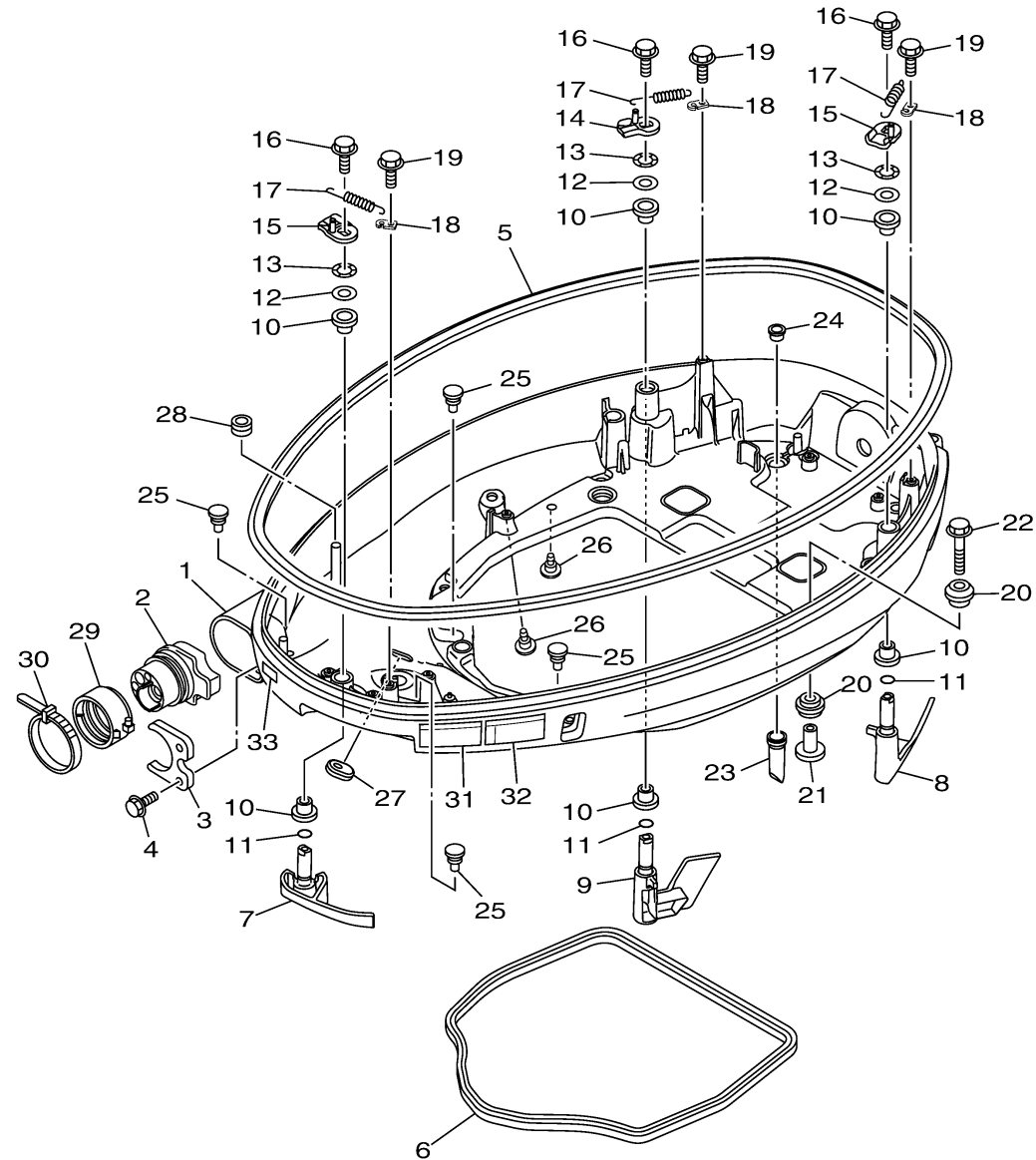
Ref No.	Part Number	Description	Qty	Remarks
1	6LH-42710-00-8D	BOTTOM COWLING ASSY	1	
2	6LH-42725-01-00	GROMMET	1	
3	6CB-42761-00-00	STOPPER	1	
4	95D95-06014-00	BOLT, FLANGE DEEP RECESS	2	
5	6LH-42615-00-00	SEAL	1	
6	63P-42716-01-00	RUBBER SEAL 1	1	
7	6LH-42815-00-8D	LEVER, CLAMP 1	1	
8	6LH-42816-00-8D	LEVER, CLAMP 2	1	
9	6LH-42817-00-8D	LEVER, CLAMP 3	1	
10	90386-15M73-00	BUSH	6	
11	93210-13M63-00	.O-RING	3	
12	90201-156J2-00	WASHER, PLATE	3	
13	90206-15M18-00	WASHER, WAVE	3	
14	6CB-42818-00-00	LEVER, CLAMP 4	1	
15	6CB-42819-00-00	LEVER, CLAMP 5	2	
16	95D95-08012-00	BOLT, FLANGE DEEP RECESS	3	
17	90506-22001-00	SPRING, TENSION	3	
18	66T-43144-00-00	HOOK, SPRING	3	
19	95D95-06012-00	BOLT, FLANGE DEEP RECESS	3	
20	90480-22M81-00	GROMMET	8	

CONTINUED ON NEXT FRAME >


6LH1100-X250

BOTTOM COWLING 1

Ref No.	Part Number	Description	Qty	Remarks
21	90387-08M37-00	COLLAR	4	
22	90119-08187-00	BOLT, WITH WASHER	4	
23	6DA-42717-01-00	RUBBER, SEAL 2	4	
24	6DA-42384-00-00	SEAL, CAP	4	
25	6H4-42748-01-00	GROMMET	4	
26	6P2-44391-00-00	NIPPLE, HOSE	2	
27	6KA-42727-00-00	GROMMET	1	
28	90480-13163-00	GROMMET	1	
29	68F-42753-00-00	FASTNER	1	AP
30	90464-20258-00	CLAMP	1	AP
31	6EE-42794-41-00	LABEL, WARNING (GENERAL)	1	
32	6EE-42794-51-00	LABEL, WARNING (GENERAL)	1	
33	6AH-81996-01-00	MARK	1	




 6LH1100-X250