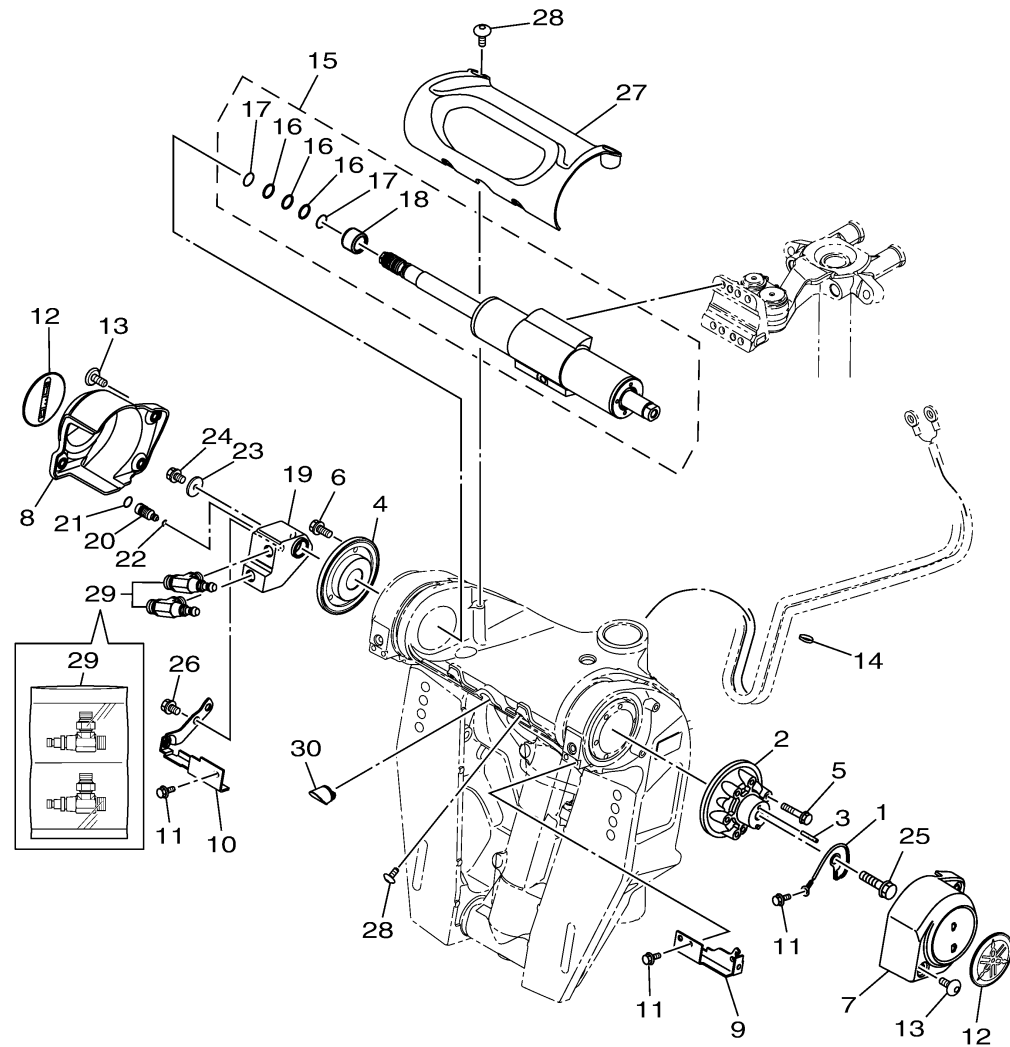


BRACKET 3

| Ref No. | Part Number | Description | Qty | Remarks |
|---------|-----------------|-------------------------------|-----|---------|
| 1 | 6LH-82147-00-00 | WIRE, LEAD 5 | 1 | |
| 2 | 6LH-43341-00-00 | COVER, SWIVEL SIDE 1 | 1 | |
| 3 | 91690-40025-00 | PIN, SPRING | 1 | |
| 4 | 6LH-43342-00-00 | COVER, SWIVEL SIDE 2 | 1 | |
| 5 | 90119-06323-00 | BOLT, WITH WASHER | 6 | |
| 6 | 97E75-06520-00 | BOLT, HEXAGON W/W DEEP RECESS | 3 | |
| 7 | 6LP-43381-00-8D | COVER, 2 | 1 | |
| 8 | 6LP-43382-00-8D | COVER, 3 | 1 | |
| 9 | 6LP-44526-00-00 | PLATE | 1 | |
| 10 | 6LP-44536-00-00 | PLATE 2 | 1 | |
| 11 | 97E95-06512-00 | BOLT, HEXAGON W/W DEEP RECESS | 3 | |
| 12 | 6DA-42697-00-00 | TUNING FORK MARK | 2 | |
| 13 | 90111-06144-00 | BOLT, HEXAGON SOCKET BUTTON | 6 | |
| 14 | 90465-11M10-00 | .CLAMP | 1 | |
| 15 | 6LP-61501-00-00 | STEERING CYLINDER ASSY | 1 | |
| 16 | 93210-15414-00 | .O-RING | 3 | |
| 17 | 6LH-2312B-00-00 | .RING, BACK UP | 2 | |
| 18 | 6LH-22253-00-00 | .COLLAR, DISTANCE | 1 | |
| 19 | 6LP-22954-00-00 | ADAPTER | 1 | |
| 20 | 6LH-22447-00-00 | NEEDLE, VALVE | 1 | |

CONTINUED ON NEXT FRAME >




6LP1100-X300

BRACKET 3

| Ref No. | Part Number | Description | Qty | Remarks |
|---------|-----------------|-------------------------------|-----|---------|
| 21 | 93210-10107-00 | O-RING | 1 | |
| 22 | 93210-03494-00 | O-RING | 1 | |
| 23 | 6LH-43627-00-00 | STOPPER | 1 | |
| 24 | 97D95-06008-00 | BOLT, HEXAGON DEEP RECESS | 1 | |
| 25 | 90119-10058-00 | BOLT, WITH WASHER | 1 | |
| 26 | 97E95-06512-00 | BOLT, HEXAGON W/W DEEP RECESS | 2 | |
| 27 | 6LH-43318-00-8D | COVER | 1 | |
| 28 | 90111-06144-00 | BOLT, HEXAGON SOCKET BUTTON | 4 | |
| 29 | 6LW-61385-00-00 | FITTING, HOSE | 1 | |
| 30 | 6LH-43885-00-00 | GROMMET | 1 | |

