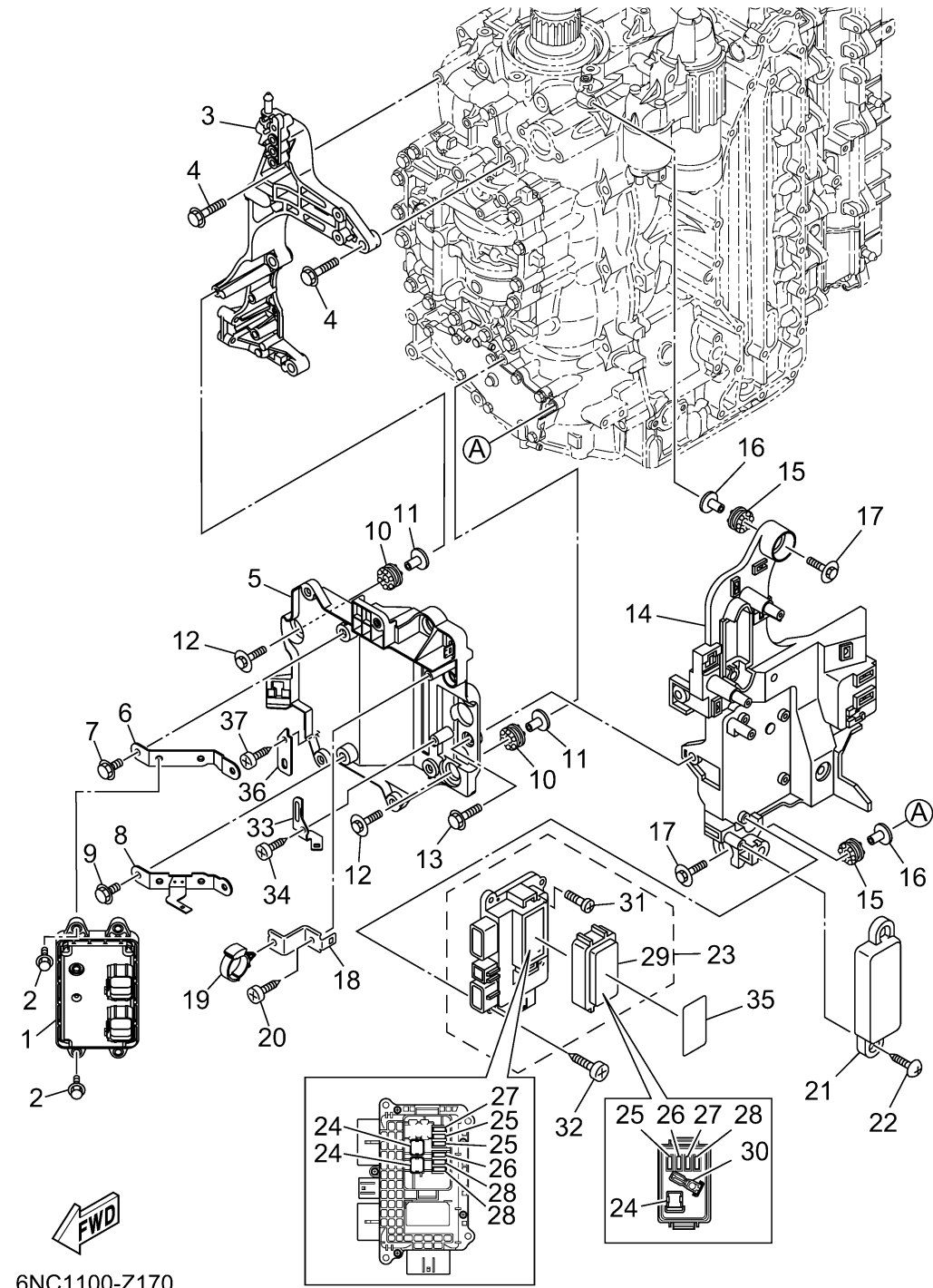


ELECTRICAL 1



Ref No.	Part Number	Description	Qty	Remarks
1	6NB-8591A-00-00	ENGINE CONTROL UNIT ASSY	1	
2	95D95-06020-00	BOLT, FLANGE DEEP RECESS	4	
3	6DA-85991-01-00	BRACKET, UNIT	1	
4	95D75-08035-00	BOLT, FLANGE DEEP RECESS	4	
5	6NC-81948-00-00	BRACKET	1	
6	6NC-8375E-00-00	PLATE 1	1	
7	95D95-06012-00	BOLT, FLANGE DEEP RECESS	2	
8	6NC-8375F-00-00	PLATE 2	1	
9	95D95-06012-00	BOLT, FLANGE DEEP RECESS	2	
10	68F-85516-01-00	SPACER	3	
11	90387-06176-00	COLLAR	3	
12	90119-06328-00	BOLT, WITH WASHER	3	
13	95D95-06016-00	BOLT, FLANGE DEEP RECESS	2	
14	6DA-81952-10-00	HOLDER, RELAY	1	
15	68F-85516-01-00	SPACER	3	
16	90387-06176-00	COLLAR	3	
17	90119-06328-00	BOLT, WITH WASHER	3	
18	6DA-85548-01-00	HOLDER	1	
19	90464-12183-00	CLAMP	1	
20	97780-60620-00	SCREW, TAPPING	1	

CONTINUED ON NEXT FRAME >

ELECTRICAL 1

Ref No.	Part Number	Description	Qty	Remarks
21	6DA-8252U-01-00	COVER	1	
22	90169-05M00-00	SCREW, TRUSS HEAD TAPPING	2	
23	6DA-82170-12-00	FUSE BOX ASSY	1	
24	6CB-82151-41-00	. . FUSE (60A)	3	
25	6CB-82151-00-00	. . FUSE (10A)	3	
26	6CB-82151-10-00	. . FUSE (15A)	2	
27	6CB-82151-20-00	. . FUSE (20A)	2	
28	6CB-82151-30-00	. . FUSE (30A)	3	
29	6CB-85544-10-00	. . COVER	1	
30	6CB-2812A-00-00	. . PULLER, FUSE	1	
31	6P2-82113-00-00	. . SCREW (M3)	5	
32	97780-50620-00	SCREW, TAPPING	4	
33	6NC-8257V-00-00	PLATE, CONNECTOR	1	
34	97780-60620-00	SCREW, TAPPING	1	
35	6LW-81919-00-00	GRAPHIC, REGULATOR	1	
36	6NC-85372-00-00	STAY, RESISTOR	1	
37	97780-60620-00	SCREW, TAPPING	1	

