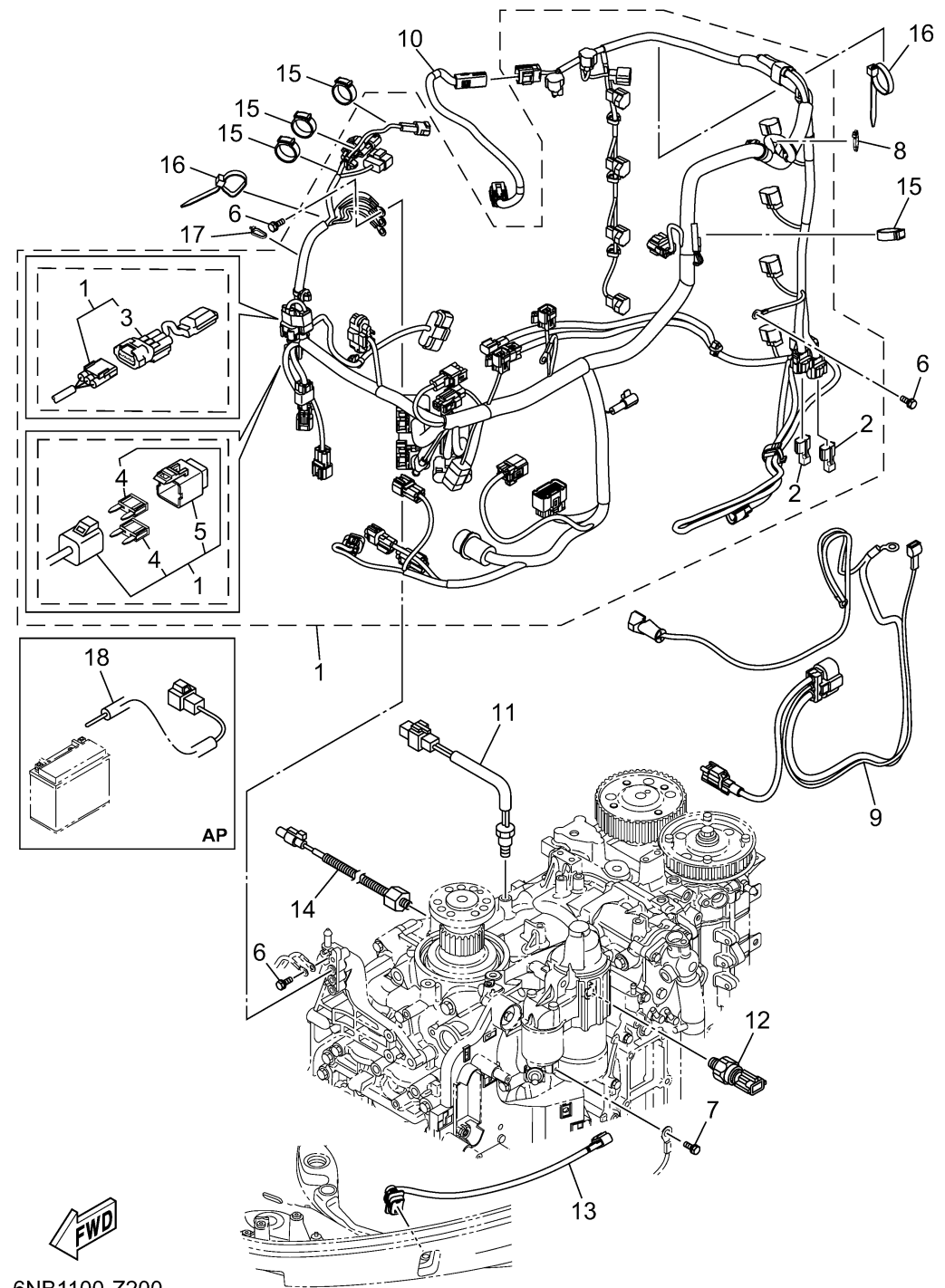


# ELECTRICAL 4



Ref No.	Part Number	Description	Qty	Remarks
1	6NB-82590-00-00	WIRE HARNESS ASSY	1	
2	6AW-82582-00-00	..CAP 1	2	
3	6FM-81980-01-00	..DIODE ASSY	1	
4	67F-82151-20-00	..FUSE (5A)	2	
5	69J-8215B-00-00	..CAP (BROWN)	1	
6	97E95-06516-00	BOLT, HEXAGON W/W DEEP RECESS	5	
7	97985-04308-00	SCREW, WITH WASHER	1	
8	90465-11M59-00	CLAMP	1	
9	6NC-8259M-00-00	WIRE HARNESS ASSY 2	1	
10	6DA-82553-00-00	EXTENSION, WIRE LEAD	1	
11	6CB-85790-00-00	THERMOSENSOR ASSY	1	
12	6AW-83651-01-00	SENDER, OIL PRESSURE	1	
13	6FM-82563-01-00	TRIM & TILT SWITCH ASSY	1	
14	6CJ-85780-02-00	SENSOR, KNOCK	1	
15	90464-26001-00	CLAMP	4	
16	90464-15195-00	CLAMP	2	
17	90465-13M97-00	CLAMP	1	
18	69J-81949-03-00	WIRE, LEAD (ISOLATOR, 3.8M )	1	AP