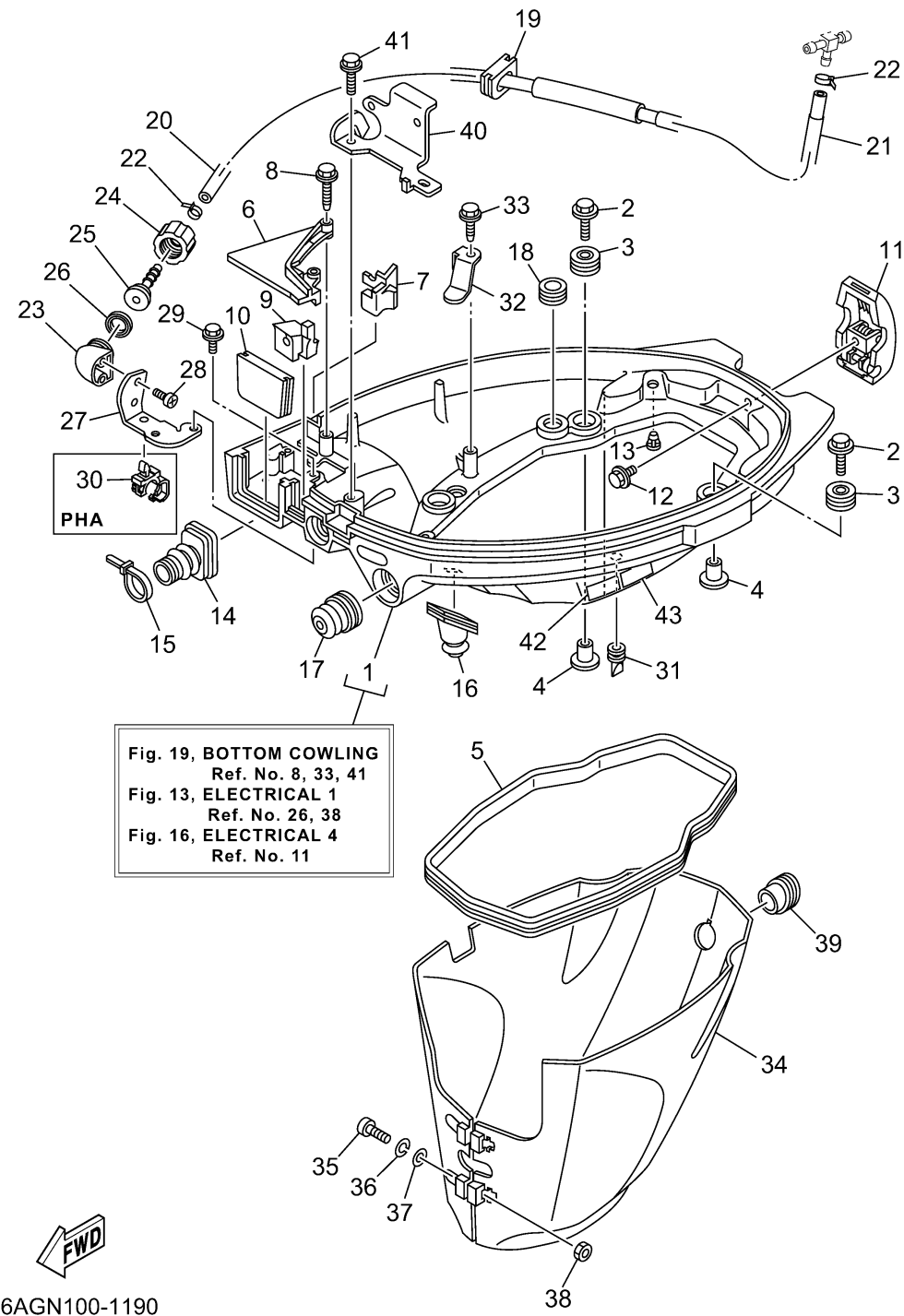


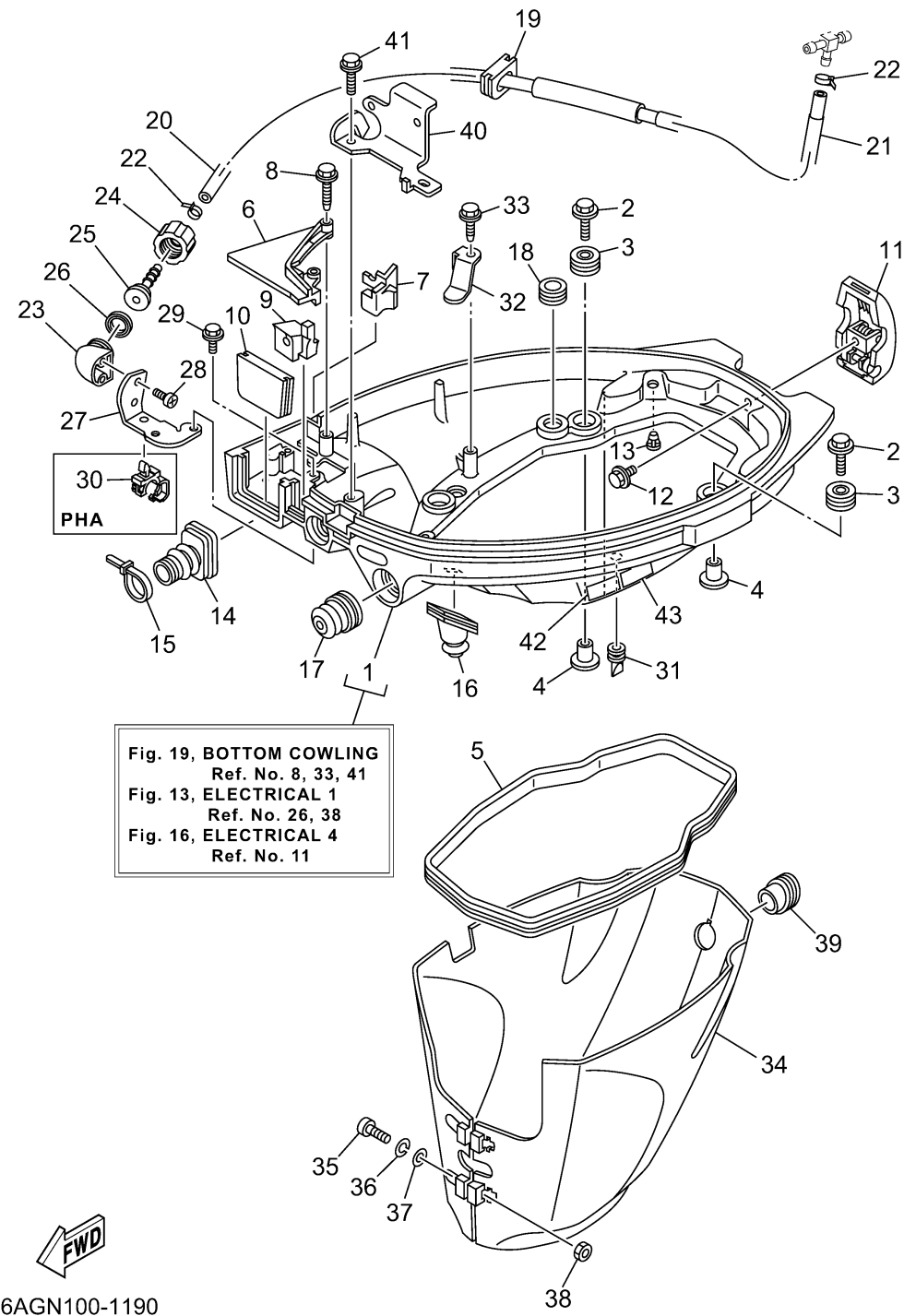
BOTTOM COWLING



Ref No.	Part Number	Description	Qty	Remarks
1	6AH-42710-20-8D	BOTTOM COWLING ASSY	1	
1	6AH-42710-30-8D	BOTTOM COWLING ASSY	0	
2	90119-06291-00	BOLT, WITH WASHER	4	
3	90480-21M82-00	GROMMET	4	
4	90387-06176-00	COLLAR	4	
5	6AH-42716-00-00	RUBBER SEAL 1	1	
6	6AH-42738-00-8D	PLATE, FITTING	1	
7	6AH-42718-01-00	RUBBER, SEAL 3	1	
8	90109-06M82-00	BOLT	2	
9	6AH-42725-01-00	GROMMET	1	
9	6AH-42725-11-00	GROMMET	0	
10	6AH-42724-01-00	GROMMET	1	
11	6AH-42801-00-00	COWLING CLAMP COMP.	1	
12	97E95-06512-00	BOLT, HEXAGON W/W DEEP RECESS	1	
13	6BL-44391-00-00	NIPPLE, HOSE	1	
14	6AH-26326-01-00	GROMMET	1	
15	90465-11M10-00	CLAMP	1	
16	6AH-42727-01-00	GROMMET	1	
17	65W-42726-01-00	GROMMET	1	
18	90480-16007-00	GROMMET	1	

CONTINUED ON NEXT FRAME >

BOTTOM COWLING

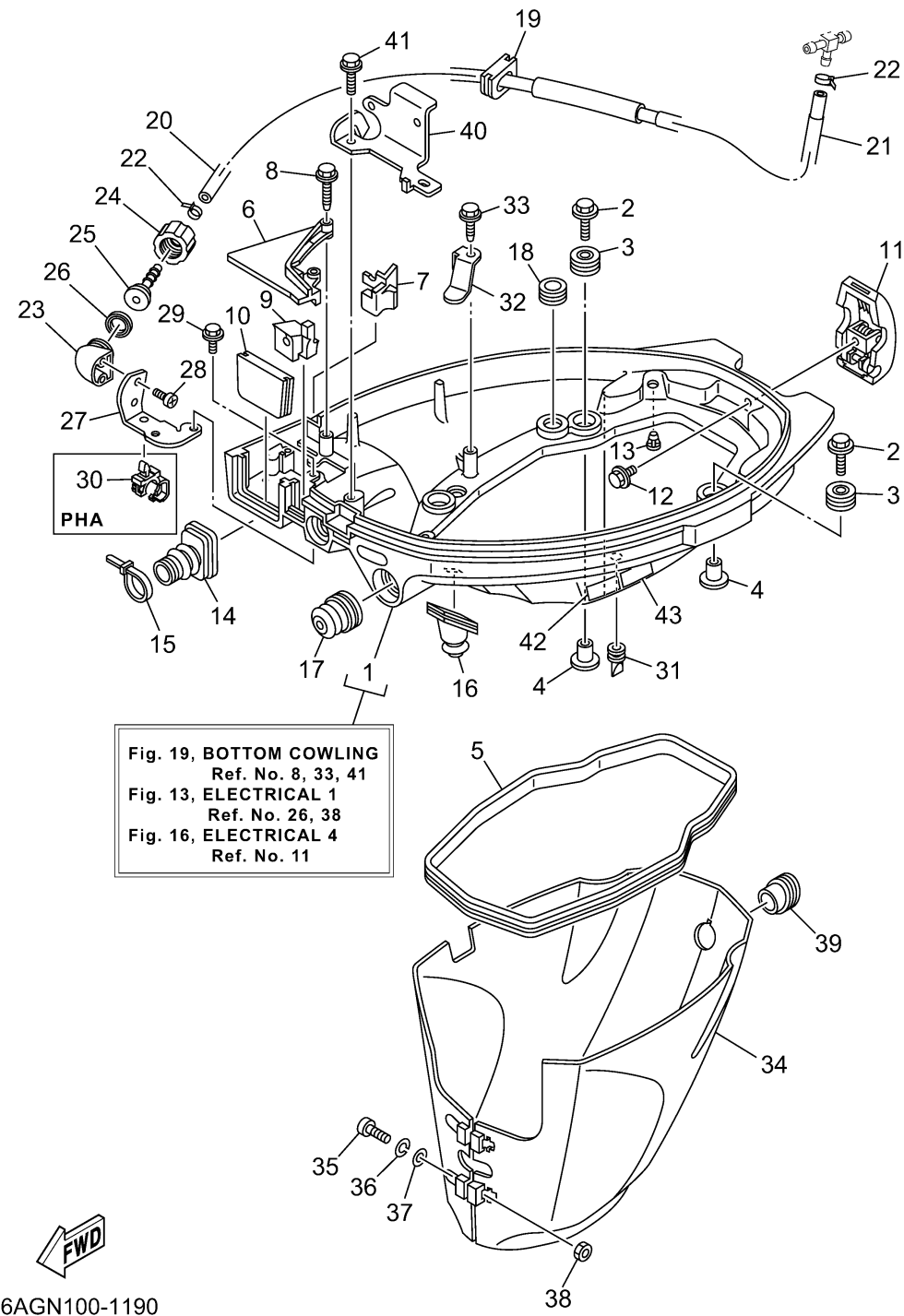


Ref No.	Part Number	Description	Qty	Remarks
19	6AH-42726-01-00	GROMMET	1	
20	6AH-24314-01-00	PIPE 4	1	
21	90445-15003-00	HOSE (L230)	1	
22	90465-11M10-00	CLAMP	2	
23	6DR-12572-00-00	ADAPTER	1	
24	6R3-12581-10-00	JOINT, HOSE 1	1	
25	6R3-12582-00-00	JOINT, HOSE 2	1	
26	6R3-12583-10-00	GASKET, HOSE JOINT	1	
27	6AH-12535-00-00	PLATE	1	
28	90167-06002-00	SCREW, TAPPING	2	
29	97E95-06510-00	BOLT, HEXAGON W/W DEEP RECESS	2	
30	90464-12M58-00	CLAMP	0	
31	65W-42717-00-00	RUBBER, SEAL 2	2	
32	6AH-42743-00-00	BRACKET	1	
33	90109-06M86-00	BOLT	1	
34	6AH-42741-00-00	APRON, 1	1	
35	97885-06030-00	SCREW, PAN HEAD	2	
36	92995-06100-00	WASHER, SPRING	2	
37	92995-06600-00	WASHER	2	
38	95380-06600-00	.NUT, HEXAGON	2	

CONTINUED ON NEXT FRAME >

6AGN100-1190

BOTTOM COWLING



Ref No.	Part Number	Description	Qty	Remarks
39	6AH-42717-01-00	RUBBER, SEAL 2	1	
40	6AH-15774-00-00	STAY 4	1	
41	90109-06M86-00	BOLT	1	
42	6EE-42794-41-00	LABEL, WARNING (GENERAL)	1	
43	6EE-42794-51-00	LABEL, WARNING (GENERAL)	1	

6AGN100-1190