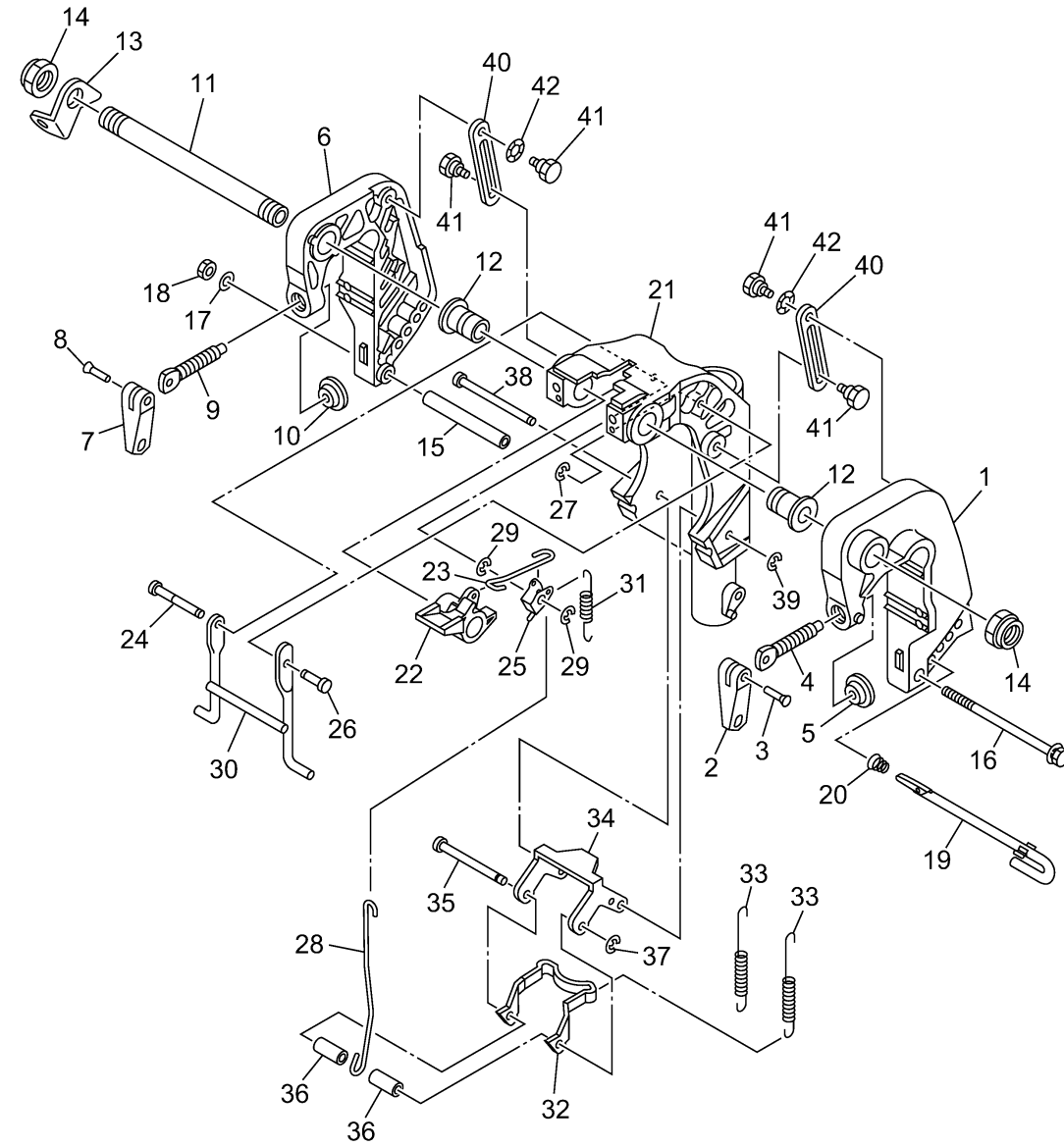


BRACKET 1

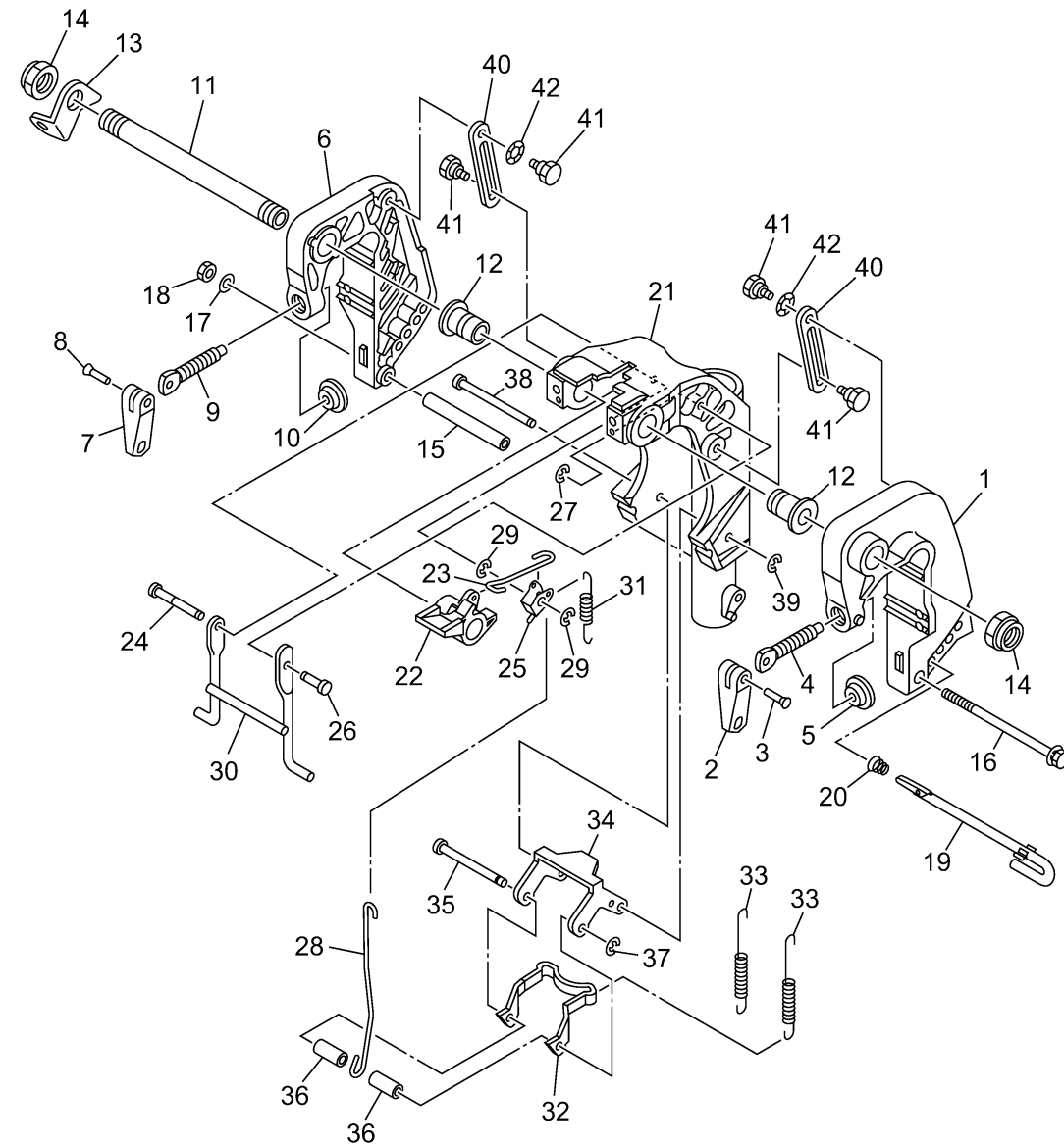


Ref No.	Part Number	Description	Qty	Remarks
1	6AH-43111-00-8D	BRACKET, CLAMP 1	1	
2	6E0-43118-01-00	HANDLE, TRANSOM CLAMP	1	
3	90243-04M01-00	PIN	1	
4	6E7-43116-00-00	SCREW, TRANSOM CLAMP	1	
5	648-43114-01-00	PAD, TRANSOM CLAMP	1	
6	6AH-43112-00-8D	BRACKET, CLAMP 2	1	
7	6E0-43118-01-00	HANDLE, TRANSOM CLAMP	1	
8	90243-04M01-00	PIN	1	
9	6E7-43116-00-00	SCREW, TRANSOM CLAMP	1	
10	648-43114-01-00	PAD, TRANSOM CLAMP	1	
11	63W-43131-01-00	BOLT, CLAMP BRACKET	1	
12	90386-22MA4-00	BUSH	2	
13	66R-43113-00-00	PLATE, CLAMP BRACKET	1	
14	90185-22043-00	NUT, SELF-LOCKING	2	
15	90387-06369-00	COLLAR	1	
16	90101-06M18-00	BOLT	1	
17	92995-06600-00	WASHER	1	
18	95380-06700-00	NUT	1	
19	6L2-43160-01-00	TILT ROD ASSY	1	
20	90502-10M07-00	SPRING, CONICAL	1	

CONTINUED ON NEXT FRAME >



6AGL100-Y230



6AGL100-Y230

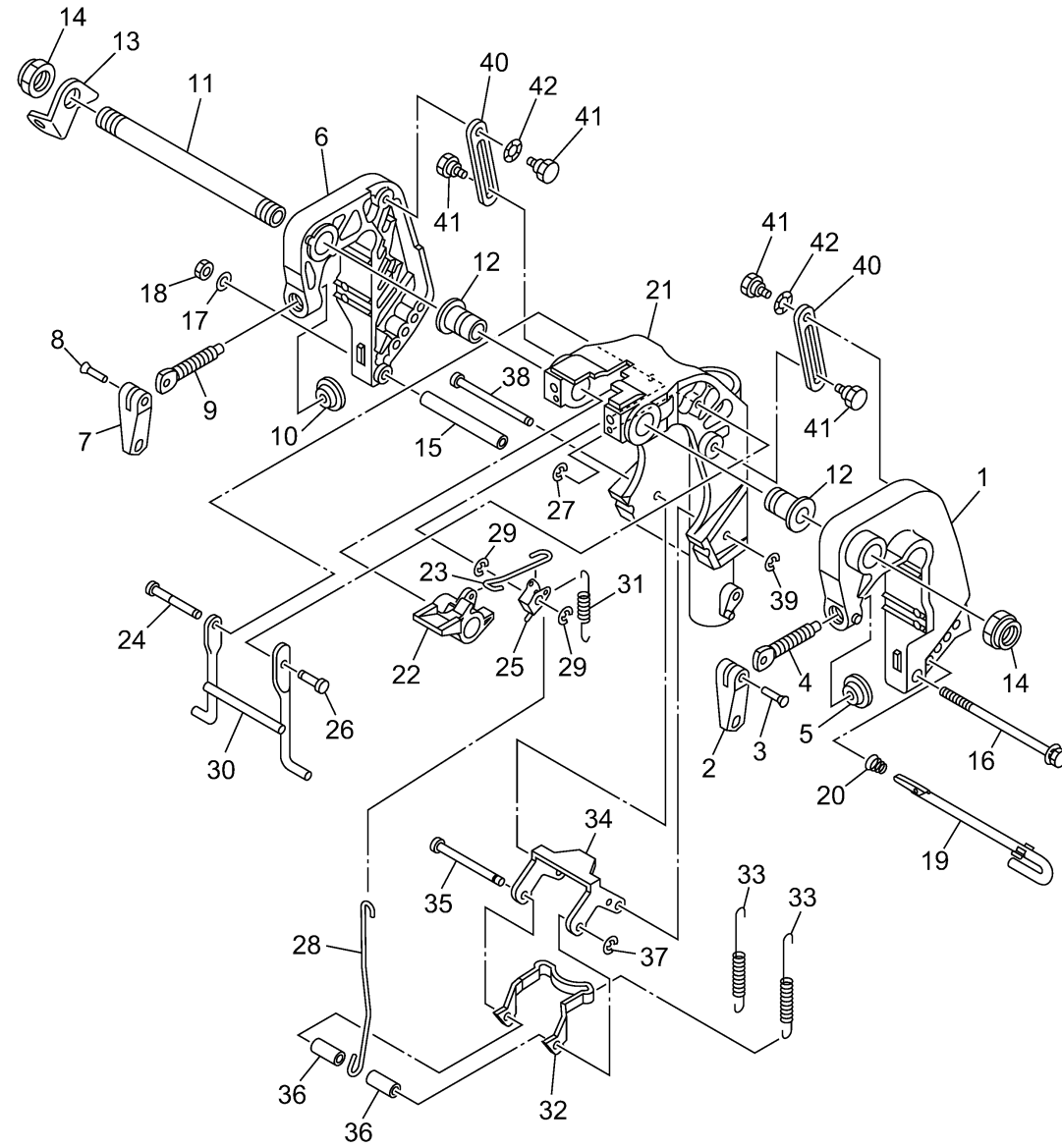
BRACKET 1

Ref No.	Part Number	Description	Qty	Remarks
21	6AH-43311-00-8D	BRACKET, SWIVEL 1	1	S(17.1")
21	6AH-43311-10-8D	BRACKET, SWIVEL 1	0	L(22.1")
22	6DR-43631-00-00	LEVER, TILT	1	
23	6DR-43616-00-00	ROD, TILT LOCK	1	
24	6AH-43646-10-00	SHAFT, LEVER	1	
25	6DR-43641-00-00	LEVER, TILT	1	
26	6AH-43191-10-00	SHAFT, STOPPER	1	
27	99080-05600-00	CIRCLIP	1	
28	6AH-43617-00-00	ROD, TILT LOCK	1	
29	99080-05600-00	CIRCLIP	2	
30	6AH-43350-00-00	RECEIVER ASSY	1	
31	90506-18014-00	SPRING, TENSION	1	
32	6AH-43614-00-00	PLATE, TILT LOCK	1	
33	90506-20020-00	SPRING, TENSION	2	
34	6AH-43615-00-00	PLATE, TILT LOCK	1	
35	68T-43611-00-00	SHAFT, TILT LOCK	1	
36	90387-06138-00	COLLAR	2	
37	93430-04M03-00	CIRCLIP	1	
38	68T-43659-00-00	SHAFT, REVERSE LOCK	1	
39	99080-05600-00	CIRCLIP	1	

CONTINUED ON NEXT FRAME >

BRACKET 1

Ref No.	Part Number	Description	Qty	Remarks
40	6AH-43627-00-00	STOPPER	2	
41	90109-06M84-00	BOLT	4	
42	90206-10M24-00	WASHER, WAVE	2	



6AGL100-Y230