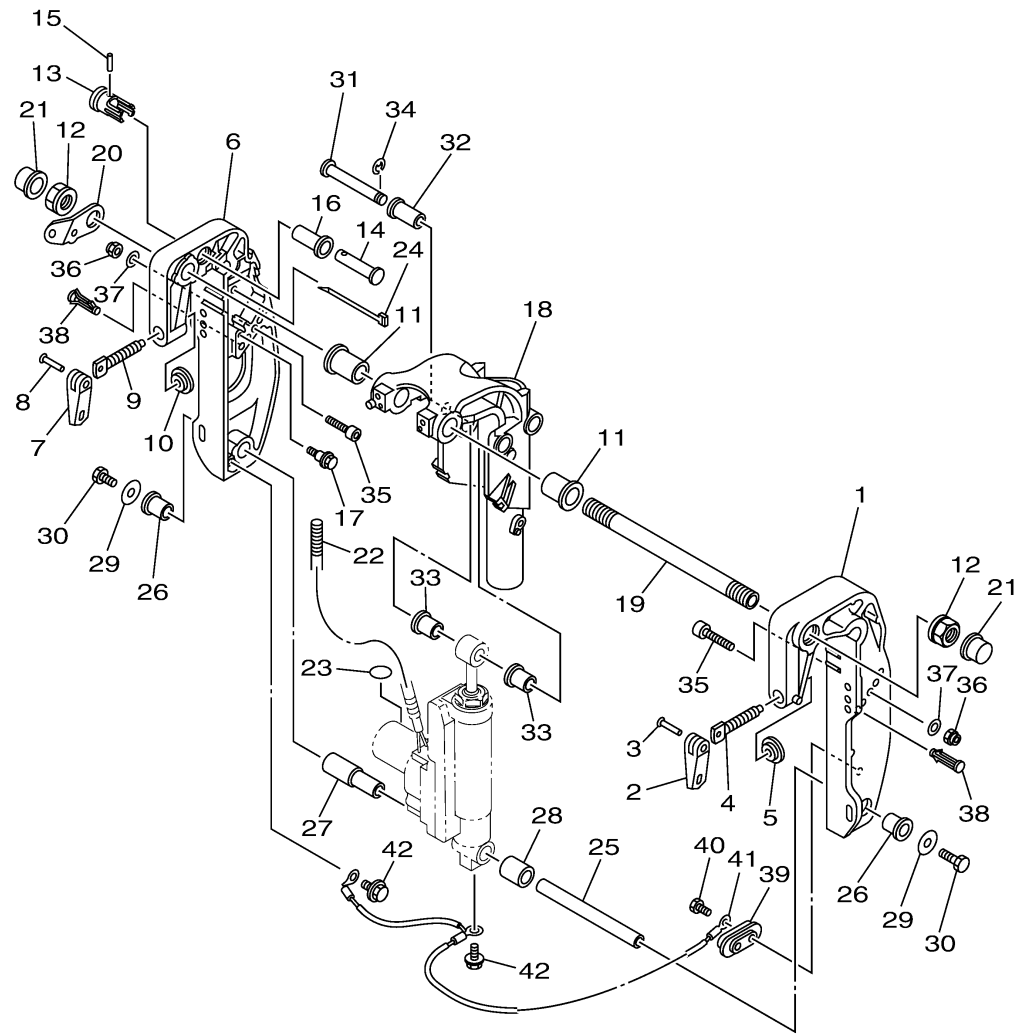


BRACKET 2

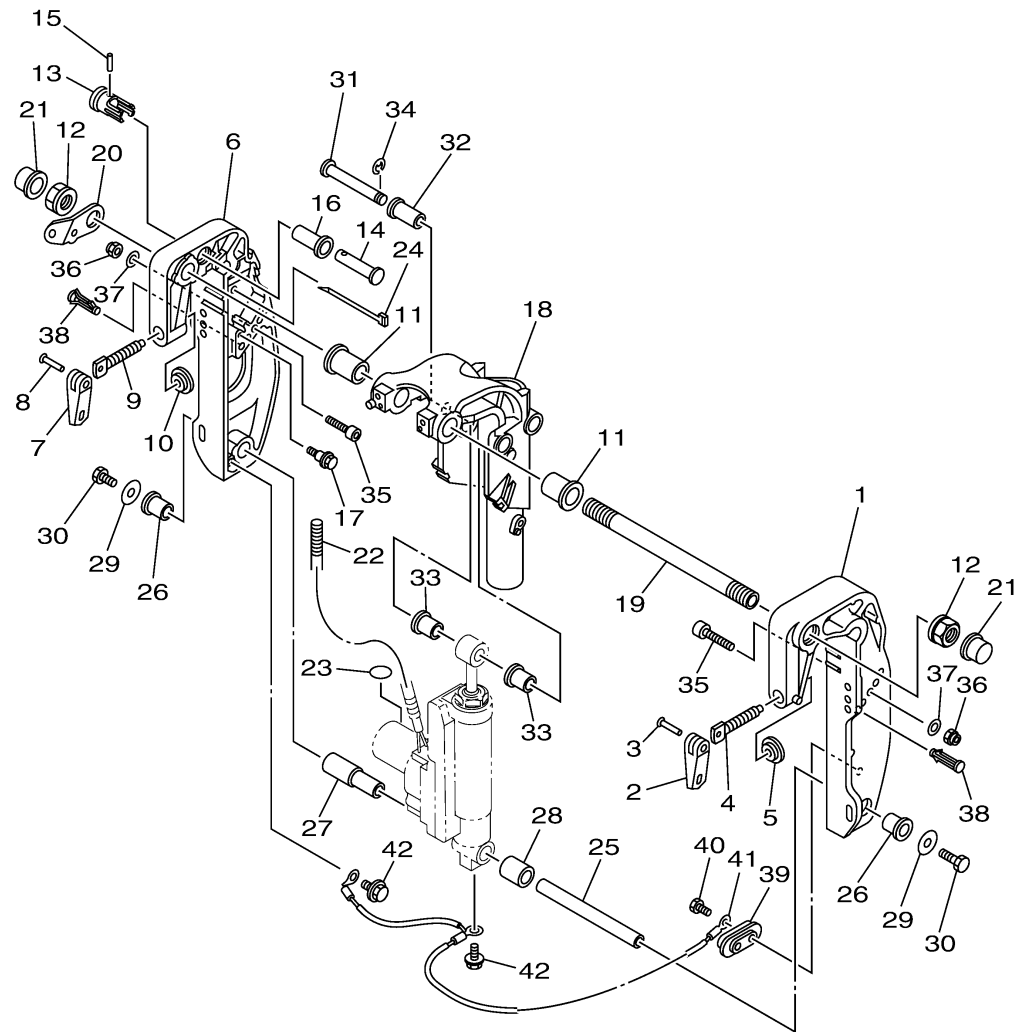


| Ref No. | Part Number | Description | Qty | Remarks |
|---------|-----------------|-----------------------|-----|--------------------|
| 1 | 69A-43111-01-8D | BRACKET, CLAMP 1 | 0 | |
| 2 | 6E0-43118-01-00 | HANDLE, TRANSOM CLAMP | 0 | |
| 3 | 90243-04M01-00 | PIN | 0 | |
| 4 | 6E7-43116-00-00 | SCREW, TRANSOM CLAMP | 0 | |
| 5 | 648-43114-01-00 | PAD, TRANSOM CLAMP | 0 | |
| 6 | 69A-43112-02-8D | BRACKET, CLAMP 2 | 0 | |
| 7 | 6E0-43118-01-00 | HANDLE, TRANSOM CLAMP | 0 | |
| 8 | 90243-04M01-00 | PIN | 0 | |
| 9 | 6E7-43116-00-00 | SCREW, TRANSOM CLAMP | 0 | |
| 10 | 648-43114-01-00 | PAD, TRANSOM CLAMP | 0 | |
| 11 | 90386-22MA4-00 | BUSH | 0 | |
| 12 | 90185-22043-00 | NUT, SELF-LOCKING | 0 | |
| 13 | 6FM-43192-00-00 | KNOB, STOPPER | 0 | |
| 14 | 65W-43191-00-00 | SHAFT, STOPPER | 0 | |
| 15 | 91690-30018-00 | PIN, SPRING | 0 | |
| 16 | 6FM-43189-00-00 | BUSHING | 0 | |
| 17 | 90109-06MA1-00 | BOLT | 0 | |
| 18 | 69A-43311-11-8D | BRACKET, SWIVEL 1 | 0 | L(22.1") |
| 19 | 69A-43131-00-00 | BOLT, CLAMP BRACKET | 0 | FOR REMOTE CONTROL |
| 20 | 69A-43113-00-00 | PLATE, CLAMP BRACKET | 0 | |

CONTINUED ON NEXT FRAME >


6AGG100-V240

BRACKET 2



| Ref No. | Part Number | Description | Qty | Remarks |
|---------|-----------------|---------------------------|-----|---------|
| 21 | 6G5-43145-01-00 | CAP, CLAMP BRACKET | 0 | |
| 22 | 90446-14MH7-00 | HOSE (L560) | 0 | |
| 23 | 69A-43155-00-00 | MARK 1 | 0 | |
| 24 | 90465-13M97-00 | CLAMP | 0 | |
| 25 | 69G-43818-00-00 | PIN, LOWER SHOCK MOUNT | 0 | |
| 26 | 90386-16MA7-00 | BUSH | 0 | |
| 27 | 90386-16MA8-00 | BUSH | 0 | |
| 28 | 90387-16M02-00 | COLLAR | 0 | |
| 29 | 90201-08M00-00 | WASHER, PLATE | 0 | |
| 30 | 97080-08016-00 | BOLT | 0 | |
| 31 | 90249-12M36-00 | PIN | 0 | |
| 32 | 90381-12M10-00 | BUSH, SOLID | 0 | |
| 33 | 90381-12M11-00 | BUSH, SOLID | 0 | |
| 34 | 99080-10600-00 | CIRCLIP | 0 | |
| 35 | 90110-08121-00 | BOLT, HEXAGON SOCKET HEAD | 0 | |
| 36 | 90185-08057-00 | NUT, SELF-LOCKING | 0 | |
| 37 | 92990-08600-00 | WASHER, PLATE | 0 | |
| 38 | 90338-08M19-00 | PLUG | 0 | |
| 39 | 65W-45251-00-00 | ANODE | 0 | |
| 40 | 90101-06020-00 | BOLT | 0 | |

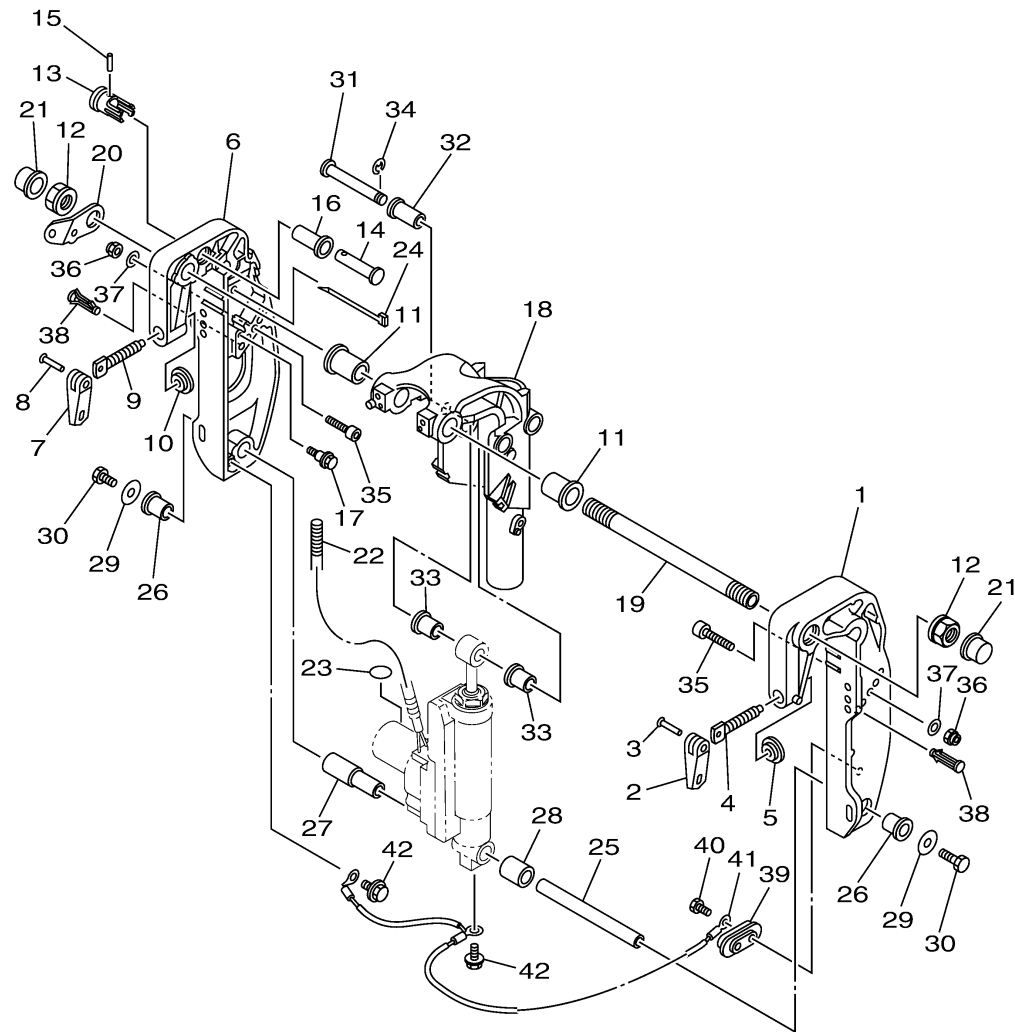
CONTINUED ON NEXT FRAME >



6AGG100-V240

BRACKET 2

| Ref No. | Part Number | Description | Qty | Remarks |
|---------|-----------------|-------------------------------|-----|---------|
| 41 | 63V-82127-00-00 | WIRE, LEAD 2 | 0 | |
| 42 | 97E95-06510-00 | BOLT, HEXAGON W/W DEEP RECESS | 0 | |



6AGG100-V240