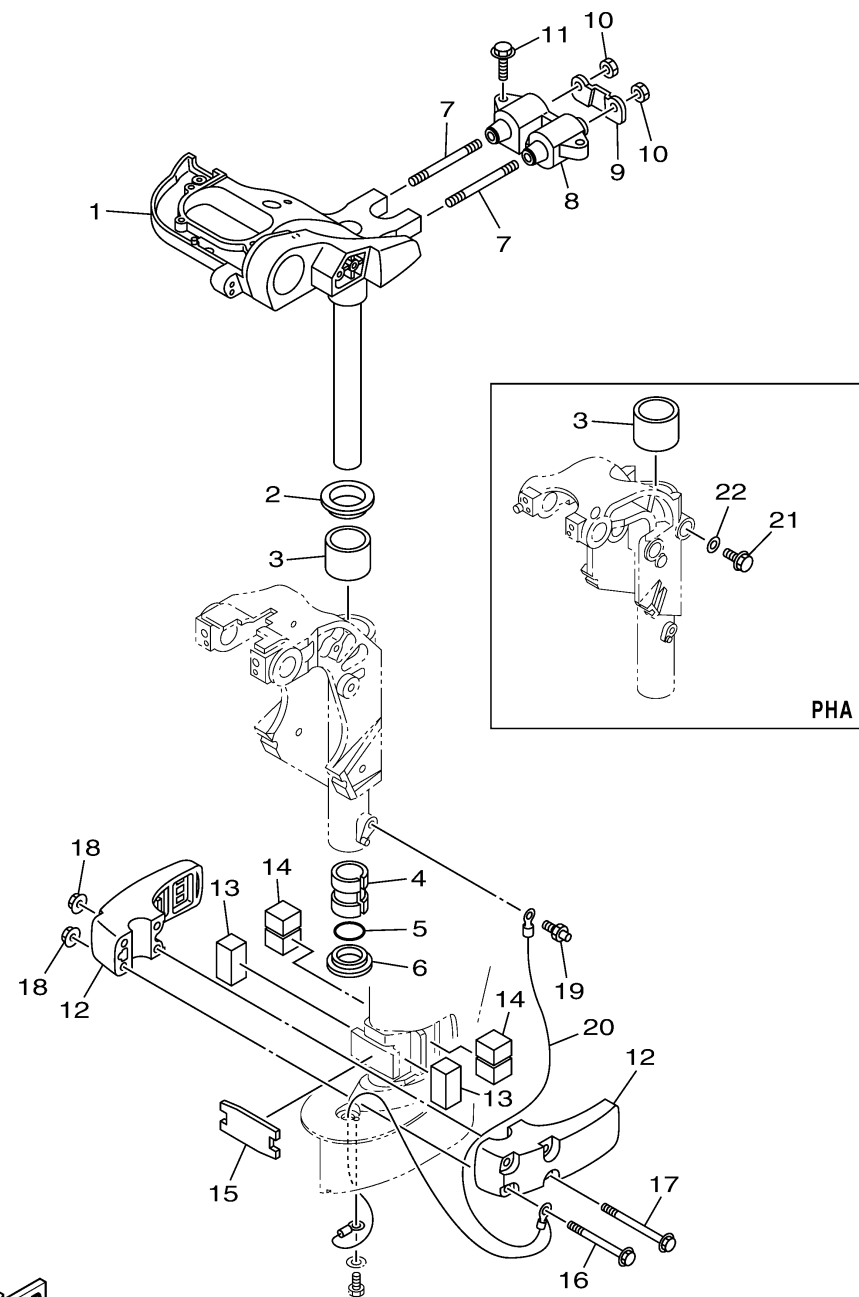



 6AGD100-S250

BRACKET 3

Ref No.	Part Number	Description	Qty	Remarks
1	6AH-42510-00-8D	STEERING BRACKET ASSY	1	S(17.1")
1	6AH-42510-10-8D	STEERING BRACKET ASSY	0	L(22.1")
2	90209-40008-00	WASHER	1	
3	90386-40001-00	BUSH	1	
4	90386-30048-00	BUSH	1	
5	93210-29M94-00	O-RING	1	
6	90386-30M60-00	BUSH	1	
7	90116-10033-00	BOLT, STUD	2	
8	6AH-44514-00-00	MOUNT DAMPER, UPPER SIDE	1	
9	6AH-44526-00-00	PLATE	1	
10	95380-10600-00	NUT	2	
11	90119-08094-00	BOLT, WITH WASHER	2	
12	6AH-44551-A0-8D	HOUSING, LOWER MOUNT RUBBER 1	2	
13	6AH-44557-00-00	MOUNT DAMPER, LOWER FRONT	2	
14	6AH-44555-00-00	MOUNT DAMPER, LOWER SIDE	2	
15	6AH-44574-00-00	STOPPER, LOWER MOUNT RUBBER	1	
16	90119-08206-00	BOLT, WITH WASHER	2	
17	90119-08207-00	BOLT, WITH WASHER	2	
18	90179-08M34-00	NUT	4	
19	93700-06004-00	NIPPLE, GREASE	1	

CONTINUED ON NEXT FRAME >



6AGD100-S250

BRACKET 3

Ref No.	Part Number	Description	Qty	Remarks
20	6AH-82127-00-00	WIRE, LEAD 2	1	
20	6AH-82127-11-00	WIRE, LEAD 2	0	L(22.1")
21	97E95-06514-00	BOLT, HEXAGON W/W DEEP RECESS	0	
22	92995-06600-00	WASHER	0	